

ASSEMBLY INSTRUCTIONS

Description: Ventura Lounge


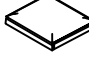


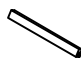
Important safety instructions:

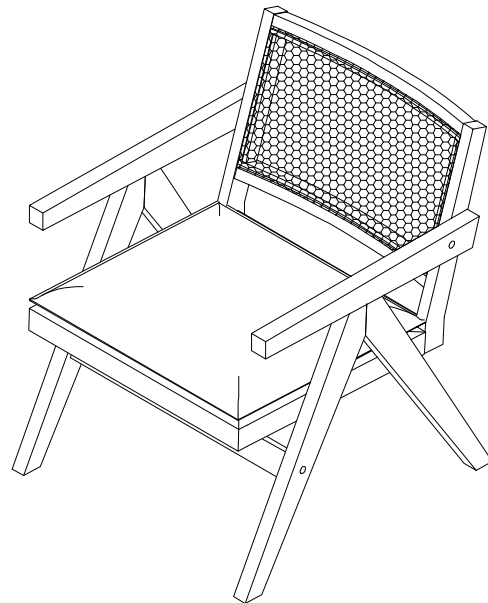
- Please read carefully all instructions before assembly.
- For your safety and ease, assembly by two or more adults is recommended.
- Keep instructions for future use.

Pre-assembly:





- Do not discard any content until assembly is complete to avoid accidentally discarding small parts or hardware.
- Take out all parts and hardware from box.

Parts List

Item	Description	QTY
P1	Back Frame 	1
P2	Seat cushion 	1
P3	Right Arm 	1
P4	Left Arm 	1
P5	Front Stretcher 	1



Hardware List

Item	Description	QTY
H1	Bolts $\varnothing 1/4'' \times 1-1/2''$ 	10
H2	Lock Washers 1/4" 	10
H3	Big flat washers 1/4" (19mm) 	4
H4	Small flat washers 1/4" (12mm) 	6
H5	Allen Wrench 1/4" 	1
H6	Wooden Plugs 	6

DISCLAIMER:

WHEN PROPERLY ASSEMBLED, THIS ITEM IS SAFE FOR INTENDED USE. SELLER IS NOT LIABLE FOR ANY DAMAGES RESULTING FROM ITEM BEING IMPROPERLY ASSEMBLED AFTER PURCHASE.

Assembly Procedures:

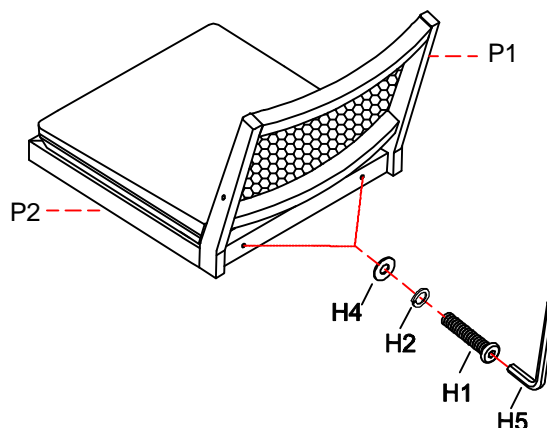
Step 1. Assemble the lounge on a flat, soft surface such as a carpet or cloth to prevent scratching the finish. Attach seat cushion (P2) to back frame (P1) as shown below. Loosely tighten the bolts with Allen wrench (H5).

(H1)x2 Bolts $\varnothing 1/4'' \times 1-1/2''$ 

(H2)x2 Lock Washers 1/4" 

(H4)x2 Small flat washers 1/4" (12mm) 

(H5)x1 Allen Wrench 1/4" 



Step 2. Loosely attach left arm (P4) to seat cushion (P2) and back frame (P1) as shown below. Loosely tighten the bolts with Allen wrench (H5).

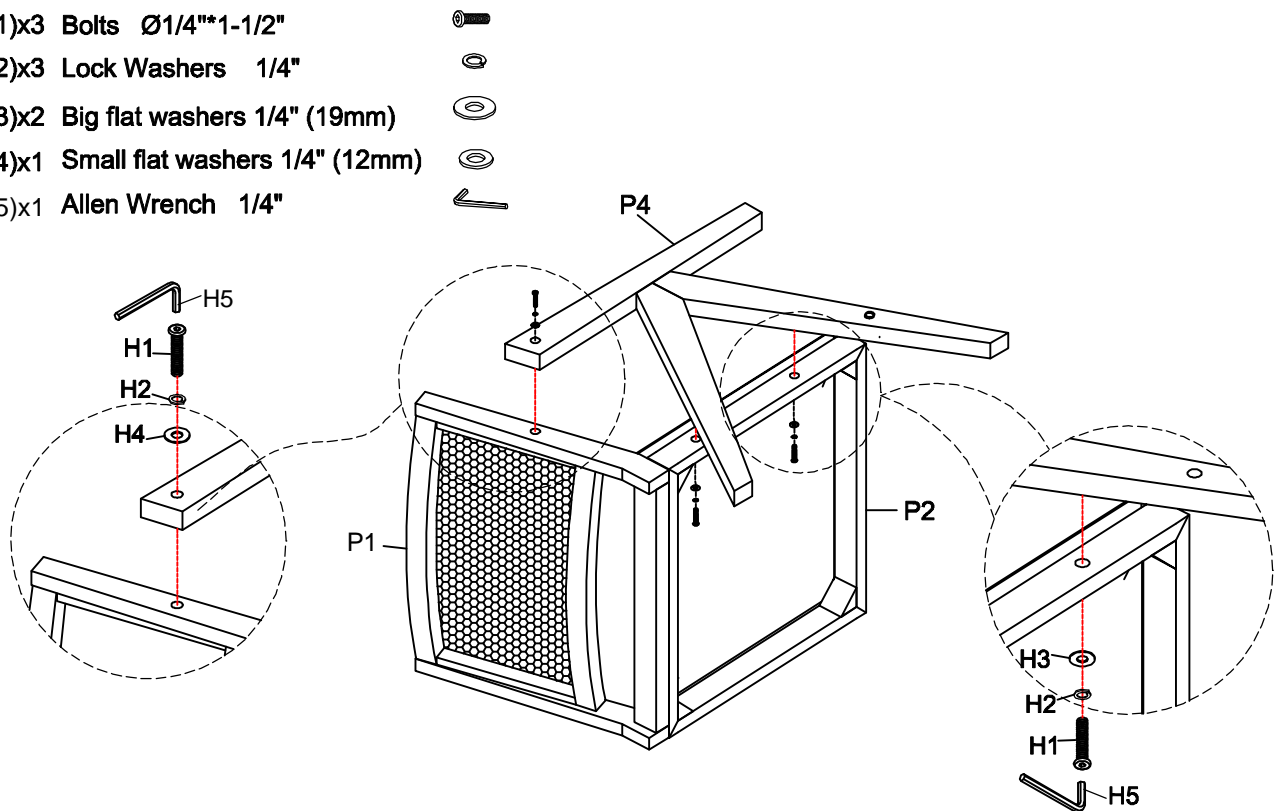
(H1)x3 Bolts $\text{\O}1/4'' \times 1-1/2''$

(H2)x3 Lock Washers 1/4"

(H3)x2 Big flat washers 1/4" (19mm)

(H4)x1 Small flat washers 1/4" (12mm)

(H5)x1 Allen Wrench 1/4"



Step 3.

- 1) Insert the dowels on the ends of front stretcher (P5), then attach the front stretcher (P5) between right arm (P3) and left arm (P4).
- 2) Loosely tighten right arm (P3) to the front stretcher (P5), seat cushion (P2) and back frame (P1) as shown below.

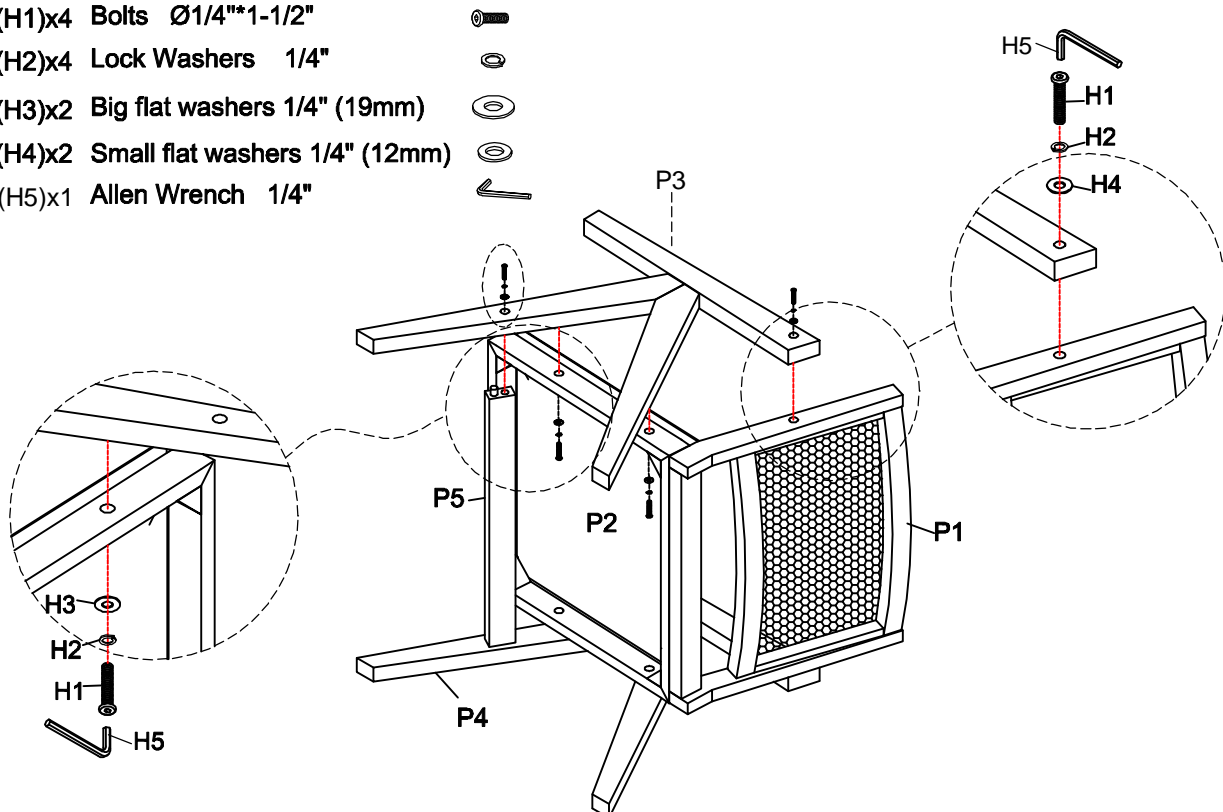
(H1)x4 Bolts $\text{\O}1/4'' \times 1-1/2''$

(H2)x4 Lock Washers 1/4"

(H3)x2 Big flat washers 1/4" (19mm)

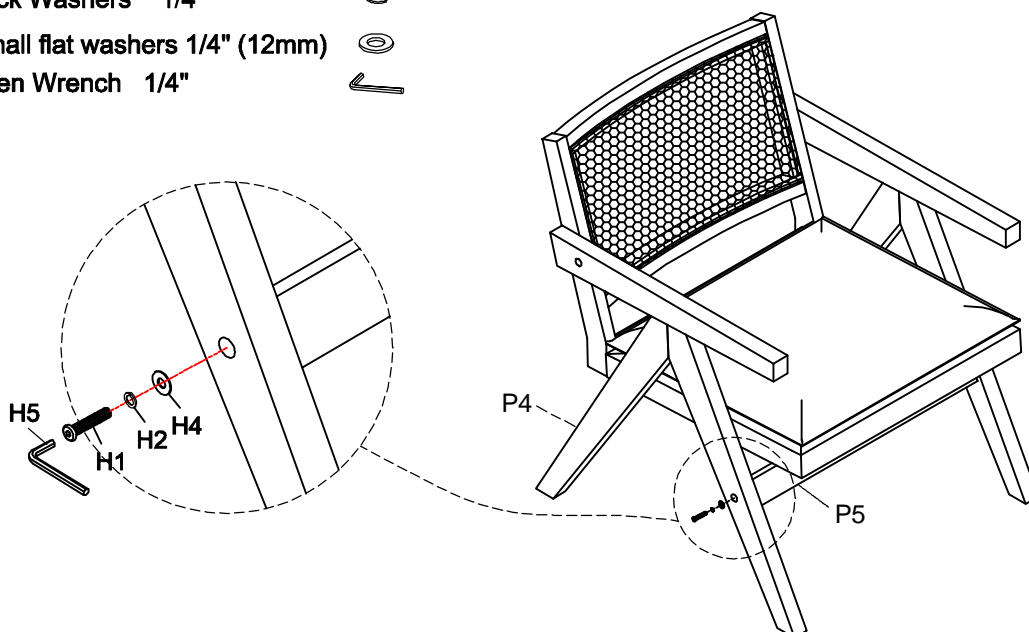
(H4)x2 Small flat washers 1/4" (12mm)

(H5)x1 Allen Wrench 1/4"



Step 4. Loosely attach the assembled left arm (P4) to front stretchers (P5).

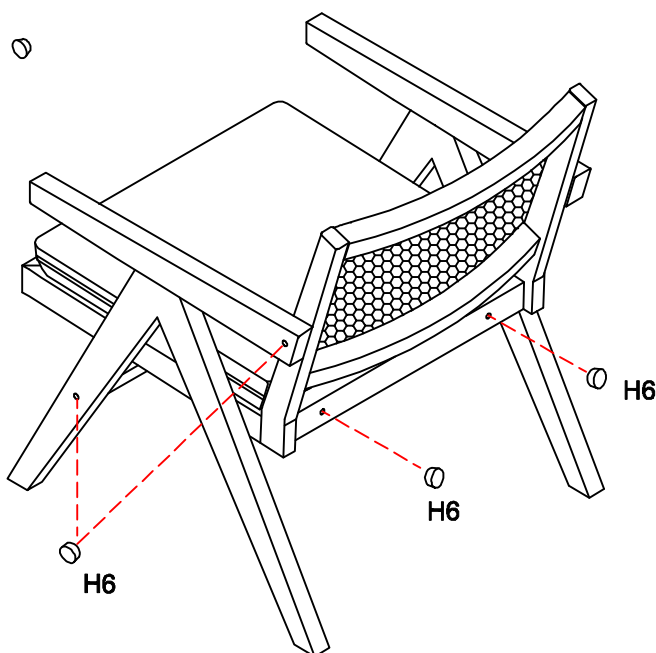
- (H1)x1 Bolts $\varnothing 1/4'' \times 1-1/2''$ 
- (H2)x1 Lock Washers 1/4" 
- (H4)x1 Small flat washers 1/4" (12mm) 
- (H5)x1 Allen Wrench 1/4" 



Step 5.

- 1) Make sure the assembled lounge is level and securely tighten all the bolts with Allen wrench (H5).
- 2) Attach wooden plugs (H6) to each exposed bolt holes, tighten with rubber hammer to knock the wooden plug till its tighten. **Note:** use a soft cloth between the wooden plug and hammer to prevent damage to wooden plug finish.
- 3) Assembly is complete. **Failure to follow these instructions may cause the bolts to misalign during assembly.**

- (H6)x6 Wooden Plugs 



ADDITIONAL NOTE ABOUT SAFETY: BOLTS MAY LOOSEN DURING NORMAL EVERYDAY USE. THEY SHOULD BE PERIODICALLY INSPECTED AND RE-TIGHTENED TO PREVENT DAMAGE OR INJURY. ALWAYS CHECK TO ENSURE THAT ALL HARDWARE IS KEPT TIGHTENED.

Thank you for your purchase