

ASSEMBLY INSTRUCTIONS

Description: TACOMA DINING CHAIR

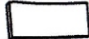
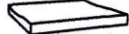



Important safety instructions:

- Please read carefully all instructions before assembly.
- For your safety and ease, assembly by two or more adults is recommended.
- Keep instructions for future use.




Pre-assembly:

- Do not discard any content until assembly is complete to avoid accidentally discarding small parts or hardware.
- Take out all parts and hardware from box.

Parts List

| NO | DESCRIPTION | IMAGE | QTY |
|----|---------------------|---|-----|
| P1 | BACKREST |  | 1 |
| P2 | SEAT |  | 1 |
| P3 | SIDE FRAME R / L |  | 2 |
| P4 | METAL SUPPORT LONG |  | 1 |
| P5 | METAL SUPPORT SHORT |  | 1 |

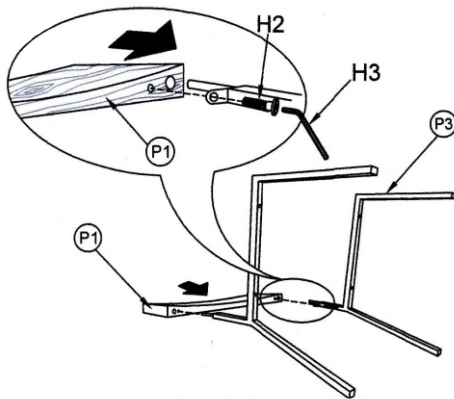
Hardware List

| NO | DESCRIPTION | IMAGE | QTY |
|----|---------------|---|-----|
| H1 | BOLT (6X40MM) |  | 8 |
| H2 | BOLT (6X20MM) |  | 2 |
| H3 | ALLEN KEY |  | 1 |

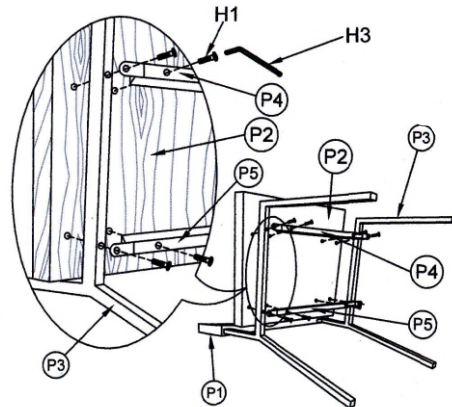
DISCLAIMER:

WHEN PROPERLY ASSEMBLED, THIS ITEM IS SAFE FOR INTENDED USE. SELLER IS NOT LIABLE FOR ANY DAMAGES RESULTING FROM ITEM BEING IMPROPERLY ASSEMBLED AFTER PURCHASE.

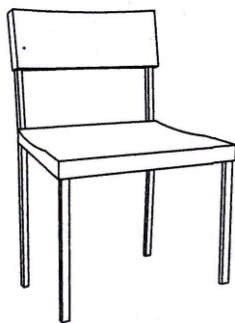
Step 1:



Step 2:



Step 3



ASSEMBLY COMPLETED

ADDITIONAL NOTE ABOUT SAFETY: BOLTS MAY LOOSEN DURING NORMAL EVERYDAY USE. THEY SHOULD BE PERIODICALLY INSPECTED AND RE-TIGHTENED TO PREVENT DAMAGE OR INJURY. ALWAYS CHECK TO ENSURE THAT ALL HARDWARE IS KEPT TIGHTENED.

Thank you for your purchase