
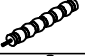
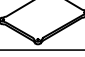



*Signature*  
**MADISON PARK BECKETT NIGHTSTAND**

Assembly instructions:

**PARTS LIST**

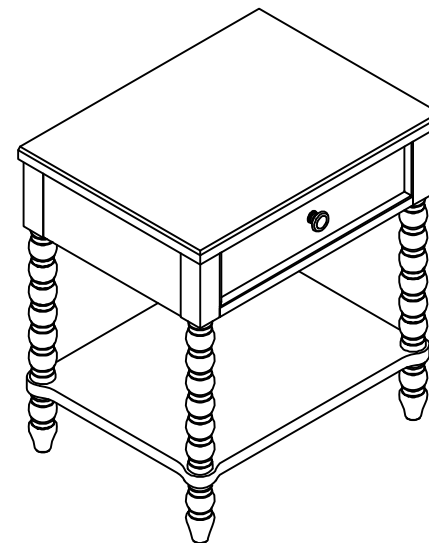
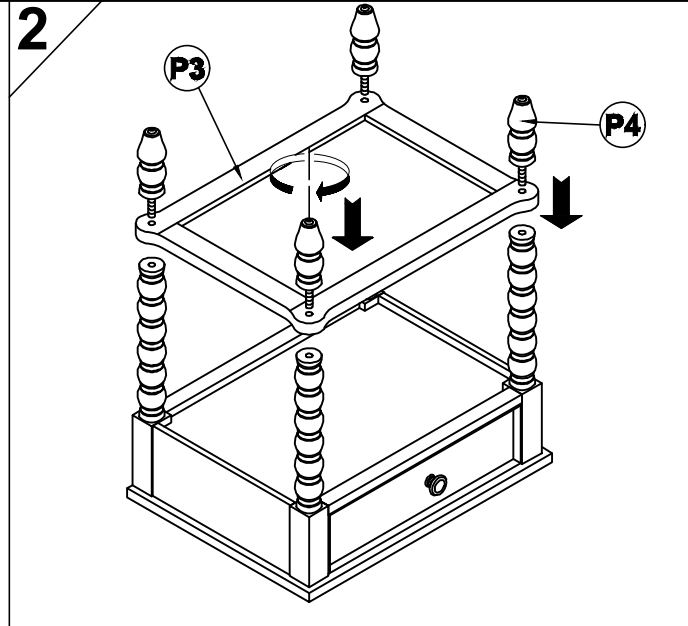
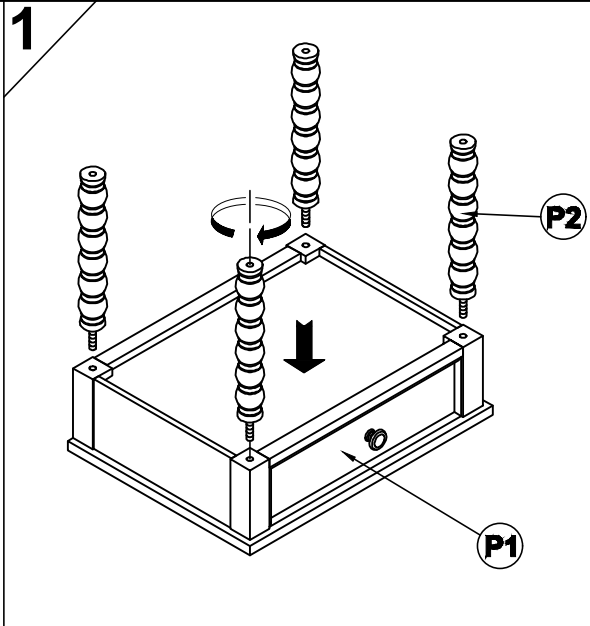
No.	DESCRIPTION	IMAGE	Q'TY
P1	TOP CABINET		1
P2	LEG		4
P3	BOTTOM PANEL		1
P4	FEET		4

**NOTE:** PO# is located underneath/ at the back side of each item. Please be prepared to provide this # should any claim be necessary

**CAUTION:** Item is heavy assembly should be performed by two people.

**DISCLAIMER:**

When properly assembled, this item is safe for intended use. Seller is not liable for any damages resulting from item being improperly assembled after purchase.



**ASSEMBLED COMPLETE**