

# ASSEMBLY INSTRUCTIONS

Description: IVAN ACCENT BENCH

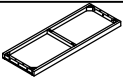

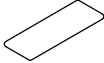
**Important safety instructions:**

- Please read carefully all instructions before assembly.
- For your safety and ease, assembly by two or more adults is recommended.
- Keep instructions for future use.





**Pre-assembly:**

- Do not discard any content until assembly is complete to avoid accidentally discarding small parts or hardware.
- Take out all parts and hardware from box.

**Parts List**

Item	Description	QTY
P1	Shelf 	2
P2	Legs 	2
P3	Seat cushion 	1

**Hardware List**

Item	Description	QTY
H1	Bolts Ø5/16"x55mm 	12
H2	Lock Washers Ø5/16" 	12
H3	Flat Washers Ø5/16"x19mm 	12
H4	Allen Key 4mm 	1

**DISCLAIMER:**

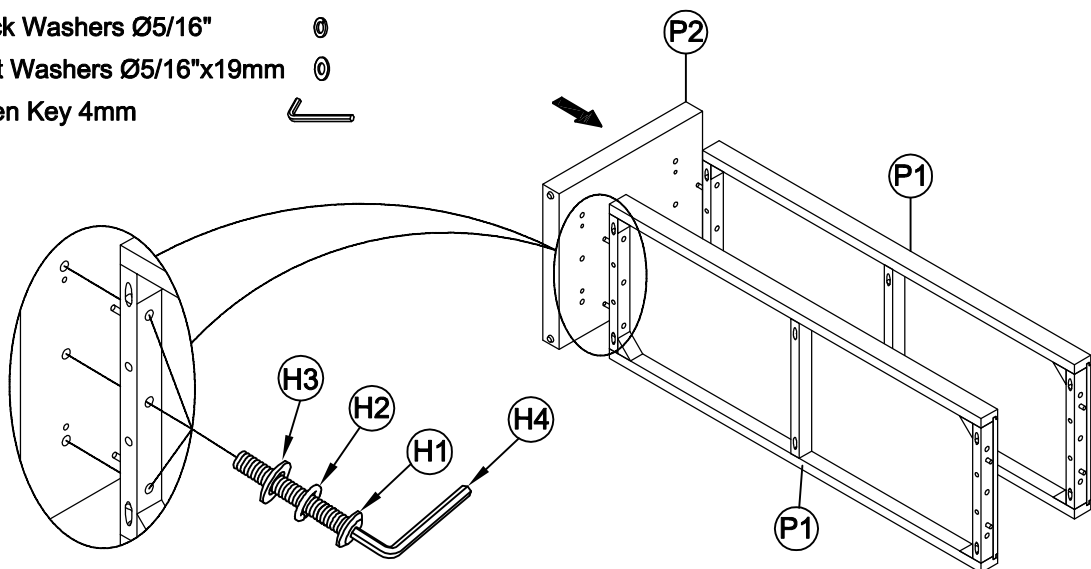
**WHEN PROPERLY ASSEMBLED, THIS ITEM IS SAFE FOR INTENDED USE. SELLER IS NOT LIABLE FOR ANY DAMAGES RESULTING FROM ITEM BEING IMPROPERLY ASSEMBLED AFTER PURCHASE.**

**Assembly Procedures:**

Step1: Assemble the bench on a flat, soft surface such as a carpet or cloth to prevent scratching the finish.

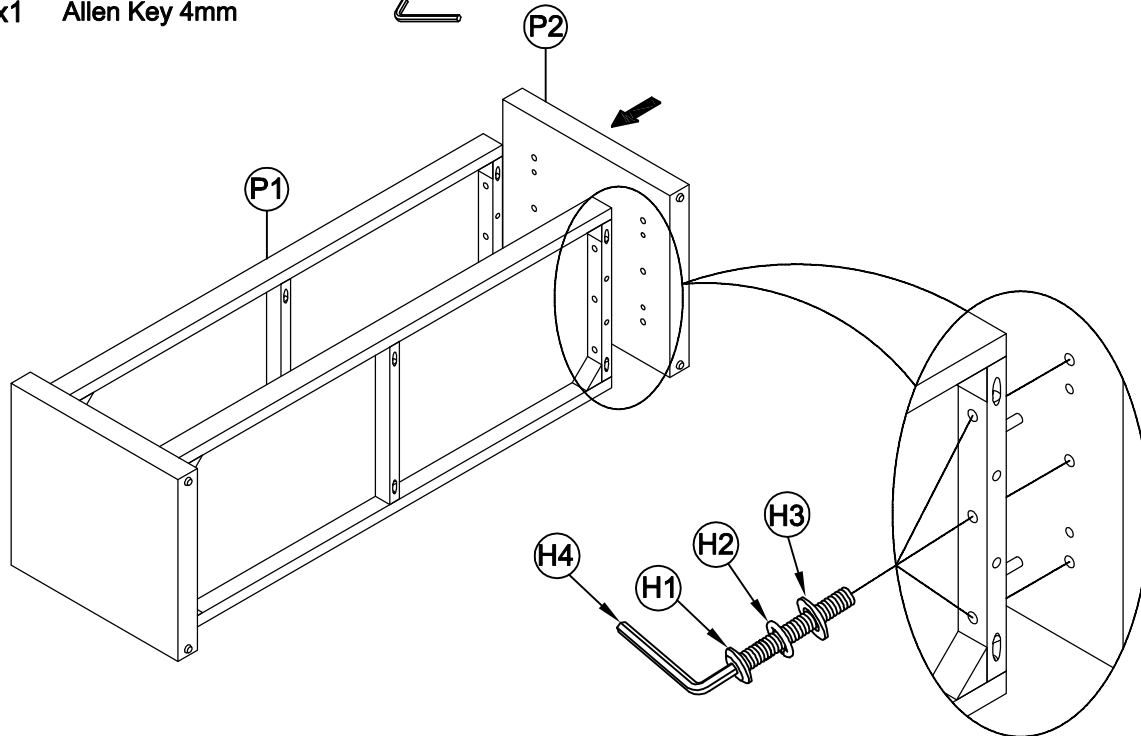
Attach the Shelf (P1) to Leg (P2) as shown below:

- (H1)x6 Bolts Ø5/16"x55mm 
- (H2)x6 Lock Washers Ø5/16" 
- (H3)x6 Flat Washers Ø5/16"x19mm 
- (H4)x1 Allen Key 4mm 

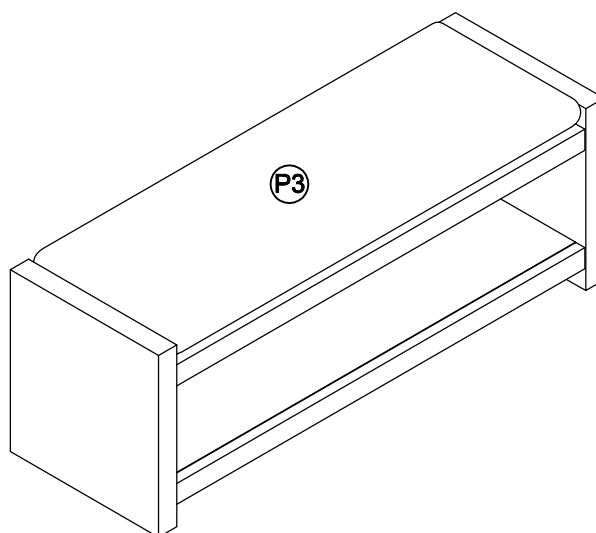


Step 2: Attach the leg (P2) to the shelf (P1) as shown below:

- (H1)x6 Bolts  $\varnothing 5/16"$ x55mm 
- (H2)x6 Lock Washers  $\varnothing 5/16"$  
- (H3)x6 Flat Washers  $\varnothing 5/16"$  
- (H4)x1 Allen Key 4mm 



Step 3: Turn the assembled Bench to an upright position. Put seat cushion (P3) on top shelf. Assembly is complete.



**ADDITIONAL NOTE ABOUT SAFETY: BOLTS MAY LOOSEN DURING NORMAL EVERYDAY USE. THEY SHOULD BE PERIODICALLY INSPECTED AND RE-TIGHTENED TO PREVENT DAMAGE OR INJURY. ALWAYS CHECK TO ENSURE THAT ALL HARDWARE IS KEPT TIGHTENED.**

Thank you for your purchase