

# MADISON PARK® ASSEMBLY INSTRUCTIONS

Description: Lillie Accent Chair



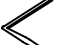


## Important safety instructions:

- Please read carefully all instructions before assembly.
- For your safety and ease, assembly by two or more adults is recommended.
- Keep instructions for future use.










## Pre-assembly:

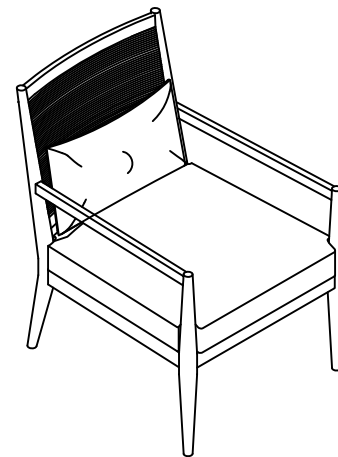
- Do not discard any content until assembly is complete to avoid accidentally discarding small parts or hardware.
- Take out all parts and hardware from box.

## Parts List

Item	Description	QTY
P1	Chair Back 	1
P2	Seat Frame with Cushion 	1
P3	Left Arm with Leg 	1
P4	Right Arm with Leg 	1
P5	Pillow 	1

## Hardware List

Item	Description	QTY
H1	Long Bolts Ø5/16"*3" 	8
H2	Large Lock Washers Ø5/16" 	8
H3	Large Flat Washers Ø5/16"x19mm 	8
H4	Short Bolts Ø1/4"*1-3/4" 	3
H5	Small Lock Washers Ø1/4" 	3
H6	Small Flat Washers Ø1/4"*12mm 	3
H7	Large Allen Wrench 5/16" 	1
H8	Small Allen Wrench 1/4" 	1
H9	Wooden Plugs 	2



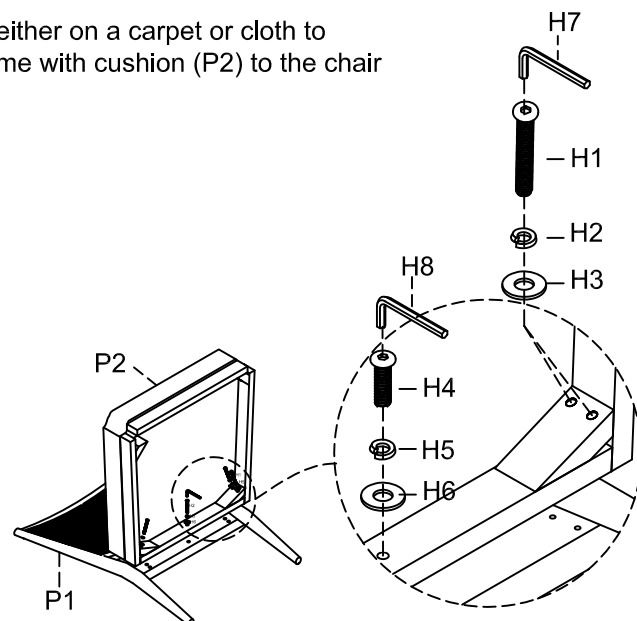
## DISCLAIMER:

WHEN PROPERLY ASSEMBLED, THIS ITEM IS SAFE FOR INTENDED USE. SELLER IS NOT LIABLE FOR ANY DAMAGES RESULTING FROM ITEM BEING IMPROPERLY ASSEMBLED AFTER PURCHASE.

## Assembly Procedures:

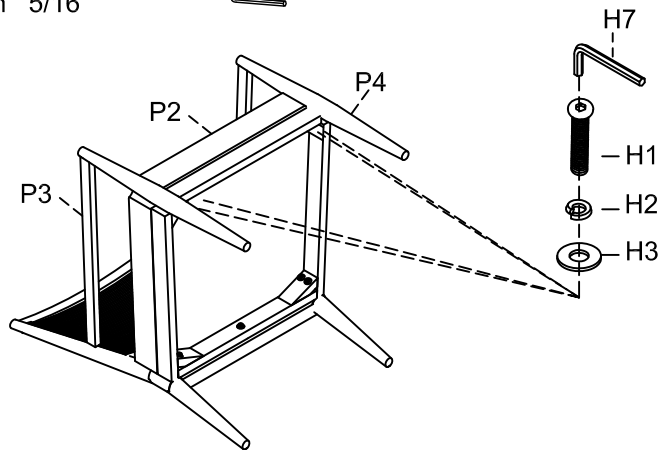
Step 1: Assemble the chair on a flat and soft surface either on a carpet or cloth to prevent the finish from scratching. Attach the seat frame with cushion (P2) to the chair back (P1) as shown.

- (H1)x4 Long Bolts Ø5/16"\*3" 
- (H2)x4 Large Lock Washers Ø5/16" 
- (H3)x4 Large Flat Washers Ø5/16"x19mm 
- (H4)x1 Short Bolts Ø1/4"\*1-3/4" 
- (H5)x1 Small Lock Washers Ø1/4" 
- (H6)x1 Small Flat Washers Ø1/4"\*12mm 
- (H7)x1 Large Allen Wrench 5/16" 
- (H8)x1 Small Allen Wrench 1/4" 



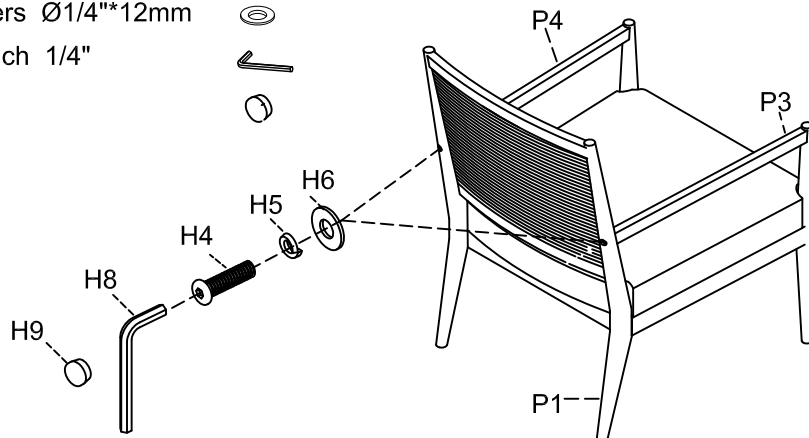
Step 2. Attach the left arm with Leg ( P3) and right arm with Leg (P4) to the seat frame with cushion (P2) as shown.

- (H1)x4 Long Bolts  $\text{\O}5/16'' \times 3''$
- (H2)x4 Large Lock Washers  $\text{\O}5/16''$
- (H3)x4 Large Flat Washers  $\text{\O}5/16'' \times 19\text{mm}$
- (H7)x1 Large Allen Wrench  $5/16''$



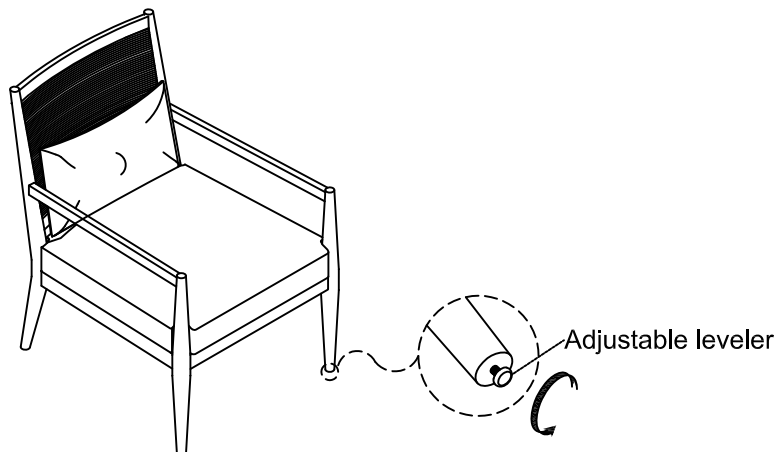
Step 3. Turn the assembled chair to an upright position, attach the left arm ( P3) and right arm (P4) to the chair back (P1) as shown.

- (H4)x2 Short Bolts  $\text{\O}1/4'' \times 1-3/4''$
- (H5)x2 Small Lock Washers  $\text{\O}1/4''$
- (H6)x2 Small Flat Washers  $\text{\O}1/4'' \times 12\text{mm}$
- (H8)x1 Small Allen Wrench  $1/4''$
- (H9)x2 Wooden Plugs



Step 4. Make sure the chair is level and securely tighten all bolts with Allen wrench (H7&H8). put the pillow (P5) to the chair, assembly is complete.

**Leveler adjustment:** Levelers are pre-installed on the front legs and adjust as needed to make sure the chair is leveled. **Failure to follow these instructions may cause the bolts to misalign during assembly.**



**ADDITIONAL NOTE ABOUT SAFETY: BOLTS MAY LOOSEN DURING NORMAL EVERYDAY USE. THEY SHOULD BE PERIODICALLY INSPECTED AND RE-TIGHTENED TO PREVENT DAMAGE OR INJURY. ALWAYS CHECK TO ENSURE THAT ALL HARDWARE IS KEPT TIGHTENED.**

Thank you for your purchase