

ASSEMBLY INSTRUCTIONS

Description: April Accent Bench

Important safety instructions:

- Please carefully read all instructions before assembling.
- For your safety and ease, assembly by two or more adults is recommended.
- Keep instructions for future use.

Pre-assembly:

- Do not discard any contents until after assembly is complete to avoid accidentally discarding small parts or hardware.
- Remove all parts and hardware from box along with any plastic protective packaging.

Parts List

Item	Description	QTY
P1	Bench Top	1
P2	Right Leg	2
P3	Left Leg	2
P4	Stretcher	2

Hardware List




Item	Description	QTY
H1	Bolts Ø5/16"×2-3/8"	8
H2	Lock Washer Ø5/16"	8
H3	Flat Washer Ø5/16"×3/4"	8
H4	Allen Wrench 4mm	1
H5	Screws M4×1-1/2"	4
H6	Screwdriver (Not provided)	1

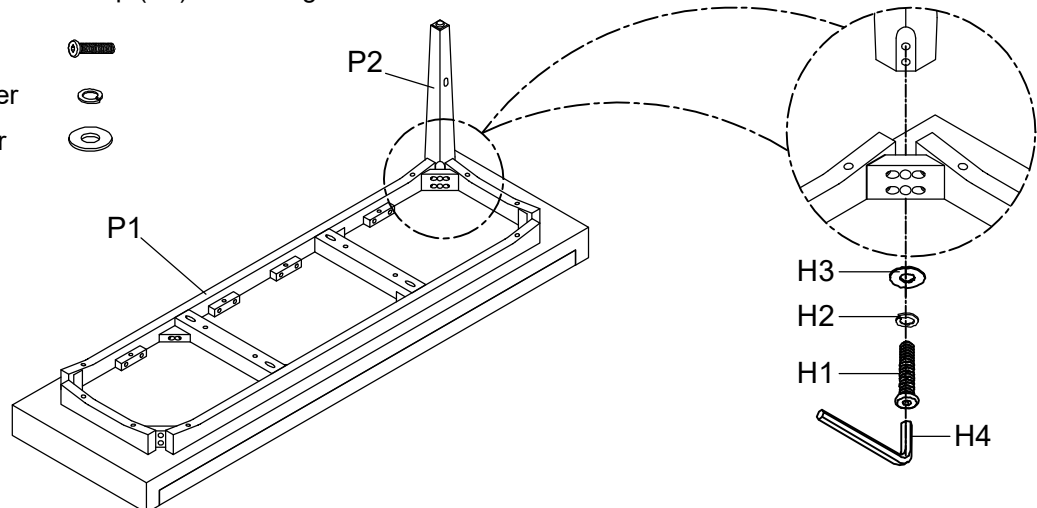
DISCLAIMER:

WHEN PROPERLY ASSEMBLED, THIS ITEM IS SAFE FOR INTENDED USE. SELLER IS NOT LIABLE FOR ANY DAMAGES RESULTING FROM ITEM BEING IMPROPERLY ASSEMBLED AFTER PURCHASE.




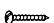

Assembly Procedures:

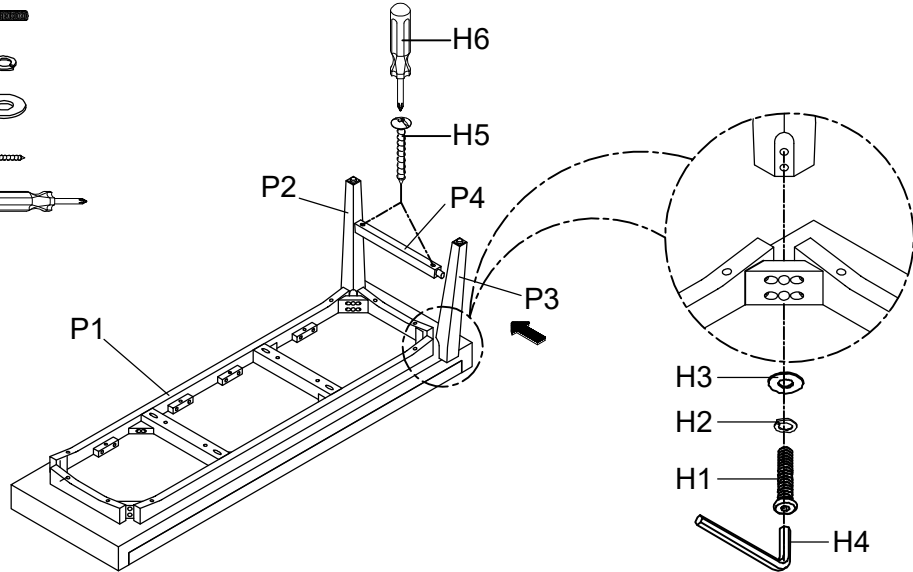
Step 1. Assemble the Bench on a flat, soft surface such as a carpet or cloth to prevent scratching the finish. Assemble Leg (P2) to Bench Top (P1). Do not tighten Bolts.

- (H1)x2 Bolts 
- (H2)x2 Lock Washer 
- (H3)x2 Flat Washer 








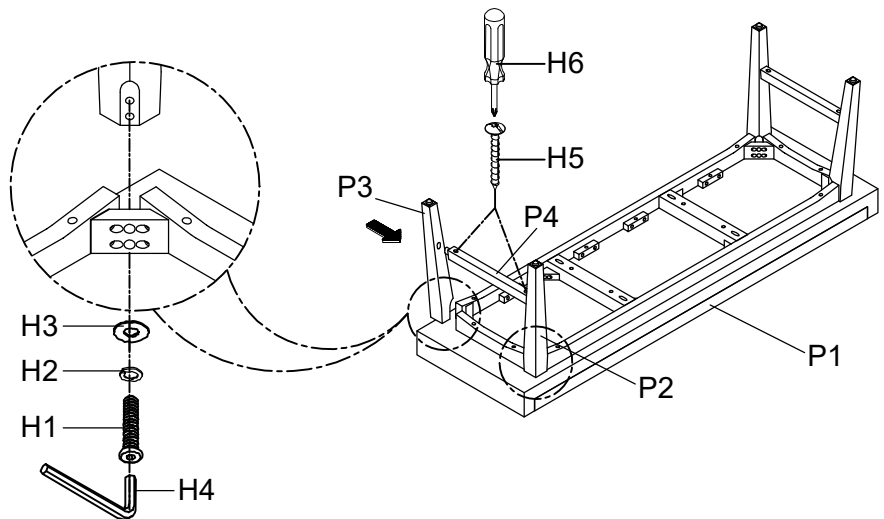
Step 2. Insert Stretcher (P4) to Leg (P2) & (P3) then attach (P3) to Bench Top (P1). Tighten all Bolts.
Then secure Stretcher (P4) to Leg (P2) & (P3) as shown below:

- (H1)x2 Bolts 
- (H2)x2 Lock Washer 
- (H3)x2 Flat Washer 
- (H5)x2 Screws 
- (H6)x1 Screwdriver (Not provided) 



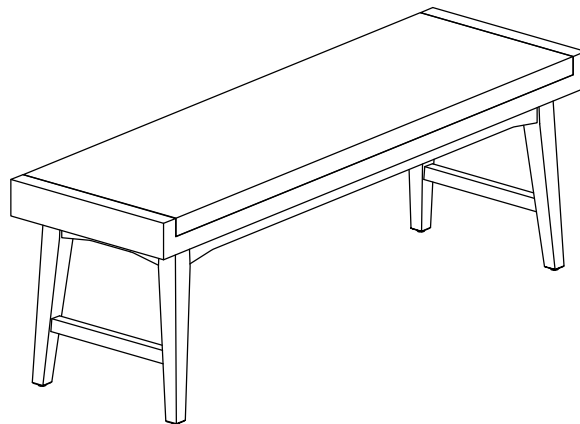
Step 3. Repeat Step 1 & Step 2 for the rest Legs and Stretcher

- (H1)x4 Bolts 
- (H2)x4 Lock Washer 
- (H3)x4 Flat Washer 
- (H5)x2 Screws 
- (H6)x1 Screwdriver (Not provided) 



Step 4:

- a. Turn the Bench over and place it upright on a level surface.
- b. Assembly is complete.



ADDITIONAL NOTE ABOUT SAFETY: BOLTS MAY LOOSEN DURING NORMAL EVERYDAY USE. THEY SHOULD BE PERIODICALLY INSPECTED AND RE-TIGHTENED TO PREVENT DAMAGE OR INJURY. ALWAYS CHECK TO BE SURE THAT ALL HARDWARE IS KEPT TIGHTENED.

Thank you for your purchase