

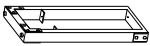

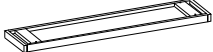
Important safety instructions:

- Please read carefully all instructions before assembly.
- For your safety and ease, assembly by two or more adults is recommended.
- Keep instructions for future use.






Pre-assembly:

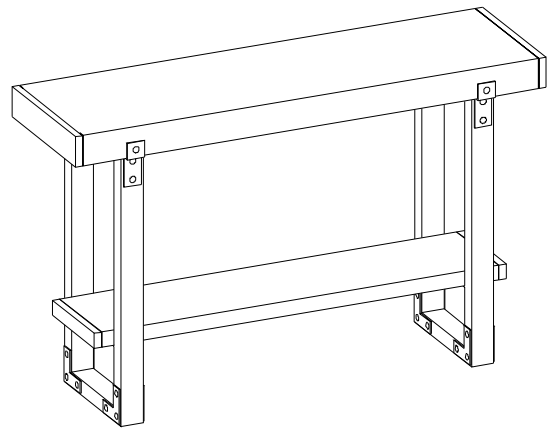
- Do not discard any content until assembly is complete to avoid accidentally discarding small parts or hardware.
- Take out all parts and hardware from box.

Parts List

Item	Description	QTY
P1	Leg Frames 	2
P2	Table Top 	1
P3	Bottom Shelf 	1

Hardware List

Item	Description	QTY
H1	Short Bolts $\text{Ø}1/4 \times 5/8$ " 	4
H2	Long Bolts $\text{Ø}1/4 \times 1-1/2$ " 	4
H3	Lock Washers $\text{Ø}1/4$ " 	8
H4	Flat Washers $\text{Ø}1/4$ " 	8
H5	Allen Wrench $1/4$ " 	1



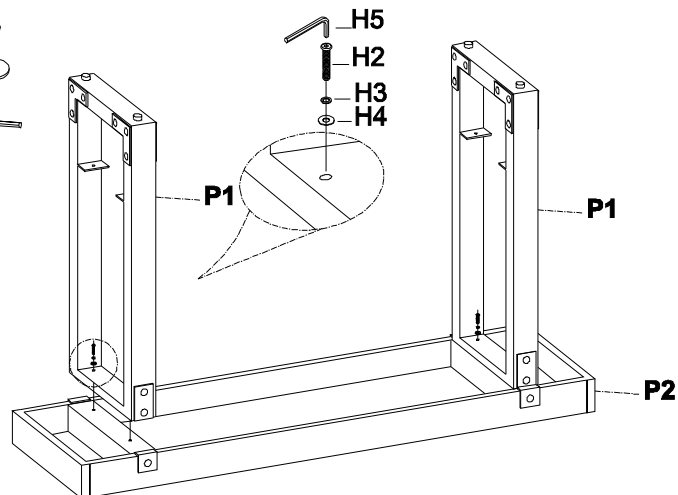
DISCLAIMER:

WHEN PROPERLY ASSEMBLED, THIS ITEM IS SAFE FOR INTENDED USE. SELLER IS NOT LIABLE FOR ANY DAMAGES RESULTING FROM ITEM BEING IMPROPERLY ASSEMBLED AFTER PURCHASE.

Assembly Procedures:

Step 1. Assemble the table on a flat, soft surface such as a carpet or cloth to prevent scratching the finish. Attach the leg frames (P1) to the table top (P2).

- (H2)x4 Long Bolts $\text{Ø}1/4 \times 1-1/2$ " 
- (H3)x4 Lock Washers 
- (H4)x4 Flat Washers 
- (H5)x1 Allen Wrench $1/4$ " 



Step 2. Loosely attach bottom shelf (P3) to the each leg frame (P1) as show below.

(H1)x4 Short Bolts $\text{Ø}1/4 \times 5/8$ "



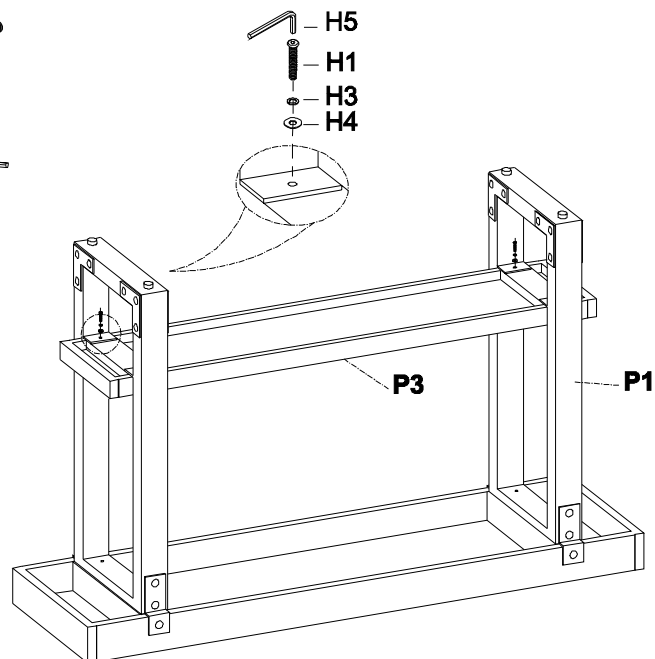
(H2)x4 Lock Washers



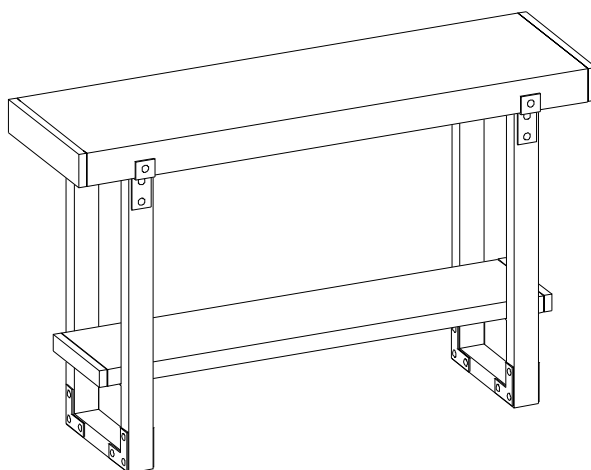
(H4)x4 Flat Washers



(H5)x1 Allen Wrench 1/4"



Step 3. Turn the assembled table to an upright position. Securely tighten all the bolts with Allen wrench (H5). Assembly is complete.



ADDITIONAL NOTE ABOUT SAFETY: BOLTS MAY LOOSEN DURING NORMAL EVERYDAY USE. THEY SHOULD BE PERIODICALLY INSPECTED AND RE-TIGHTENED TO PREVENT DAMAGE OR INJURY. ALWAYS CHECK TO ENSURE THAT ALL HARDWARE IS KEPT TIGHTENED.

Thank you for your purchase