

ASSEMBLY INSTRUCTIONS

Description: Kennedy Dining Table

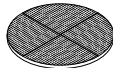



Important safety instructions:

- Please read carefully all instructions before assembly.
- For your safety and ease, assembly by two or more adults is recommended.
- Keep instructions for future use.

Pre-assembly:

- Do not discard any content until assembly is complete to avoid accidentally discarding small parts or hardware.
- Take out all parts and hardware from box.

Parts List

Item	Description	QTY
P1	Table Top 	1
P2	Support Panels 	4
P3	Mounting Plate 	1
P4	Metal Stretcher 	1



Hardware List

Item	Description	QTY
H1	Bolts Ø 1/4"x1-1/4" 	20
H2	Lock Washers 1/4" 	20
H3	Flat Washers 1/4" 	20
H4	Allen Wrench 1/4" 	1
H5	Adjustable Levelers 	4

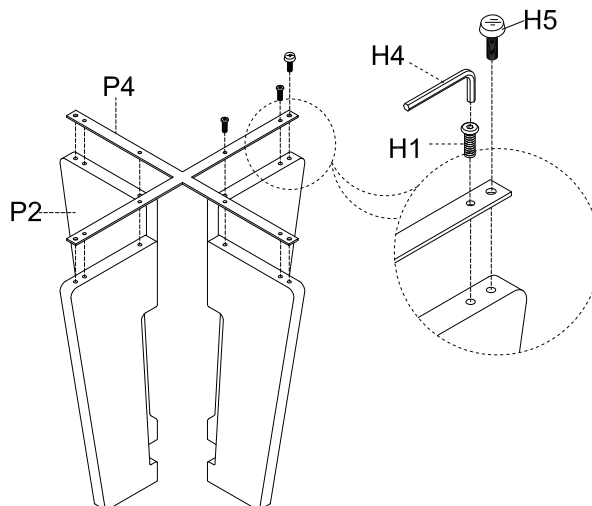
DISCLAIMER:

WHEN PROPERLY ASSEMBLED, THIS ITEM IS SAFE FOR INTENDED USE. SELLER IS NOT LIABLE FOR ANY DAMAGES RESULTING FROM ITEM BEING IMPROPERLY ASSEMBLED AFTER PURCHASE.

Assembly Procedures:

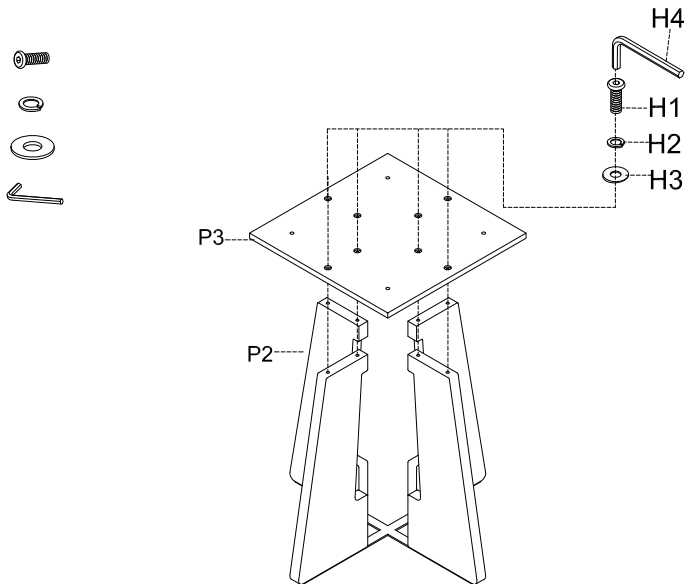
Step 1. Assemble the table on a flat, soft surface such as a carpet or cloth to prevent scratching the finish. Attach the metal stretcher (P4) to the bottom of support panels (P2), then screw the adjustable levelers (H5) to the metal stretcher (P4) as shown below.

- (H1)x8 Bolts Ø 1/4"x1-1/4"
- (H4)x1 Allen Wrench 1/4"
- (H5)x4 Adjustable Leveler



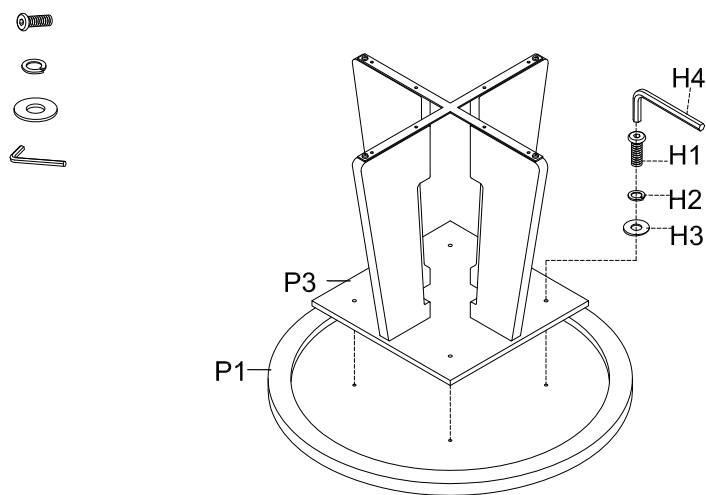
Step 2. Turn the assembled support panels to an upright position, attach the mounting plate (P3) to the assembled support panels (P2) as shown below.

- (H1)x8 Bolts \varnothing 1/4"x1-1/4"
- (H2)x8 Lock Washers 1/4"
- (H3)x8 Flat Washers 1/4"
- (H4)x1 Allen Wrench 1/4"

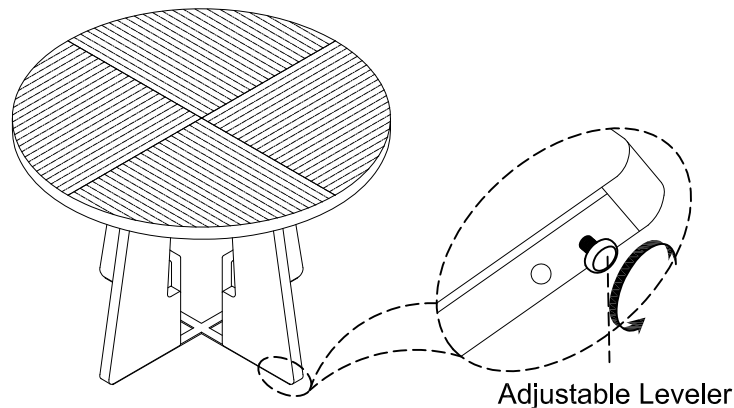


Step 3. Attach the assembled mounting plate (P3) to the bottom of table top (P1) as shown below

- (H1)x4 Bolts \varnothing 1/4"x1-1/4"
- (H2)x4 Lock Washers 1/4"
- (H3)x4 Flat Washers 1/4"
- (H4)x1 Allen Wrench 1/4"



Step 4. Turn the assembled table to an upright position. Assembly is complete. **Leveler adjustment:** Levelers are pre-installed on the legs and adjust as needed to make sure the table is leveled. **Failure to follow these instructions may cause the bolts to misalign during assembly.**



ADDITIONAL NOTE ABOUT SAFETY: BOLTS MAY LOOSEN DURING NORMAL EVERYDAY USE. THEY SHOULD BE PERIODICALLY INSPECTED AND RE-TIGHTENED TO PREVENT DAMAGE OR INJURY. ALWAYS CHECK TO ENSURE THAT ALL HARDWARE IS KEPT TIGHTENED.

Thank you for you purchase