



ASSEMBLY INSTRUCTIONS

Description: Irisa Accent Table




Important safety instructions:

- Please read carefully all instructions before assembly.
- For your safety and ease, assembly by two or more adults is recommended.
- Keep instructions for future use.






Pre-assembly:

- Do not discard any content until assembly is complete to avoid accidentally discarding small parts or hardware.
- Take out all parts and hardware from box.

Parts List

Item	Description		QTY
P1	Table Top		1
P2	Metal Base		1
P3	Metal Legs		4

Hardware List

Item	Description		QTY
H1	Bolt $\text{\O}1/4"$ x $5/8"$		4
H2	Bolt $\text{\O}1/4"$ x $1\ 1/4"$		4
H3	Lock Washers $\text{\O}1/4"$		8
H4	Flat Washers $\text{\O}1/4"$		8
H5	Allen Wrench		1

DISCLAIMER:

WHEN PROPERLY ASSEMBLED, THIS ITEM IS SAFE FOR INTENDED USE. SELLER IS NOT LIABLE FOR ANY DAMAGES RESULTING FROM ITEM BEING IMPROPERLY ASSEMBLED AFTER PURCHASE.

Assembly Procedures:

Step 1: Assemble the table on a flat, soft surface such as a carpet or cloth to prevent scratching the finish. Attach Metal Legs (P3) to Table Top (P1) as shown below:

(H1)x4 Bolts $\text{\O}1/4"$ x $5/8"$



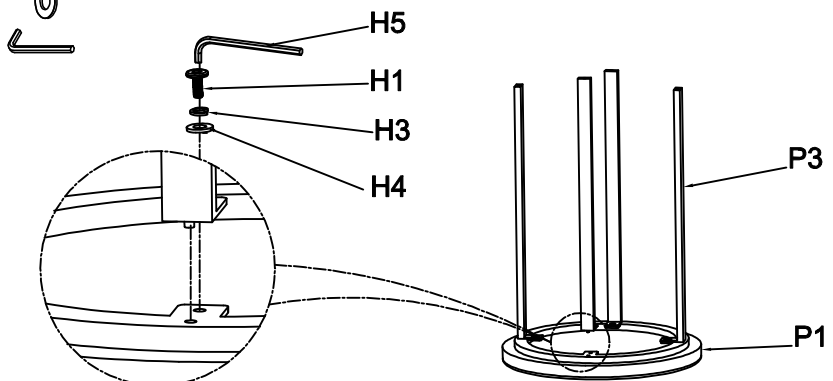
(H3)x4 Lock Washers $\text{\O}1/4"$







(H4)x4 Flat Washers $\text{\O}1/4"$

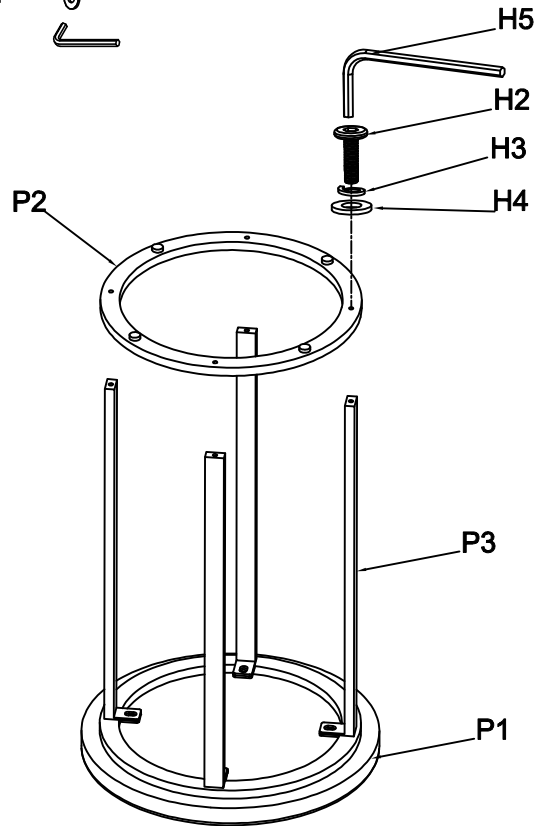


(H5)x1 Allen Wrench



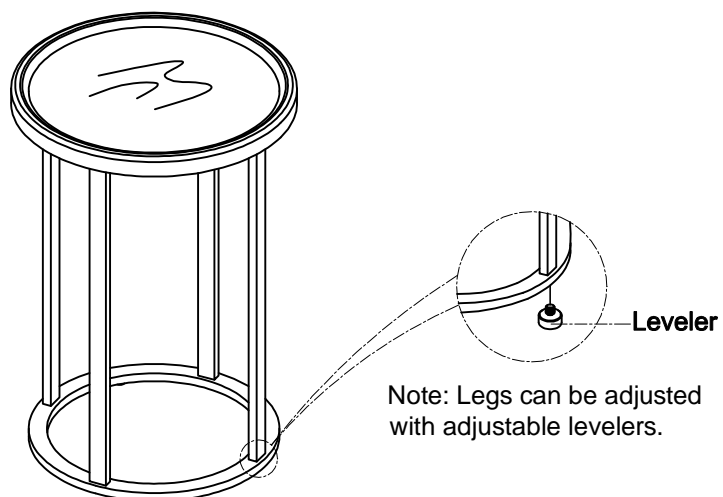
Step 2: Attach the Metal Base (P2) to the assembled Metal Legs (P3) as shown below.

- (H2)x4 Bolts $\text{\O}1/4" \times 1\ 1/4"$ 
- (H3)x4 Lock Washers $\text{\O}1/4"$ 
- (H4)x4 Flat Washers $\text{\O}1/4"$ 
- (H5)x1 Alen Wrench 



Step 3:

- a. Securely tighten all bolts with Allen wrench (H5), turn the assembled table to an upright position.
- b. Assembly is complete.
- c. Failure to follow these instructions may cause the bolts to misalign during assembly.



ADDITIONAL NOTE ABOUT SAFETY: BOLTS MAY LOOSEN DURING NORMAL EVERYDAY USE. THEY SHOULD BE PERIODICALLY INSPECTED AND RE-TIGHTENED TO PREVENT DAMAGE OR INJURY. ALWAYS CHECK TO ENSURE THAT ALL HARDWARE IS KEPT TIGHTENED.

Thank you for your purchase