

MADISON PARK® ASSEMBLY INSTRUCTIONS

Description: Pratt End Table


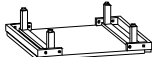

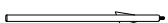

Important safety instructions:

- Please read carefully all instructions before assembly.
- For your safety and ease, assembly by two or more adults is recommended.
- Keep instructions for future use.

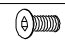





Pre-assembly:

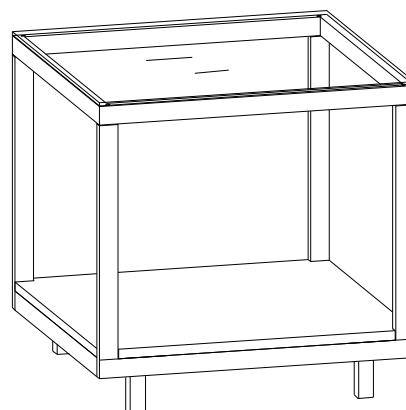
- Do not discard any content until assembly is complete to avoid accidentally discarding small parts or hardware.
- Take out all parts and hardware from box.

Parts List

Item	Description	QTY
P1	Top Frame 	1
P2	Bottom Panel 	1
P3	Side Frames 	2
P4	Connecting Posts 	4
P5	Glass 	1

Hardware List

Item	Description	QTY
H1	Bolts Ø1/4"x1" 	12
H2	Bolts Ø1/4"x5/8" 	2
H3	lock Washers 1/4" 	2
H4	Flat Washers 1/4" 	2
H5	Allen Wrench 1/4" 	1
H6	Clear Plastic Pad 	4

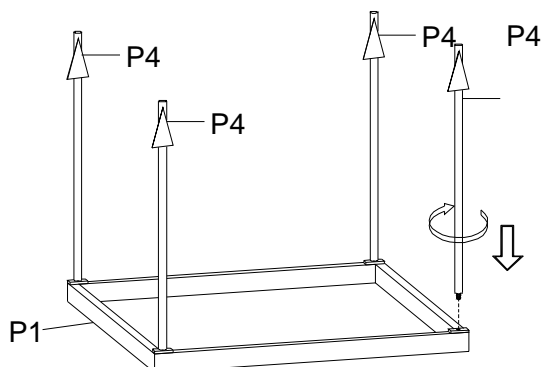


DISCLAIMER:

WHEN PROPERLY ASSEMBLED, THIS ITEM IS SAFE FOR INTENDED USE. SELLER IS NOT LIABLE FOR ANY DAMAGES RESULTING FROM ITEM BEING IMPROPERLY ASSEMBLED AFTER PURCHASE.

Assembly Procedures:

Step 1. Assemble the table on a flat, soft surface such as a carpet or cloth to prevent scratching the finish. Attach each connecting (P4) to the top frame (P1) as shown below. Do not tighten for making adjustment at Step 2 at this time.



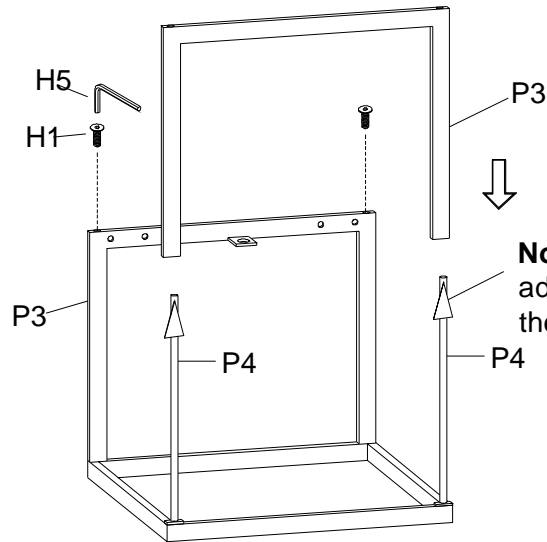
Step 2.

- 1) Insert connecting post (P4) to side frame (P3) as shown below.
- 2) Then using bolts (H1) to tighten with Allen wrench (H5).

(H1)x4 Bolts $\text{\O}1/4\text{"x}1\text{"}$



(H5)x1 Allen Wrench $1/4\text{"}$



Note: The post can be adjustable for lining up the side frame.

Step 3. Attach the bottom panel (P2) to assembled the side frames (P3) as shown below.

(H1)x8 Bolts $\text{\O}1/4\text{"x}1\text{"}$



(H2)x2 Bolts $\text{\O}1/4\text{"x}5/8\text{"}$



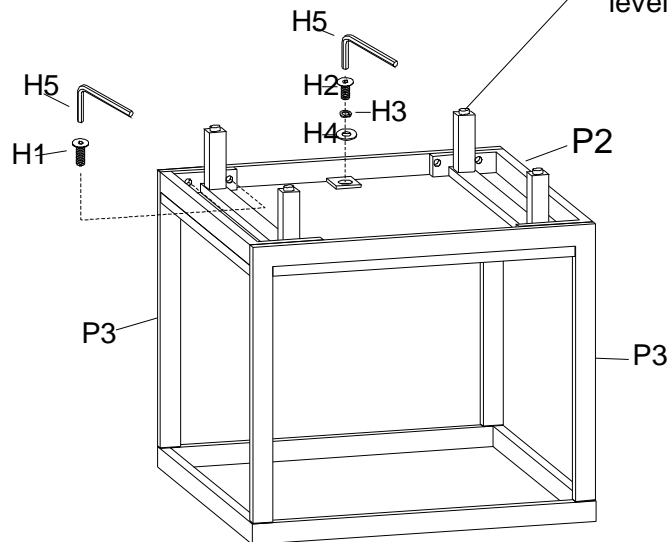
(H3)x2 lock Washers $1/4\text{"}$



(H4)x2 Flat Washers $1/4\text{"}$

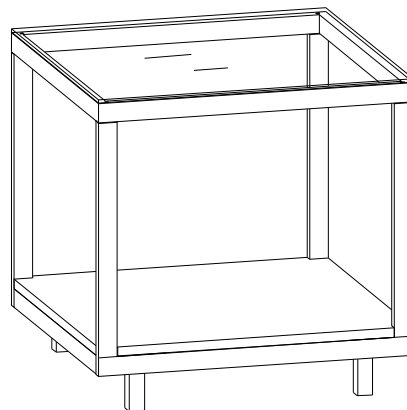
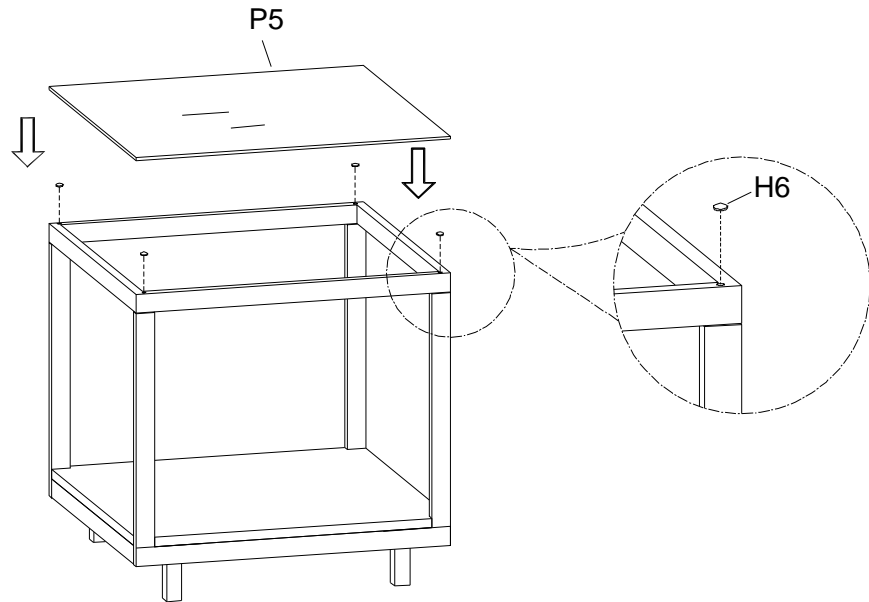


Note: The legs can be adjusted with adjustable levelers.



Step 4.

- 1) Make sure the table is level and securely tighten all bolts with Allen wrench (H5). Turn the assembled table to an upright position .
- 2) Place the clear plastic pad (H6) on the table top as shown below.
- 3) Gently lay the glass (P5) on the table top.
- 4) Assembly is complete. Failure to follow these instructions may cause the bolts to misalign during assembly.



ADDITIONAL NOTE ABOUT SAFETY: BOLTS MAY LOOSEN DURING NORMAL EVERYDAY USE. THEY SHOULD BE PERIODICALLY INSPECTED AND RE-TIGHTENED TO PREVENT DAMAGE OR INJURY. ALWAYS CHECK TO ENSURE THAT ALL HARDWARE IS KEPT TIGHTENED.

Thank you for your purchase