

ASSEMBLY INSTRUCTIONS

Description: LANCASTER LARGE DINING TABLE





Important safety instructions:

- Please read carefully all instructions before assembly.
- For your safety and ease, assembly by two or more adults is recommended.
- Keep instructions for future use.










Pre-assembly:

- Do not discard any content until assembly is complete to avoid accidentally discarding small parts or hardware.
- Take out all parts and hardware from box.

Parts List

Item	Description	QTY
P1	Table top 	2
P2	Stretcher Frame 	1
P3	Leg Frame 	2
P4	Support Table Top 	2

Hardware List



Item	Description	QTY
H1	Bolts Ø5/16"x30mm 	26
H2	Hex Bolts Ø5/16"x80mm 	4
H3	Bolts Ø5/16"x55mm 	4
H4	Lock Washers Ø5/16" 	34
H5	Flat Washers Ø5/16"x19mm 	34
H6	Wrench 12mm 	1
H7	Allen Key 4mm 	1
H8	Large Metal Bracket 	2
H9	Small Metal Bracket 	1

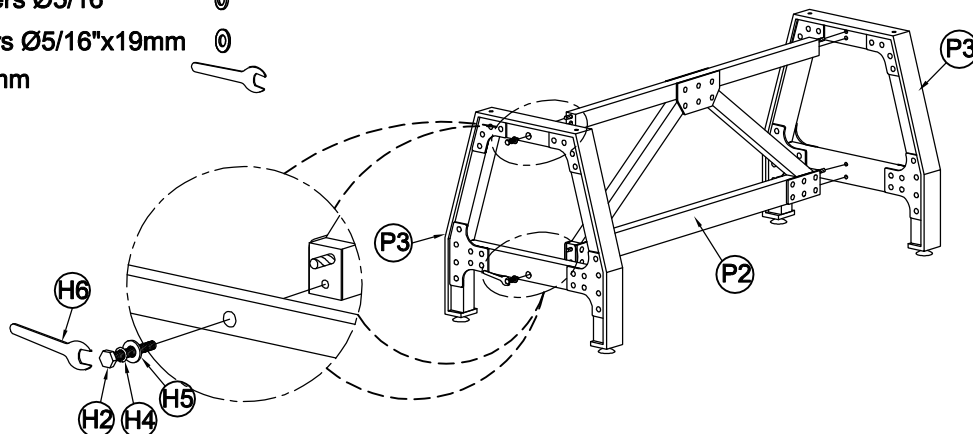
DISCLAIMER:

WHEN PROPERLY ASSEMBLED, THIS ITEM IS SAFE FOR INTENDED USE. SELLER IS NOT LIABLE FOR ANY DAMAGES RESULTING FROM ITEM BEING IMPROPERLY ASSEMBLED AFTER PURCHASE.





Assembly Procedures:

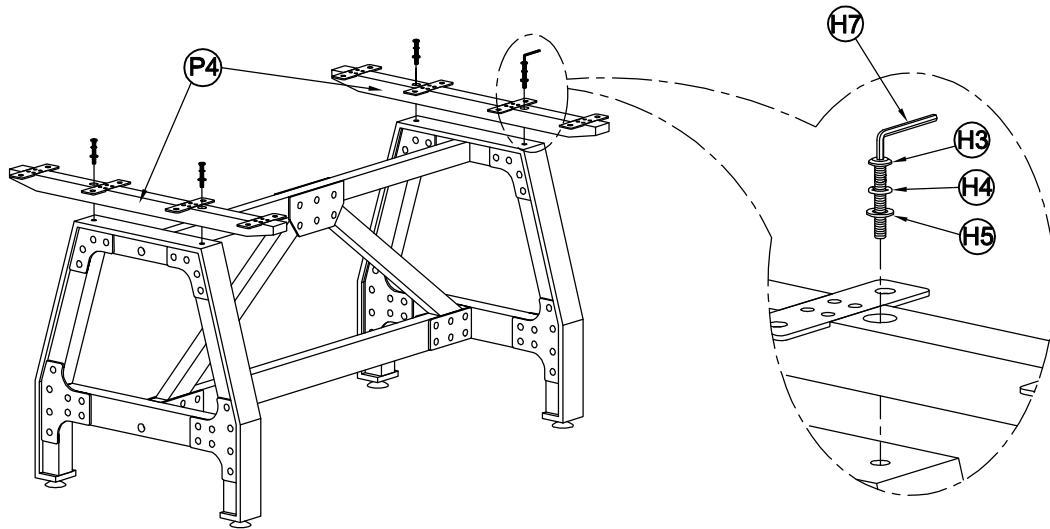
Step1: Assemble the table on a flat, soft surface such as a carpet or cloth to prevent scratching the finish. Attach the Leg Frame (P3) to Stretcher Frame (P2) as shown below.

- (H2)x4 Hex Bolts Ø5/16"x80mm 
- (H4)x4 Lock Washers Ø5/16" 
- (H5)x4 Flat Washers Ø5/16"x19mm 
- (H6)x1 Wrench 12mm 



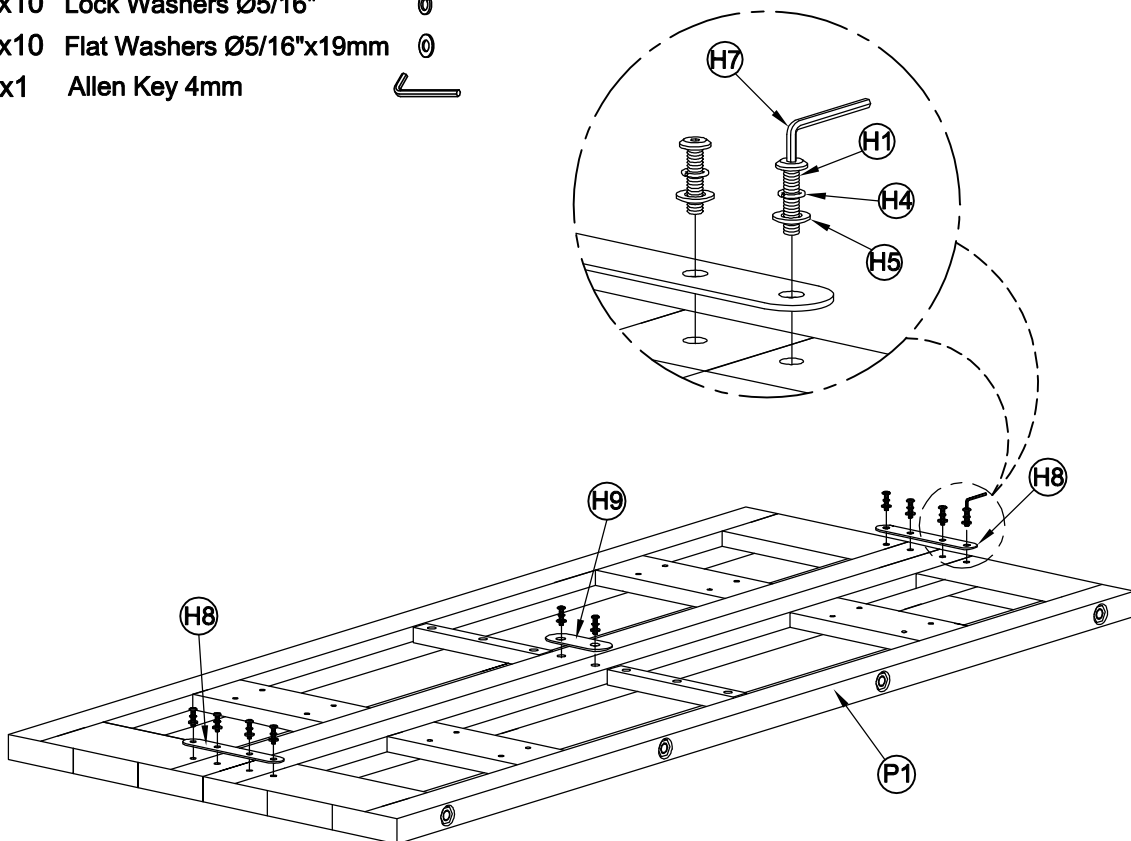
Step 2: Assemble the Support Table Top (P4) to Leg Frame (P3) as shown below.

- (H3)x4 Bolts Ø5/16"x55mm 
- (H4)x4 Lock Washers Ø5/16" 
- (H5)x4 Flat Washers Ø5/16"x19mm 
- (H7)x1 Allen Key 4mm 



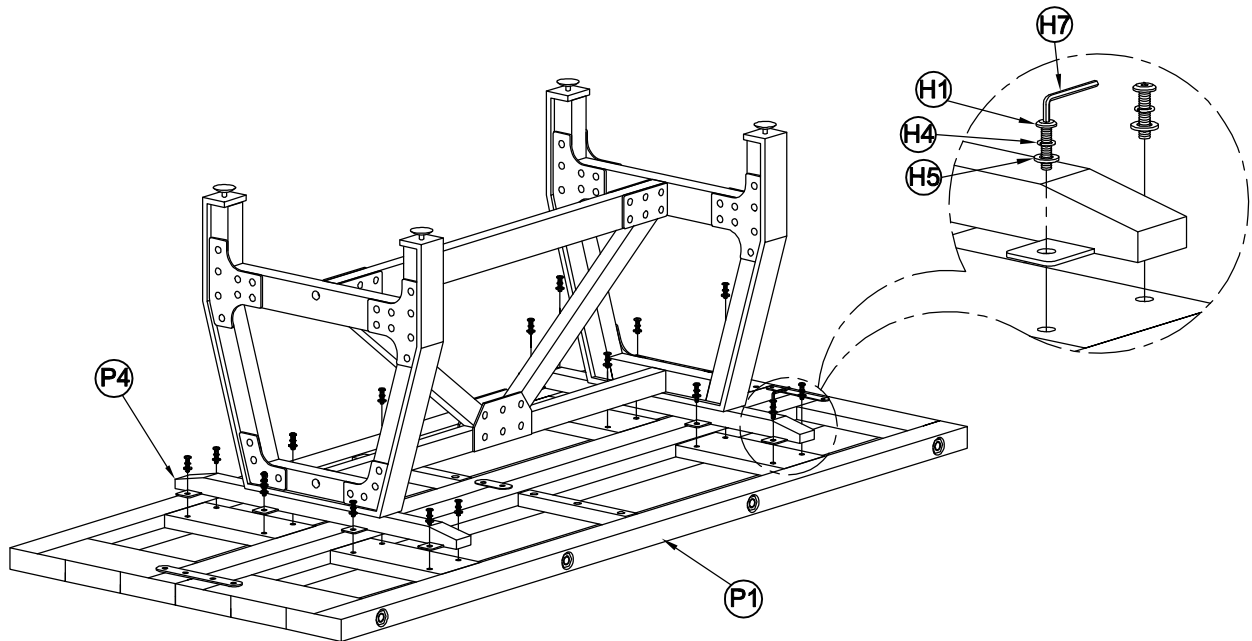
Step 3: Assemble Connecting Large Metal Bracket (H8) & Small Metal Bracket (H9) to Table top (P1) as shown below.

- (H8)x2 Large Metal Bracket 
- (H9)x1 Small Metal Bracket 
- (H1)x10 Bolts Ø5/16"x30mm 
- (H4)x10 Lock Washers Ø5/16" 
- (H5)x10 Flat Washers Ø5/16"x19mm 
- (H7)x1 Allen Key 4mm 

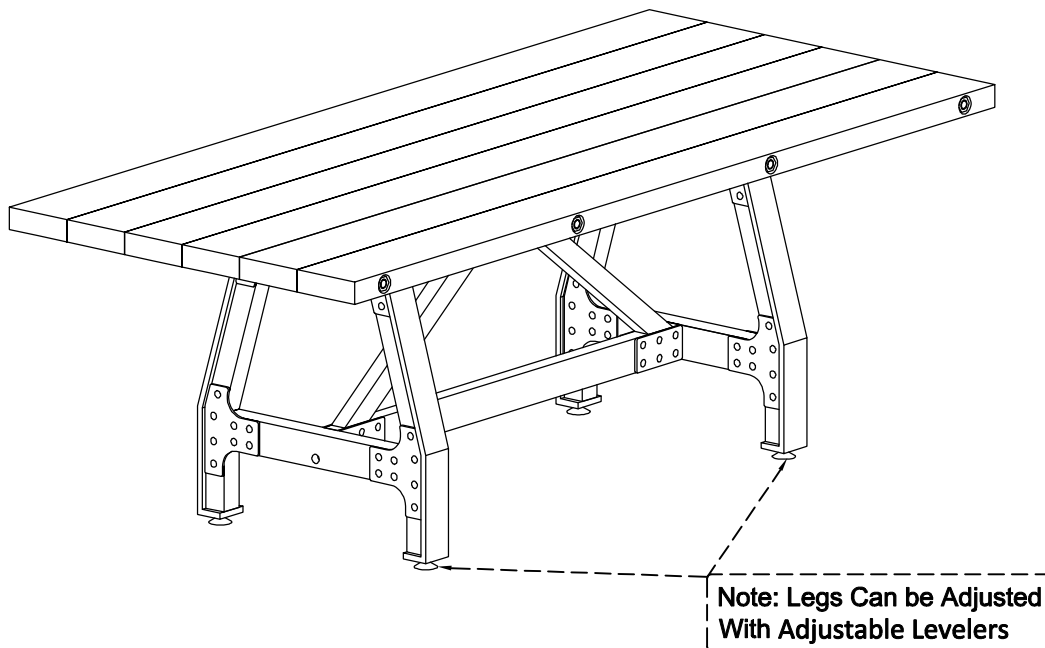


Step 4: Assemble the Support Table Top (P4) to Table top (P1) as shown below.

- (H1)x16 Bolts Ø5/16"x30mm 
- (H4)x16 Lock Washers Ø5/16" 
- (H5)x16 Flat Washers Ø5/16"x19mm 
- (H7)x1 Allen Key 4mm 



Step 5: Turn the assembled dining table to an upright position. Assembly is completed.



ADDITIONAL NOTE ABOUT SAFETY: BOLTS MAY LOOSEN DURING NORMAL EVERYDAY USE. THEY SHOULD BE PERIODICALLY INSPECTED AND RE-TIGHTENED TO PREVENT DAMAGE OR INJURY. ALWAYS CHECK TO ENSURE THAT ALL HARDWARE IS KEPT TIGHTENED.

Thank you for your purchase