

ASSEMBLY INSTRUCTIONS

Description: Rocket Lounge



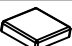


Important safety instructions:

- Please read carefully all instructions before assembly.
- For your safety and ease, assembly by two or more adults is recommended.
- Keep instructions for future use.







Pre-assembly:

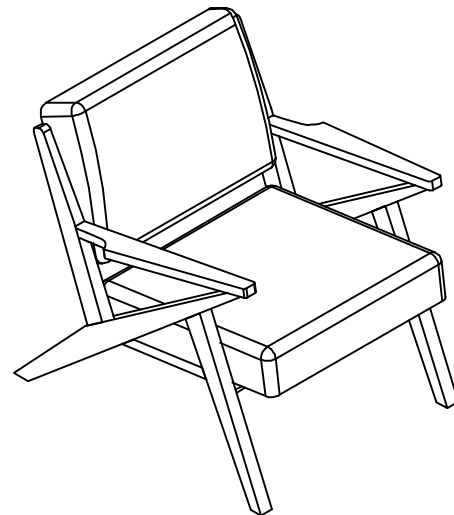
- Do not discard any content until assembly is complete to avoid accidentally discarding small parts or hardware.
- Take out all parts and hardware from box.

Parts List

Item	Description	QTY
P1	Right Arm 	1
P2	Left Arm 	1
P3	Seat Cushion 	1
P4	Back Cushion 	1
P5	Stretcher 	1

Hardware List

Item	Description	QTY
H1	Bolts $\varnothing 1/4"x2"$ 	12
H2	Lock Washers 1/4" 	12
H3	Big flat washers 1/4" (19mm) 	6
H4	Small flat washers 1/4" (12mm) 	6
H5	Allen Wrench 1/4" 	1
H6	Wooden Plugs 	6



DISCLAIMER:

WHEN PROPERLY ASSEMBLED, THIS ITEM IS SAFE FOR INTENDED USE. SELLER IS NOT LIABLE FOR ANY DAMAGES RESULTING FROM ITEM BEING IMPROPERLY ASSEMBLED AFTER PURCHASE.

Assembly Procedures:

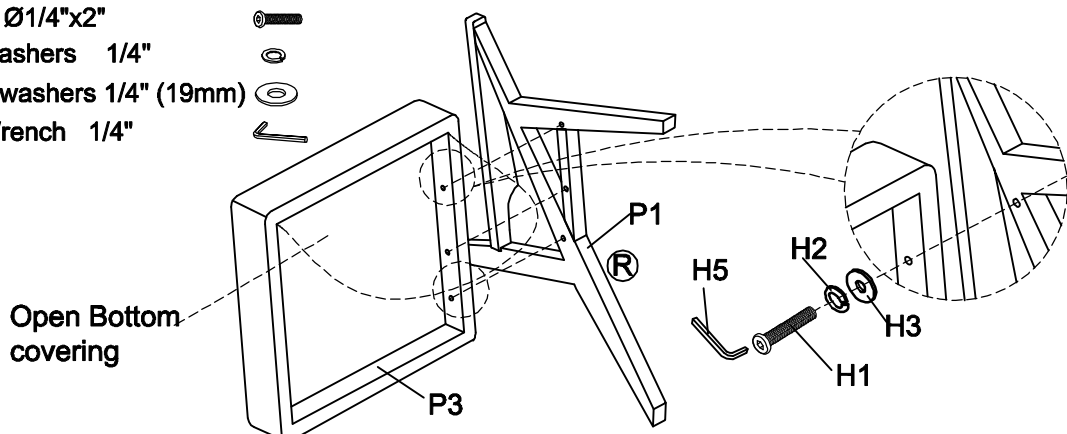
Step 1. Assemble the lounge on a flat, soft surface such as a carpet or cloth to prevent scratching the finish. Open the bottom covering, then attach right arm (A) to seat cushion (C) using bolt (a), lock washer (b) and flat washer (c) according to the label "R" on the right arm (A), seat cushion (C). Loosely tighten by Allen wrench (e).

(H1)x3 Bolts $\varnothing 1/4"x2"$ 

(H2)x3 Lock Washers 1/4" 

(H3)x3 Big flat washers 1/4" (19mm) 

(H5)x1 Allen Wrench 1/4" 



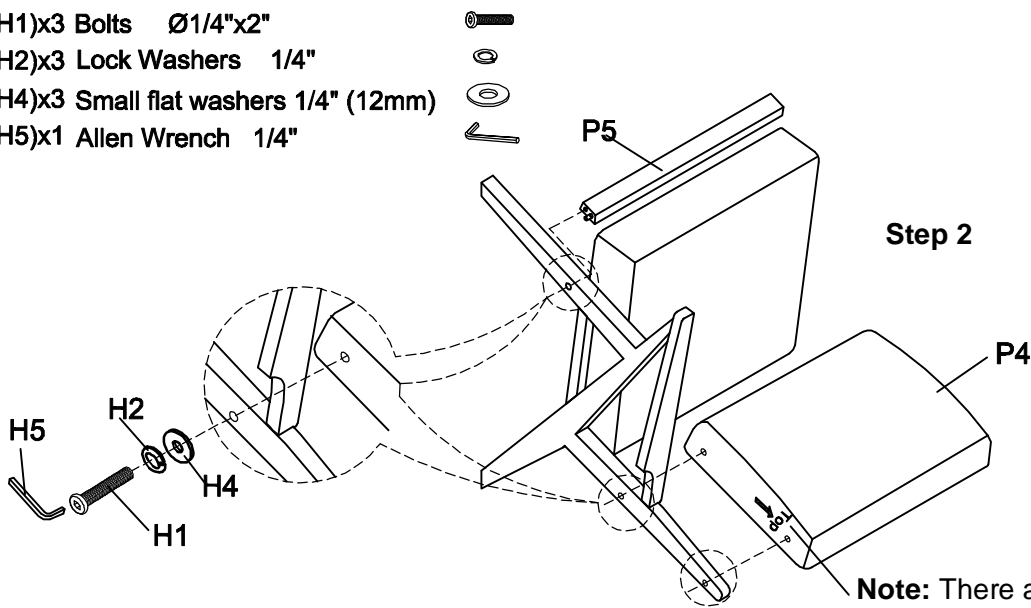
Step 2. Attach right arm (P1) to back cushion (P4) and stretcher (P5) according to the label "R" on the right arm (A), seat cushion (P3) and back cushion (P4). **Note: the label ("up") at the side of back cushion.** Loosely tighten by Allen wrench (H5).

(H1)x3 Bolts $\varnothing 1/4" \times 2"$

(H2)x3 Lock Washers 1/4"

(H4)x3 Small flat washers 1/4" (12mm)

(H5)x1 Allen Wrench 1/4"



Note: There are arrow label and "Top" label at side of back cushion. Make sure the back cushion on right position.

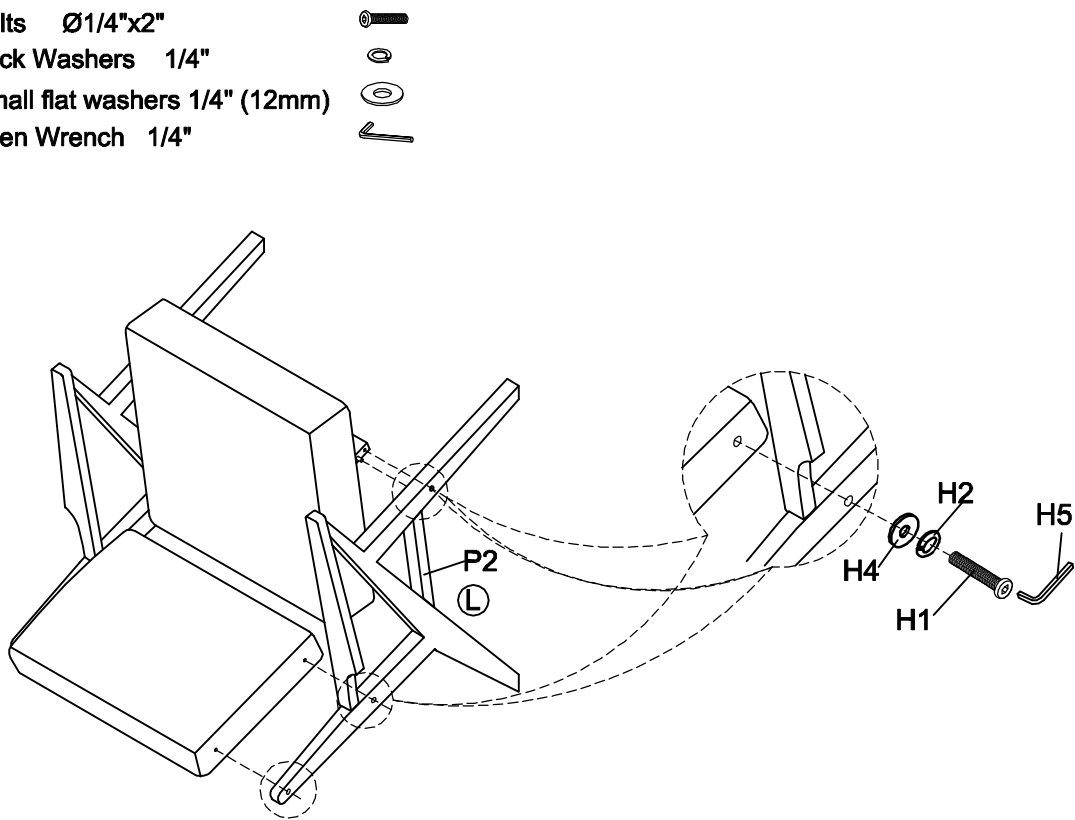
Step 3. Attach left arm (P2) to back cushion (P4), seat cushion (P3) and stretcher (P5) according to the label "L" on the left arm (P2), seat cushion (P3) and stretcher (P5). Loosely tighten by Allen wrench (H5).

(H1)x3 Bolts $\varnothing 1/4" \times 2"$




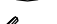
(H2)x3 Lock Washers 1/4"

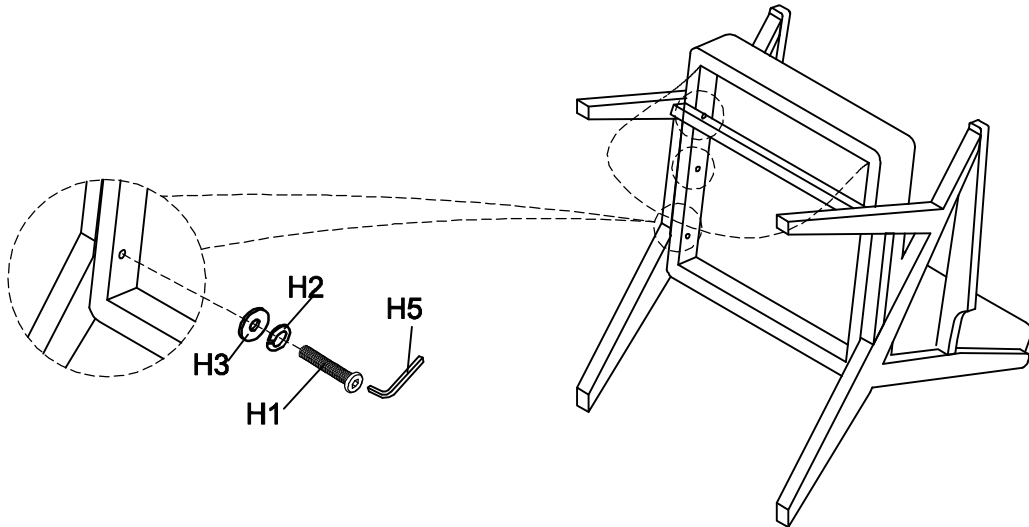
(H4)x3 Small flat washers 1/4" (12mm)

(H5)x1 Allen Wrench 1/4"



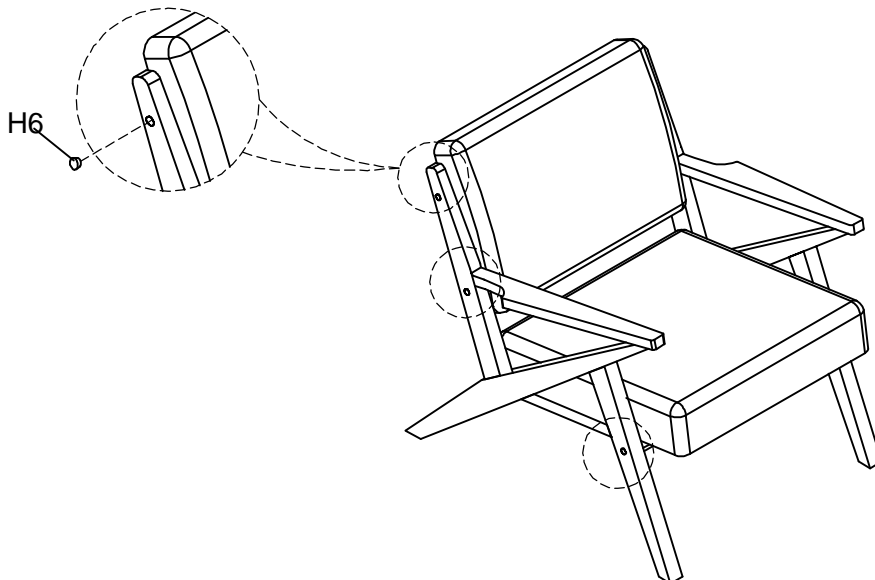
Step 4. Attach seat cushion (P3) to left arm (P2) as shown below. Loosely tighten by Allen wrench (H5).

- (H1)x3 **Bolts** Ø1/4"x2" 
- (H2)x3 **Lock Washers** 1/4" 
- (H3)x3 **Big flat washers** 1/4" (19mm) 
- (H5)x1 **Allen Wrench** 1/4" 



Step 5. Turn the assembled loveseat to a upright position. Securely tighten all bolts by Allen wrench (H5), but do not over tighten the bolts. Then attach wooden plug (H6) to each bolt hole, tighten with Rubber hammer to knock the wooden plug till its tighten. Note: use a soft cloth between the wooden plug and hammer to prevent damage to wooden plug finish.

- (H6)x6 **Wooden Plugs** 



Step 6. Assembly are complete. Failure to follow these instructions may cause the bolts to misalign during assembly.

ADDITIONAL NOTE ABOUT SAFETY: BOLTS MAY LOOSEN DURING NORMAL EVERYDAY USE. THEY SHOULD BE PERIODICALLY INSPECTED AND RE-TIGHTENED TO PREVENT DAMAGE OR INJURY. ALWAYS CHECK TO ENSURE THAT ALL HARDWARE IS KEPT TIGHTENED.

Thank you for you purchase