


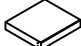





Important safety instructions:

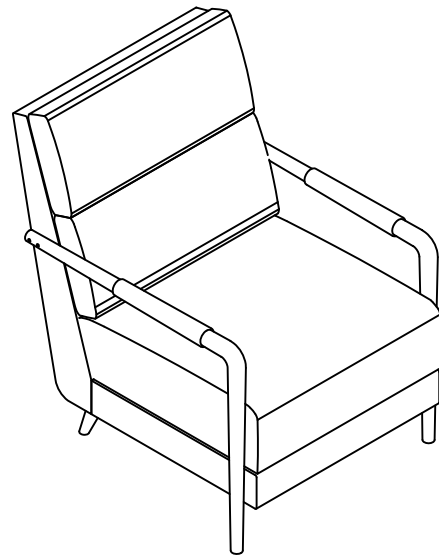
- Please read carefully all instructions before assembly.
- For your safety and ease, assembly by two or more adults is recommended.
- Keep instructions for future use. For your safety and ease, assembly by two or more adults is recommended.

Pre-assembly:











- Do not discard any content until assembly is complete to avoid accidentally discarding small parts or hardware.
- Take out all parts and hardware from box.

Parts List

Item	Description		QTY
P1	Back Cushion		1
P2	Seat Frame		1
P3	Left Back Leg	 (P3)	1
P4	Right Back Leg	 (P4)	1
P5	Left Arm with Leg	 (P5)	1
P6	Right Arm with Leg	 (P6)	1
P7	Seat Cushion		1



Hardware List

Item	Description		QTY
H1	Big Short Bolts Ø5/16**1"L		6
H2	Big Long Bolts Ø5/16**2"L		5
H3	Small Bolts Ø1/4**1-1/2"L		4
H4	Small Bolts Ø1/4**1-3/4"L		4
H5	Big Lock Washers Ø5/16"		11
H6	Big Flat Washers Ø5/16"x19mm		11
H7	Big Allen Wrench Ø5/16		1
H8	Small Lock Washers Ø1/4"		4
H9	Small Flat Washers Ø1/4"x12mm		4
H10	Small Flat Washers Ø1/4"x19mm		4
H11	Small Allen Wrench Ø1/4		1
H12	Wooden Plugs		4

DISCLAIMER:

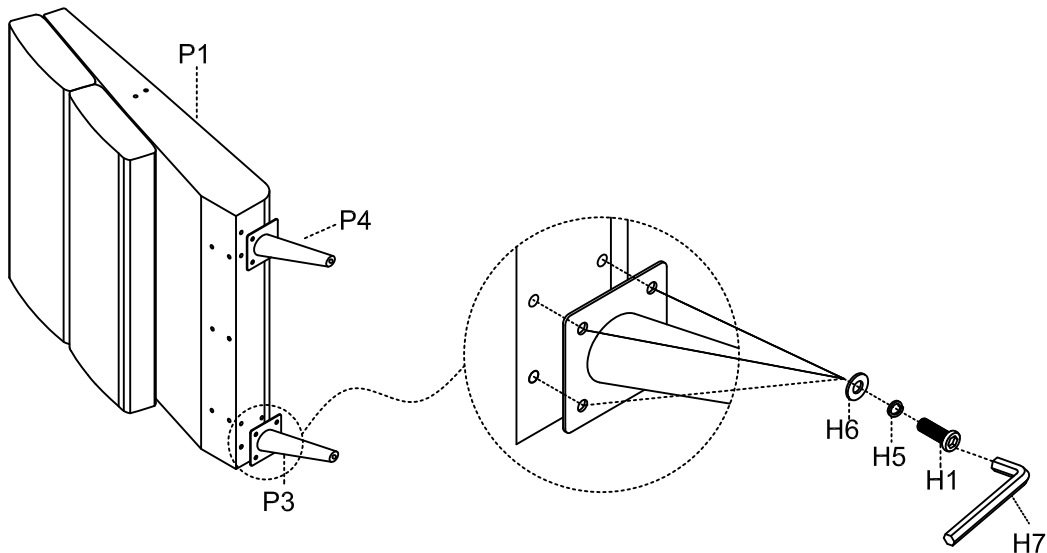
WHEN PROPERLY ASSEMBLED, THIS ITEM IS SAFE FOR INTENDED USE. SELLER IS NOT LIABLE FOR ANY DAMAGES RESULTING FROM ITEM BEING IMPROPERLY ASSEMBLED AFTER PURCHASE.

Note: It will be take around 15 minutes to assembly the chair by an adult.





Assembly Procedures:

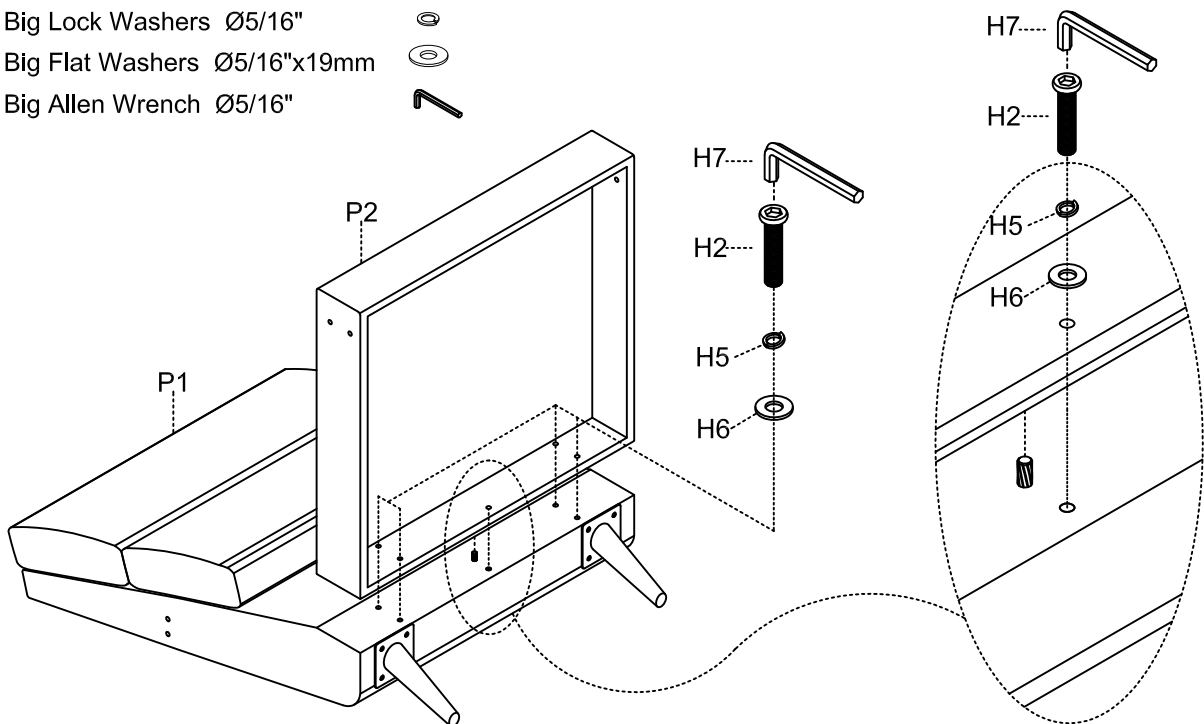
Step 1. Assemble the chair on a flat, soft surface such as a carpet or cloth to prevent scratching the finish. Attach the left back leg (P3) and right back leg (P4) to the bottom of back cushion (P1) as shown below.

- (H1)x6 Big Short Bolts $\text{Ø}5/16'' \times 1''$ 
- (H5)x6 Big Lock Washers $\text{Ø}5/16''$ 
- (H6)x6 Big Flat Washers $\text{Ø}5/16'' \times 19\text{mm}$ 
- (H7)x1 Big Allen Wrench $\text{Ø}5/16''$ 



Step 2. Attach the seat frame (P2) to the assembled back cushion (P1) as shown below. **Do not tighten the bolts on this step.**

- (H2)x5 Big Long Bolts $\text{Ø}5/16'' \times 2''$ 
- (H5)x5 Big Lock Washers $\text{Ø}5/16''$ 
- (H6)x5 Big Flat Washers $\text{Ø}5/16'' \times 19\text{mm}$ 
- (H7)x1 Big Allen Wrench $\text{Ø}5/16''$ 



Step 3. Attach left arm with Leg (P5) and right arm with Leg (P6) to the assembled seat frame (P2) and back cushion (P1) as shown below.

(H3)x4 Small Bolts $\text{\O}1/4'' \times 1-1/2''\text{L}$

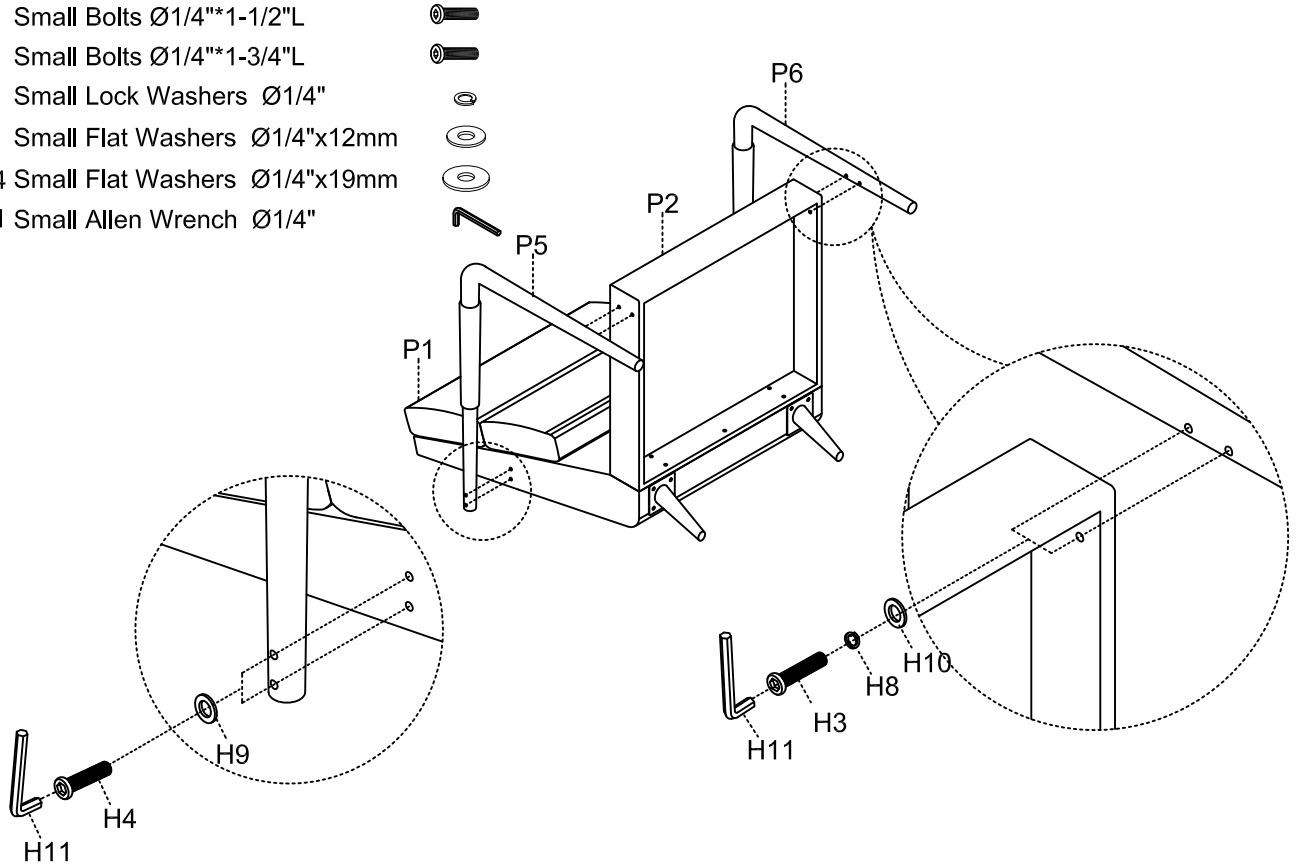
(H4)x4 Small Bolts $\text{\O}1/4'' \times 1-3/4''\text{L}$

(H8)x4 Small Lock Washers $\text{\O}1/4''$

(H9)x4 Small Flat Washers $\text{\O}1/4'' \times 12\text{mm}$

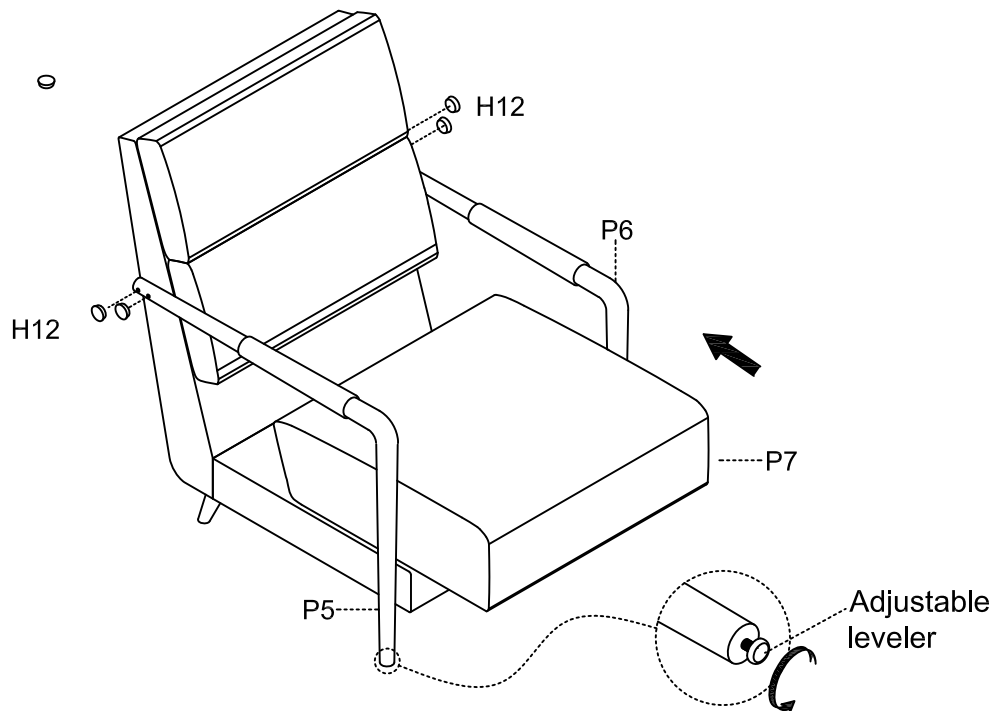
(H10)x4 Small Flat Washers $\text{\O}1/4'' \times 19\text{mm}$

(H11)x1 Small Allen Wrench $\text{\O}1/4''$



Step 4. a) Securely tighten all bolts with Allen wrench (H7 & H11), turn the assembled chair to an upright position.
 b) Insert the wooden plugs (H12) to the arm with Legs (P5 & P6) as shown below. **Failure to follow these instructions may cause the bolts to misalign during assembly.** Assembly is complete.
 c) **Leveler adjustment:** Levelers are pre-installed on the front legs and adjust as needed to make sure the chair is level.

(H12)x4 Wooden Plugs



ADDITIONAL NOTE ABOUT SAFETY: BOLTS MAY LOOSEN DURING NORMAL EVERYDAY USE. THEY SHOULD BE PERIODICALLY INSPECTED AND RE-TIGHTENED TO PREVENT DAMAGE OR INJURY. ALWAYS CHECK TO ENSURE THAT ALL HARDWARE IS KEPT TIGHTENED.

Thank you for your purchase