



ASSEMBLY INSTRUCTIONS

Description: FIONA COUNTER STOOL



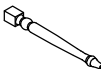
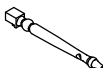

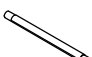
Important safety instructions:

- Please read carefully all instructions before assembly.
- For your safety and ease, assembly by two or more adults is recommended.
- Keep instructions for future use.







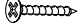
Pre-assembly:

- Do not discard any content until assembly is complete to avoid accidentally discarding small parts or hardware.
- Take out all parts and hardware from box.

Parts List

Item	Description	QTY
P1	Chair Back 	1
P2	Seat Frame 	1
P3	Left Front Leg 	1
P4	Right Front Leg 	1
P5	Side Stretchers 	2
P6	Front Stretcher 	1

Hardware List

Item	Description	QTY
H1	Bolts M6 x 1-1/2" 	2
H2	Bolts M6 x 2-3/8" 	4
H3	Bolts M6 x 3" 	4
H4	Lock Washers 6 	10
H5	Flat Washers 6 	10
H6	Allen Key 	1
H7	Screws M4 x 1-1/4" 	6






DISCLAIMER:

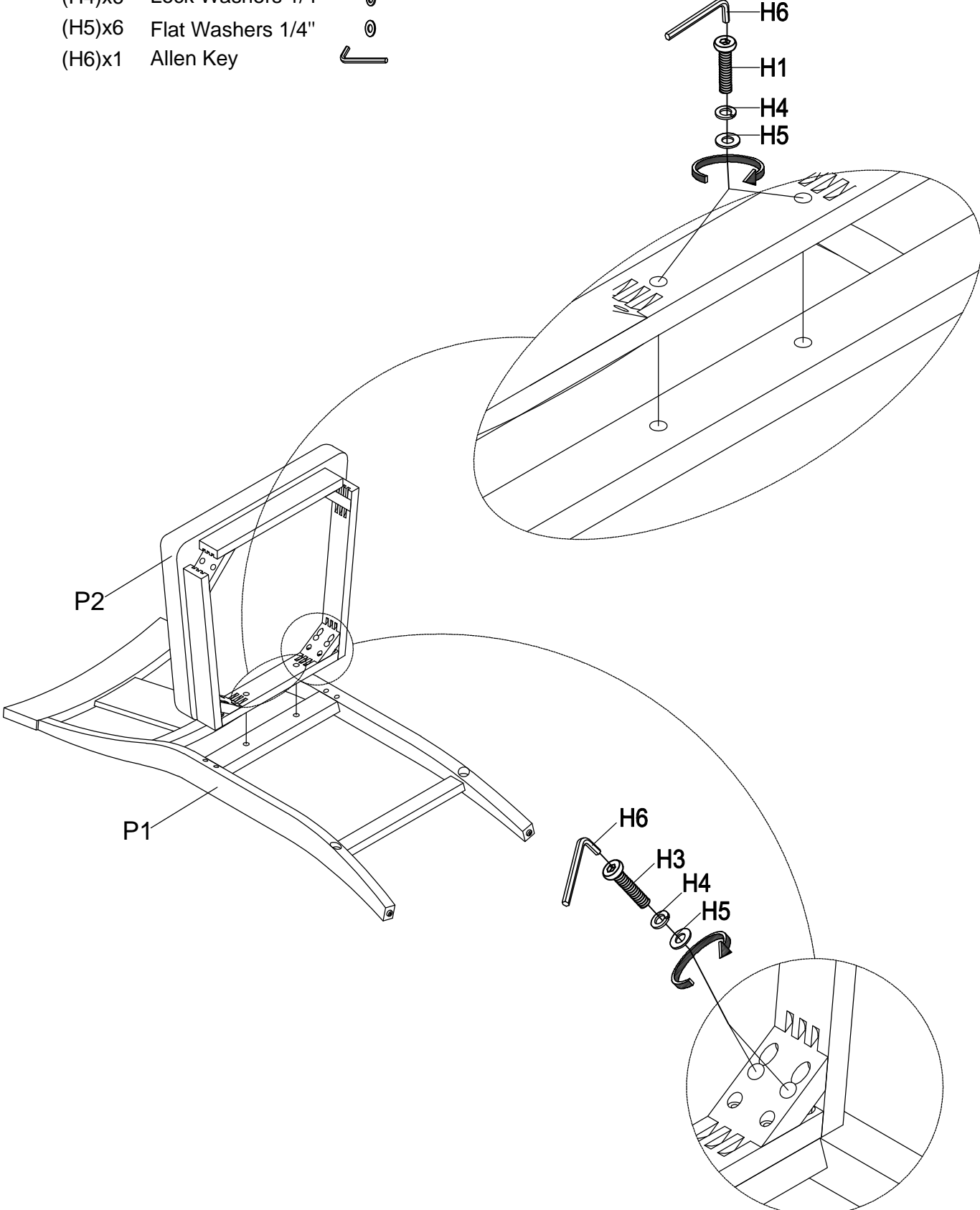
WHEN PROPERLY ASSEMBLED, THIS ITEM IS SAFE FOR INTENDED USE. SELLER IS NOT LIABLE FOR ANY DAMAGES RESULTING FROM ITEM BEING IMPROPERLY ASSEMBLED AFTER PURCHASE.

Assembly Procedures:

*Assemble the Chair on a flat, soft surface such as a carpet or cloth to prevent scratching the finish.

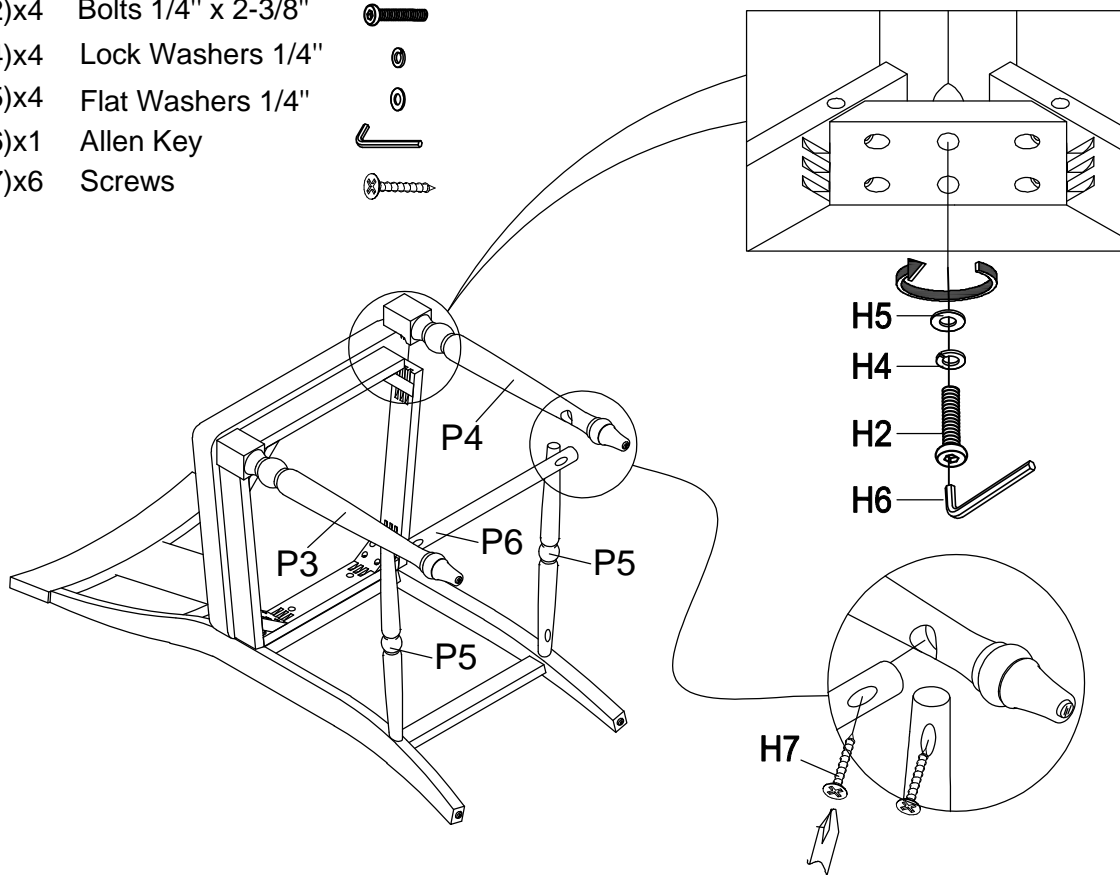
Step 1: Attach the Seat Frame (P2) to the Chair Back (P1) as shown below.

- (H1)x2 Bolts 1/4" x 1-1/2" 
- (H3)x4 Bolts 1/4" x 3" 
- (H4)x6 Lock Washers 1/4" 
- (H5)x6 Flat Washers 1/4" 
- (H6)x1 Allen Key 

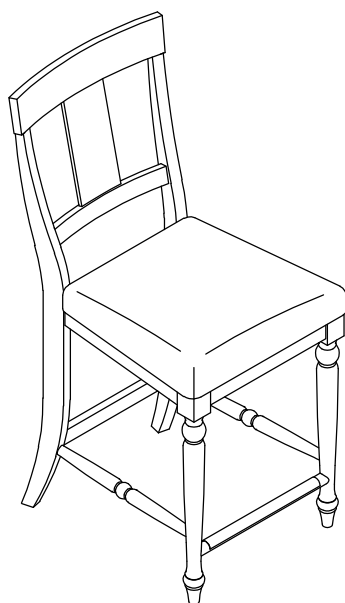


Step 2: Attach the Front Leg (P3 & P4) to the Seat Frame (P2) as shown below and do not tighten bolts.
 Attach the Side Stretchers (P5) & Front Stretcher (P6) to the Legs (P3 & P4) as shown below, at first tighten all screws and then tighten all bolts.

- (H2)x4 Bolts 1/4" x 2-3/8" 
- (H4)x4 Lock Washers 1/4" 
- (H5)x4 Flat Washers 1/4" 
- (H6)x1 Allen Key 
- (H7)x6 Screws 



Step 3: Turn the assembled chair to an upright position. Assembly is complete.



ADDITIONAL NOTE ABOUT SAFETY: BOLTS MAY LOOSEN DURING NORMAL EVERYDAY USE. THEY SHOULD BE PERIODICALLY INSPECTED AND RE-TIGHTENED TO PREVENT DAMAGE OR INJURY. ALWAYS CHECK TO ENSURE THAT ALL HARDWARE IS KEPT TIGHTENED.

Thank you for your purchase