



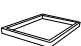

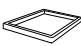


Important safety instructions:

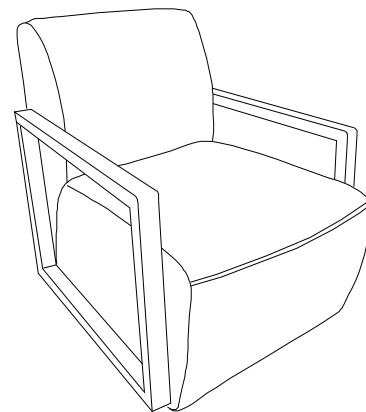
- Please read carefully all instructions before assembly.
- For your safety and ease, assembly by two or more adults is recommended.
- Keep instructions for future use.

Pre-assembly:

- Do not discard any content until assembly is complete to avoid accidentally discarding small parts or hardware.
- Take out all parts and hardware from box.

Parts List

Item	Description	QTY
P1	Chair Back 	1
P2	Seat Cushion 	1
P3	Left Arm  	1
P4	Right Arm  	1
P5	Metal Swivel 	1



Hardware List

Item	Description	QTY
H1	Small Short Bolts Ø1/4"×3/4" 	8
H2	Small Long Bolts Ø1/4"×1-3/4" 	6
H3	Small Lock Washers Ø1/4" 	14
H4	Small Flat Washers Ø1/4" 	14
H5	Big Bolts Ø5/16"×1-3/4" 	5
H6	Big Lock Washers Ø5/16" 	5
H7	Big Flat Washers Ø5/16" 	5
H8	Small Allen Wrench 1/4" 	1
H9	Big Allen Wrench 5/16" 	1
H10	Bracket 	2

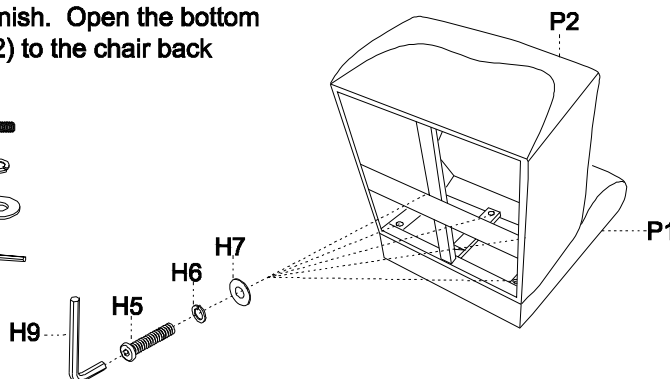
DISCLAIMER:

WHEN PROPERLY ASSEMBLED, THIS ITEM IS SAFE FOR INTENDED USE. SELLER IS NOT LIABLE FOR ANY DAMAGES RESULTING FROM ITEM BEING IMPROPERLY ASSEMBLED AFTER PURCHASE.





Assembly Procedures:

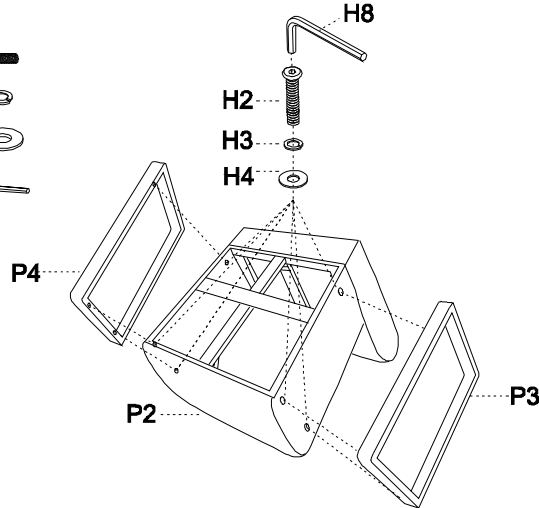
Step 1: Assemble the chair on a flat, soft surface such as a carpet or cloth to prevent scratching the finish. Open the bottom covering, then attach the seat cushion (P2) to the chair back (P1) as shown below.

- (H5)x5 Big Bolts Ø5/16"×1-3/4" 
- (H6)x5 Big Lock Washers Ø5/16" 
- (H7)x5 Big Flat Washers Ø5/16" 
- (H9)x1 Big Allen Wrench 5/16" 



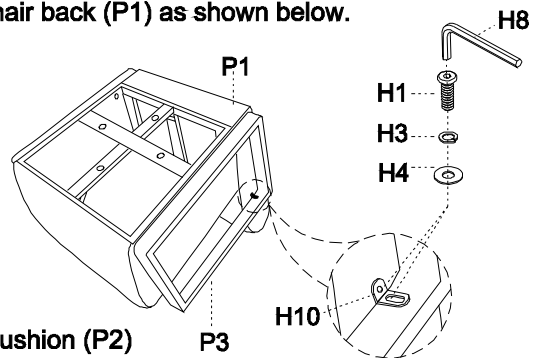
Step 2. Attach the left arm (P3) and right arm (P4) to the seat cushion (P2) as shown below.

- (H2)x6 Small Long Bolts $\varnothing 1/4'' \times 1-3/4''$ 
- (H3)x6 Lock Washers $\varnothing 1/4''$ 
- (H4)x6 Flat Washers $\varnothing 1/4''$ 
- (H8)x1 Allen Wrench $1/4''$ 






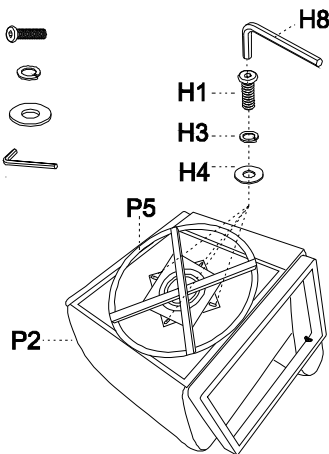
Step 3. Attach the left arm (P3) and right arm (P4) to the chair back (P1) as shown below.

- (H1)x4 Small Short Bolts $\varnothing 1/4'' \times 3/4''$ 
- (H3)x4 Lock Washers $\varnothing 1/4''$ 
- (H4)x4 Flat Washers $\varnothing 1/4''$ 
- (H8)x1 Allen Wrench $1/4''$ 
- (H10)x2 Bracket 

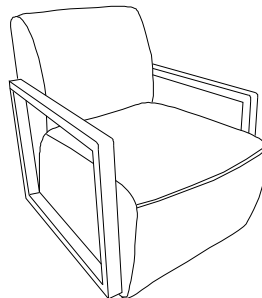


Step 4. Attach the metal swivel (P5) to the bottom of seat cushion (P2) as shown below.

- (H1)x4 Small Short Bolts $\varnothing 1/4'' \times 3/4''$ 
- (H3)x4 Lock Washers $\varnothing 1/4''$ 
- (H4)x4 Flat Washers $\varnothing 1/4''$ 
- (H8)x1 Allen Wrench $1/4''$ 



Step 5. Securely tighten all bolts, turn the assembled chair to an upright position. Assembly is complete. Failure to follow these instructions may cause the bolts to misalign during assembly.



ADDITIONAL NOTE ABOUT SAFETY: BOLTS MAY LOOSEN DURING NORMAL EVERYDAY USE. THEY SHOULD BE PERIODICALLY INSPECTED AND RE-TIGHTENED TO PREVENT DAMAGE OR INJURY. ALWAYS CHECK TO ENSURE THAT ALL HARDWARE IS KEPT TIGHTENED.

Thank you for your purchase