







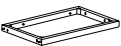





#### Important safety instructions:

- Please read carefully all instructions before assembly.
- For your safety and ease, assembly by two or more adults is recommended.
- Keep instructions for future use.









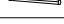
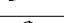
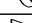

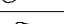
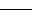
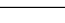
#### Pre-assembly:

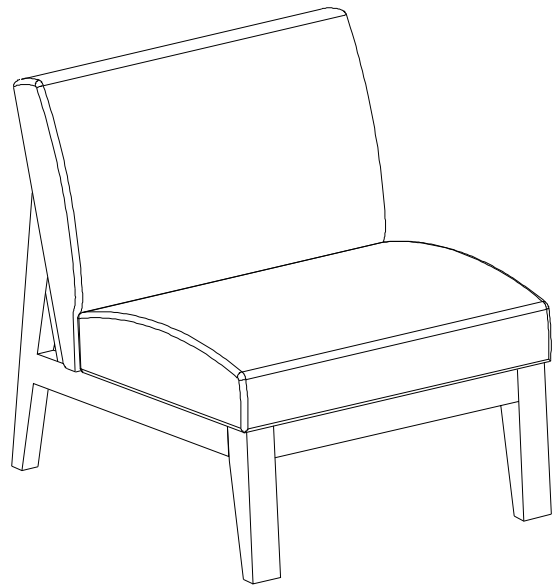
- Do not discard any content until assembly is complete to avoid accidentally discarding small parts or hardware.
- Take out all parts and hardware from box.

#### Parts List

Item	Description	QTY
P1	Left Arm  	1
P2	Right Arm  	1
P3	Seat Cushion 	1
P4	Back Cushion 	1
P5	Seat Frame 	1
P6	Back Top Rail 	1
P7	Back Bottom Rail  	1
P8	Front Rail  	1

#### Hardware List

Item	Description	QTY
H1	Bolts Ø5/16"*2"	 4
H2	Bolts Ø1/4"*2-1/2"	 4
H3	Lock Washers Ø5/16"	 4
H4	Flat Washers Ø5/16"*22mm	 4
H5	Lock Washers Ø1/4"	 4
H6	Flat Washers Ø1/4"*13mm	 2
H7	Flat Washers Ø1/4"*22mm	 2
H8	Big Allen Wrench 5/16"	 1
H9	Small Allen Wrench 1/4"	 1
H10	Threaded Rod Ø5/16"	 2
H11	Nuts Ø5/16"	 2
H12	Half-round Washer 5/16"	 2
H13	Open Wrench 5/16"	 1
H14	Wooden Plugs	 2
H15	Wood Screw	 4



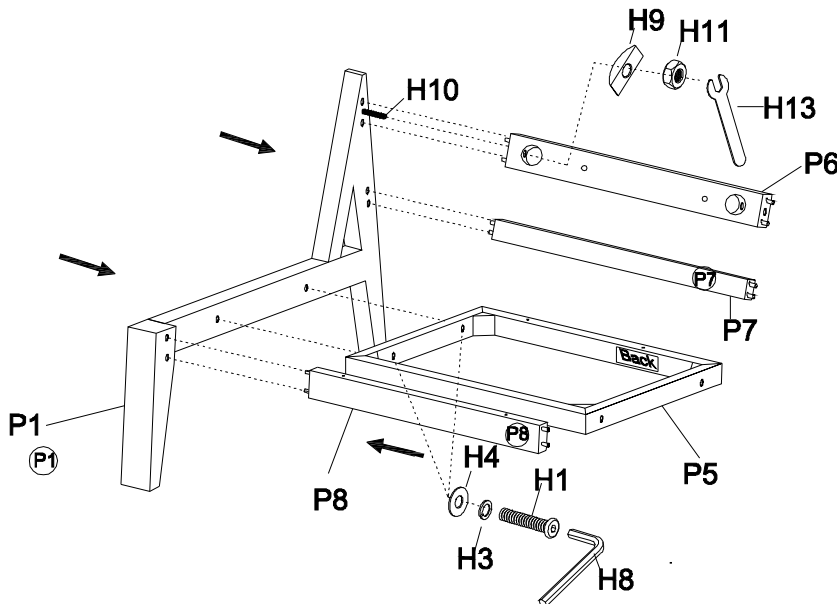
#### DISCLAIMER:

WHEN PROPERLY ASSEMBLED, THIS ITEM IS SAFE FOR INTENDED USE. SELLER IS NOT LIABLE FOR ANY DAMAGES RESULTING FROM ITEM BEING IMPROPERLY ASSEMBLED AFTER PURCHASE.

### Assembly Procedures:

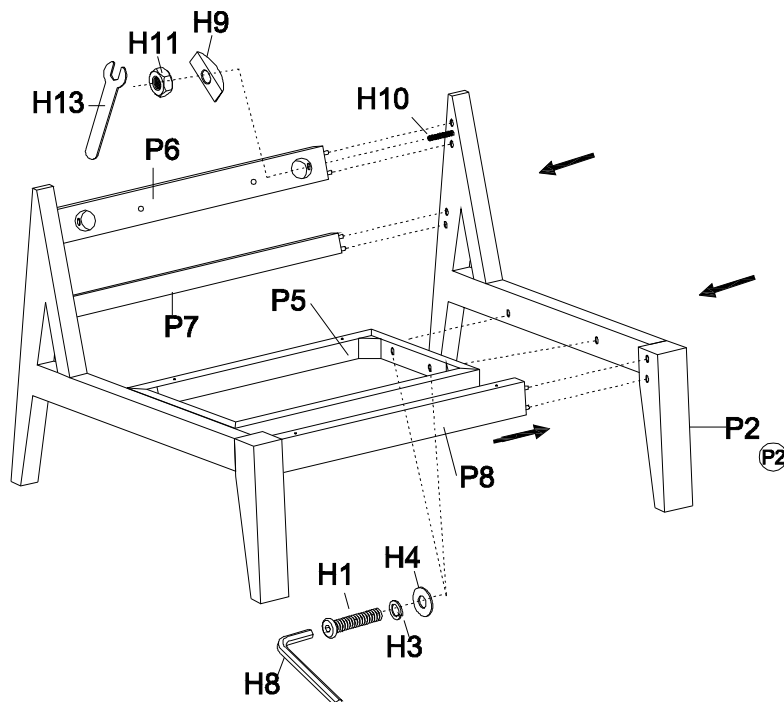
Step 1. Assemble the lounge on a flat, soft surface such as a carpet or cloth to prevent scratching the finish.

- 1) Screw the Threaded Rod ( H10) into the left arm ( P1).
- 2) Attach the back top rail ( P6), back bottom rail ( P7) with label "P7", seat frame ( P5) with label "Back" and front rail ( P8) with label "P8" to the left arm ( P1) as show below. Loosely tighten all bolts with big Allen wrench ( H8) and open wrench ( H13).

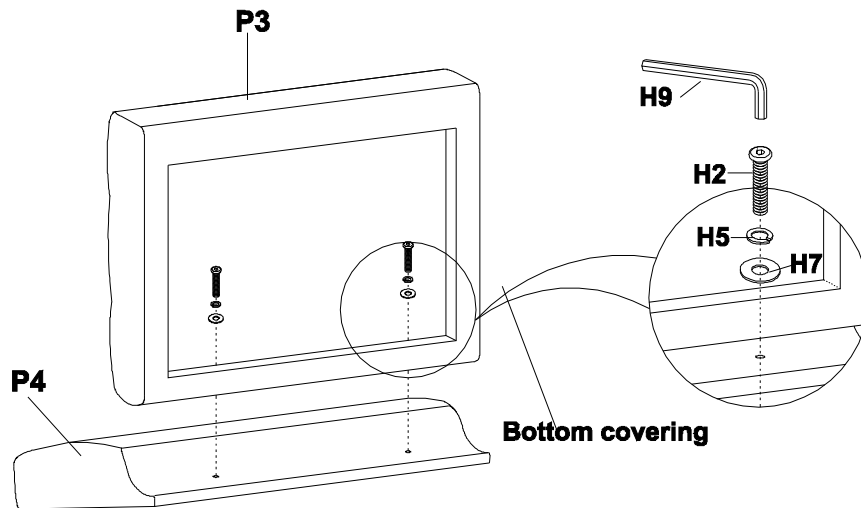


### Step 2.

- 1) Screw the Threaded Rod ( H10) into the right arm ( P2).
- 2) Attach the right arm ( P2) to the back top rail ( P6), back bottom rail ( P7), seat frame ( P5) and front rail ( P8) as shown below. Loosely tighten all bolts with big Allen wrench ( H8) and open wrench ( H13).

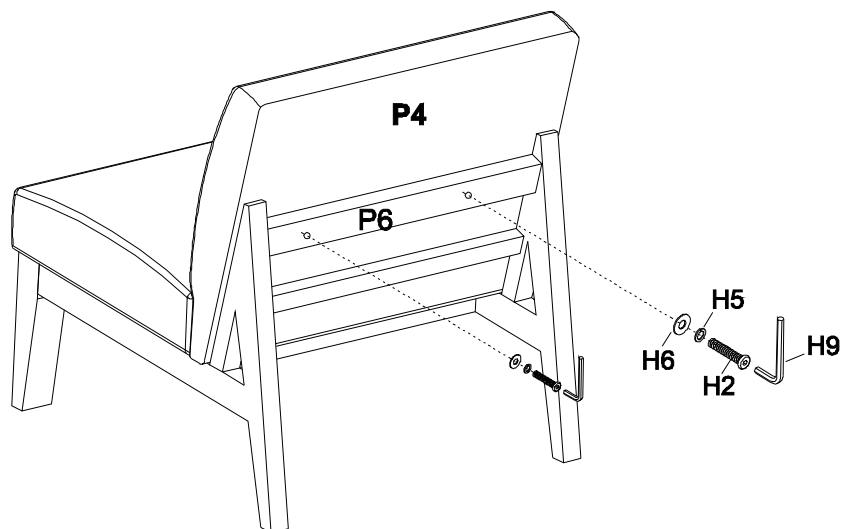


**Step 3. Attach the seat cushion (P3) to the back cushion (P4) as shown below. Securely tighten all bolts with small Allen wrench (H9).**

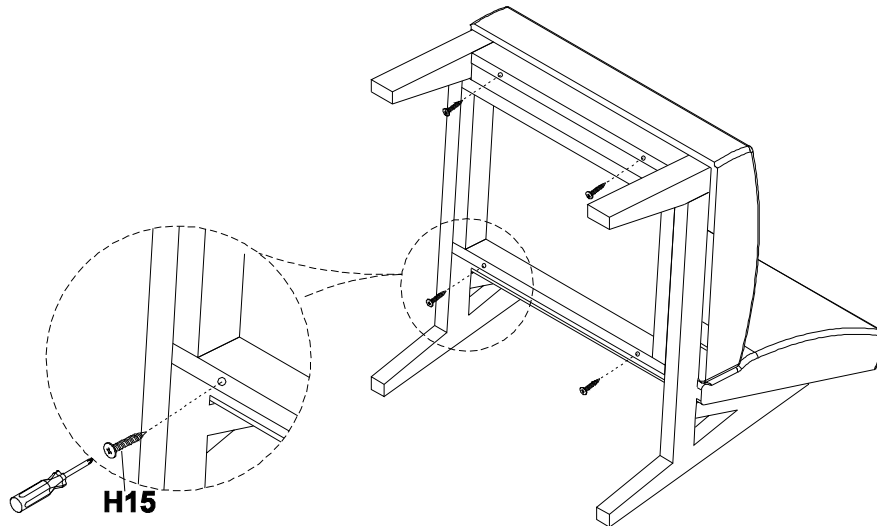


**Step 4.**

- 1) Securely tighten all bolts with Allen wrench (H8, H9) and open wrench (H13).
- 2) Hold the assembled seat cushion (P3) and back cushion (P4) by two or more adults is recommended.
- 3) Attached the assembled back top rail (P6) to the back of back cushion (P4) .
- 4) Securely tighten all the bolts with small Allen wrench (H9).



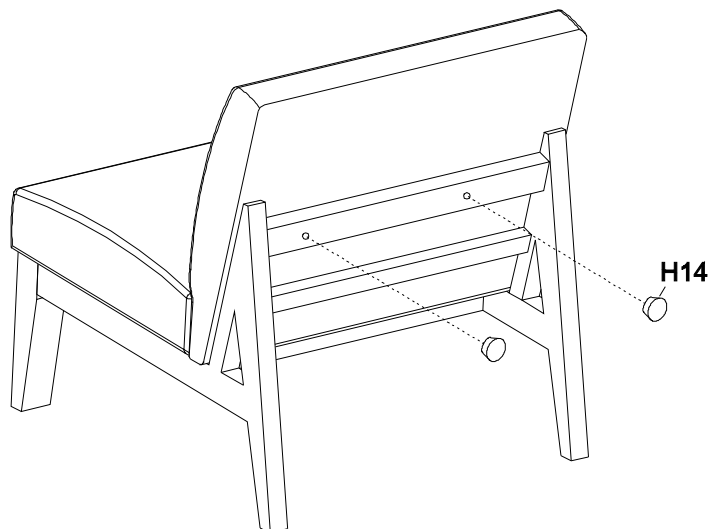
**Step 5. Attach the seat frame (P5) to the bottom of seat cushion (P3) using wood screw (H15). Tighten all screw with screwdriver (not provided)**



**Screw driver(not provided)**

**Step 6.**

- 1) Turn the assembled chair to an upright position. Securely tighten all bolts with big/small Allen wrenches (H8, H9) and open wrench (H13), but do not over tighten the bolts.
- 2) Attach wooden plugs (H14) to each each exposed bolt hole, tighten with rubber hammer to knock the wooden plug till its tighten. Note: use a soft cloth between the wooden plug and hammer to prevent damage to wooden plug finish.
- 3) Assembly is complete. Failure to follow these instructions may cause the bolts to misalign during assembly.



**ADDITIONAL NOTE ABOUT SAFETY: BOLTS MAY LOOSEN DURING NORMAL EVERYDAY USE. THEY SHOULD BE PERIODICALLY INSPECTED AND RE-TIGHTENED TO PREVENT DAMAGE OR INJURY. ALWAYS CHECK TO ENSURE THAT ALL HARDWARE IS KEPT TIGHTENED.**

**Thank you for your purchase**