



ASSEMBLY INSTRUCTIONS

Description: PLAYA COUNTER STOOL

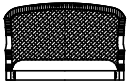
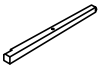
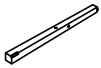


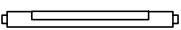
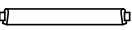


Important safety instructions:

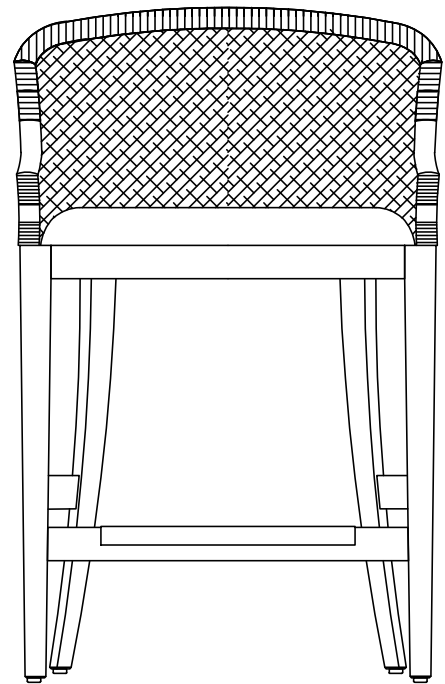
- Please carefully read all instructions before assembling.
- For your safety and ease, assembly by two or more adults is recommended.
- Keep instructions for future use.

Pre-assembly:







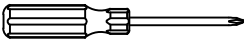
- Do not discard any contents until after assembly is complete to avoid accidentally discarding small parts or hardware.
- Remove all parts and hardware from box along with any plastic protective packaging.

Parts List

Item	Description		QTY
P1	REST & REMOVABLE SEAT & REMOVABLE CUSHION		1
P2	FRONT LEG RIGHT		1
P3	FRONT LEG LEFT		1
P4	BACK LEG RIGHT		1
P5	BACK LEG LEFT		1
P6	FRONT STRETCHER		1
P7	BACK STRETCHER		1
P8	RIGHT STRETCHER		1
P9	LEFT STRETCHER		1



Hardware List

Item	Description		QTY
H1	Bolts M6 X 50 mm		4
H2	Bolts M6 X 60 mm		4
H3	Lock Washer Ø6 x Ø11 x 2mm		8
H4	Flat Washer Ø6 x Ø16 x 1mm		8
H5	Allen Wrench 4 mm		1
H6	Screw JF 8 x 2"		8
H7	 Screw Driver (Not Include)		

DISCLAIMER:

WHEN PROPERLY ASSEMBLED, THIS ITEM IS SAFE FOR INTENDED USE. SELLER IS NOT LIABLE FOR ANY DAMAGES RESULTING FROM ITEM BEING IMPROPERLY ASSEMBLED AFTER PURCHASE.



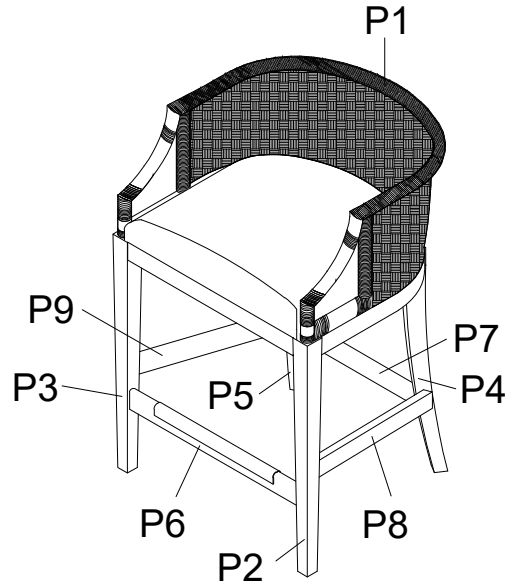
ASSEMBLY INSTRUCTIONS

Description: PLAYA COUNTER STOOL

Assembly Procedures:

Step 1.

1) Assemble the Blake Accent Chair on a flat, soft surface such as a carpet or cloth to prevent scratching the finishing.



2) Attach Front legs Right (P2), Attach Front Leg Left (P3) to Chair top (P1) using Allen key (H5), Lock washer (H3), Flat washers (H4), and 50 MM Bolt (H1) and Attach Back Leg Right (P4), Attach Back Leg Left (P5) to Chair top (P1) using Allen key (H5), Lock washer (H3), Flat washers (H4), and 60 MM Bolt (H2). (Don't tighten all bolts on this step).

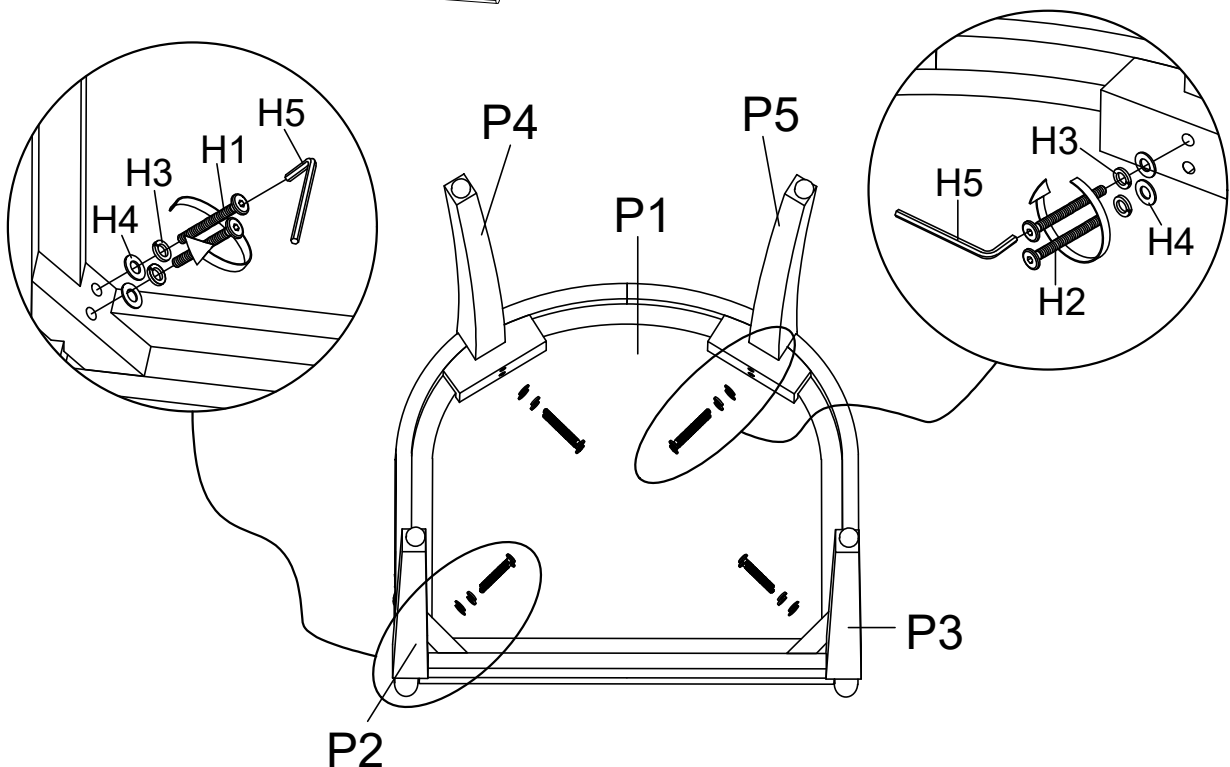
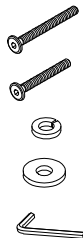
(H1)x4 Bolts M6 X 50 mm

(H2)x4 Bolts M6 X 60 mm

(H3)x8 Lock Washer Ø6 x Ø11 x 2mm

(H4)x8 Flat Washer Ø6 x Ø16 x 1mm

(H5)x1 Allen Wrench 4 mm





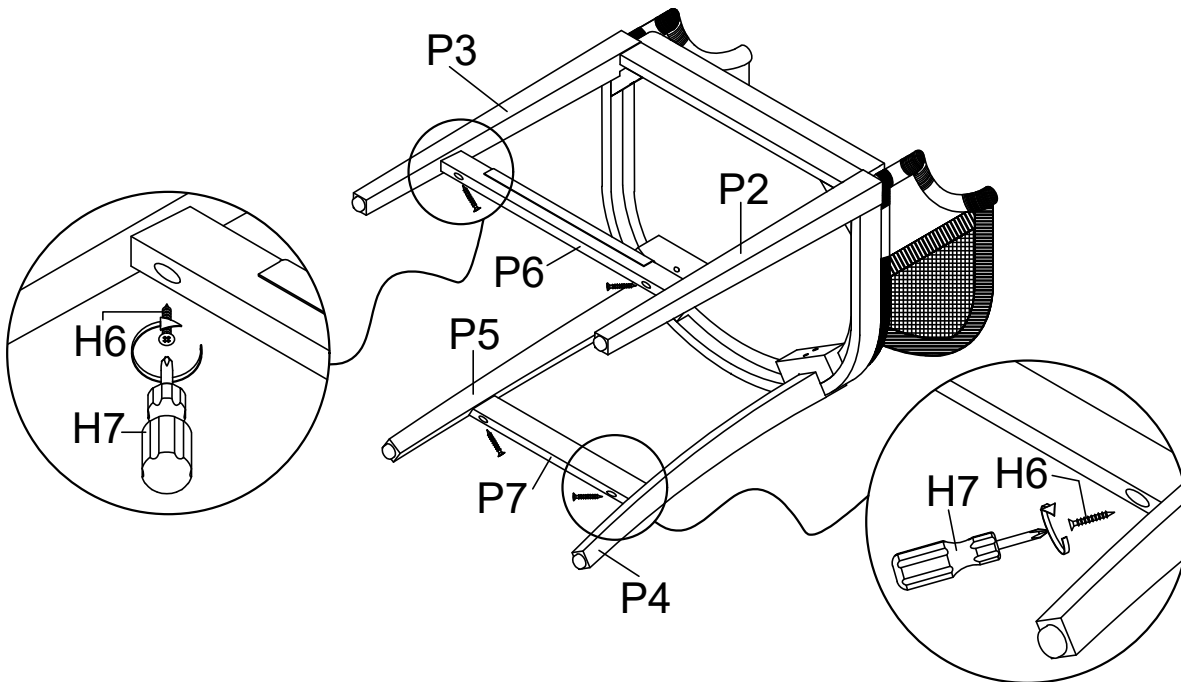
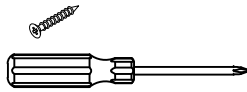
ASSEMBLY INSTRUCTIONS

Description: PLAYA COUNTER STOOL

Step 2: Attach Front Stretcher (P6) to Front Leg Right (P2), Front Leg Left (P3) using Screw Driver (H7), Screw JF 8 x 2" (H6) and Attach Back Stretcher (P7) to Back Leg Right (P4), Back Leg Left (P5) using Screw Driver (H7), Screw JF 8 x 2" (H6)

(H6)x4 Screw JF 8 x 2"

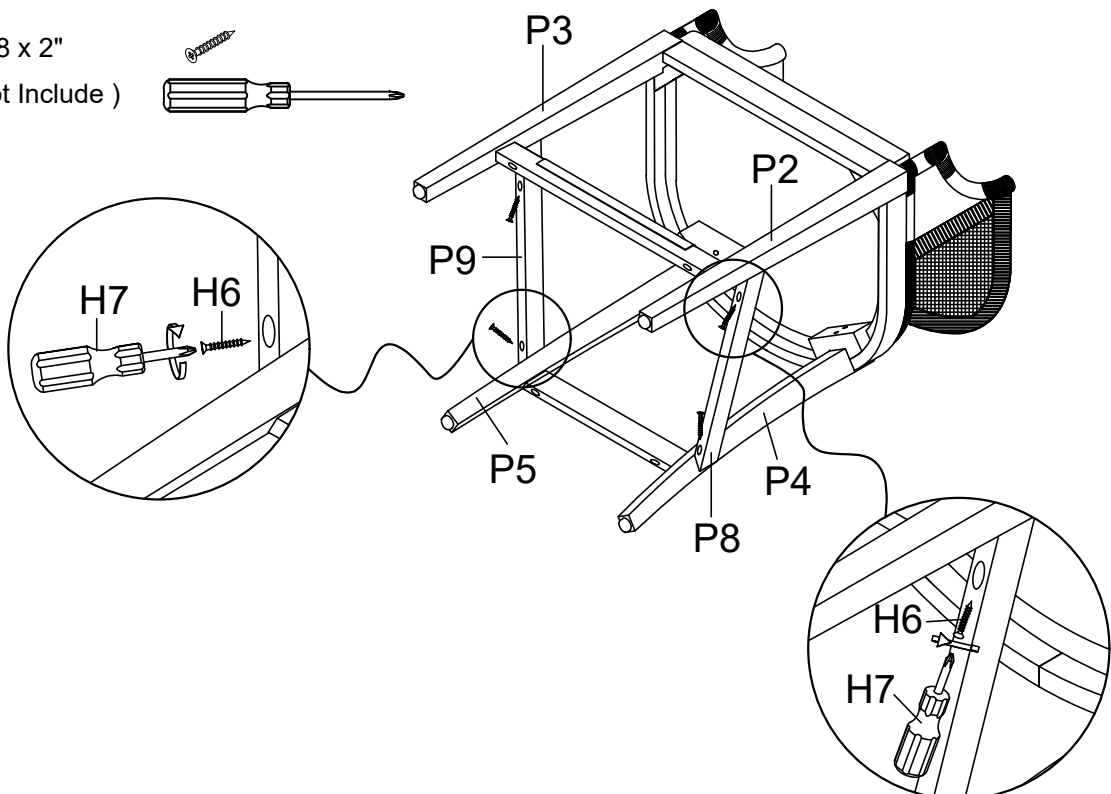
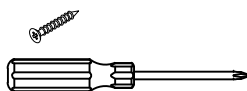
Screw Driver (Not Include)



Step 3: Attach Right Stretcher (P8) to Front Leg Right (P2), Back Leg Right (P4) using Screw Driver (H7), Screw JF 8 x 2" (H6) and Attach Left Stretcher (P9) to Front Leg Left (P3), Back Leg Left (P5) using Screw Driver (H7), Screw JF 8 x 2" (H6).
(Then tighten all bolts on this step).

(H6)x4 Screw JF 8 x 2"

Screw Driver (Not Include)

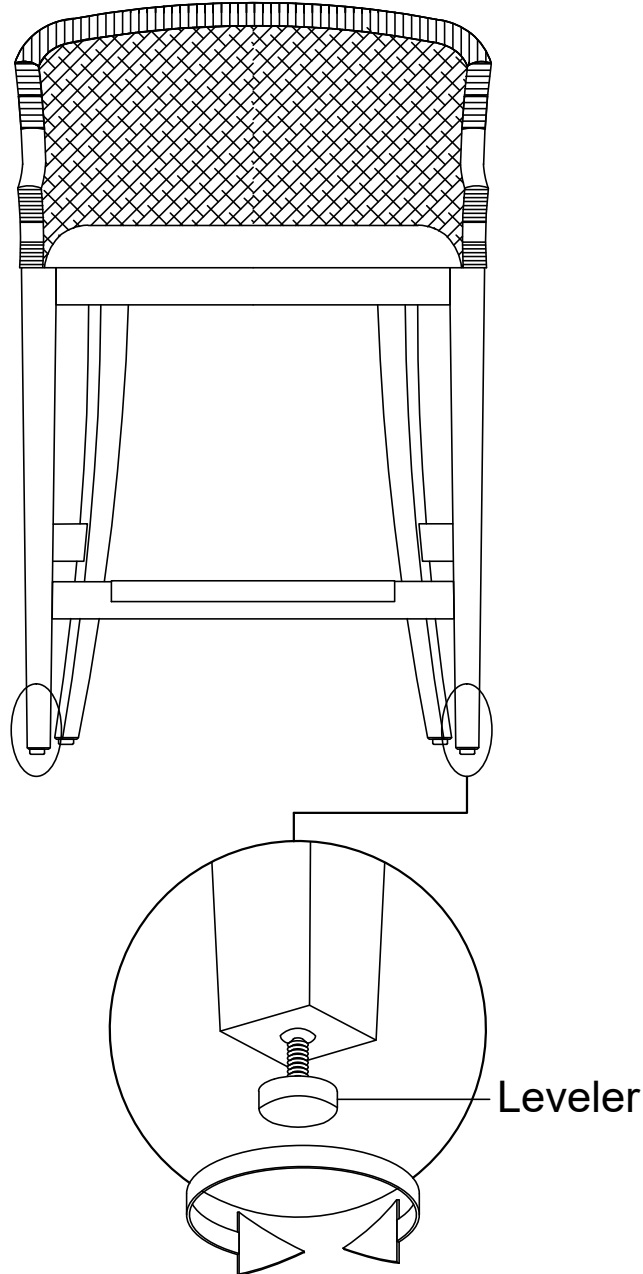




ASSEMBLY INSTRUCTIONS

Description: PLAYA COUNTER STOOL

Step 4. Turn the assembled chair to an upright position. Assembly is complete.



Note: Levelers on the front legs

ADDITIONAL NOTE ABOUT SAFETY: BOLTS MAY LOOSEN DURING NORMAL EVERYDAY USE. THEY SHOULD BE PERIODICALLY INSPECTED AND RE-TIGHTENED TO PREVENT DAMAGE OR INJURY. ALWAYS CHECK TO ENSURE THAT ALL HARDWARE IS KEPT TIGHTENED.

Disclaimer: When properly assembled, this item is safe for intended use. Seller is not liable for any damages resulting from item being improperly assembled after purchase.

Thank you for your purchase