











Important safety instructions:

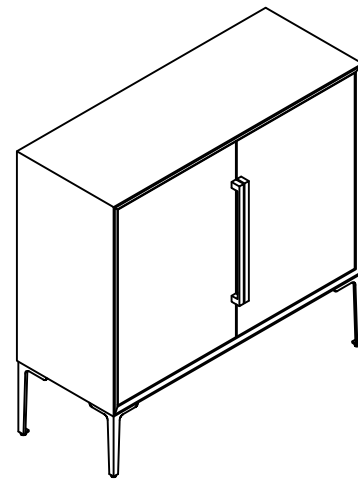
- Please read carefully all instructions before assembly.
- For your safety and ease, assembly by two or more adults is recommended.
- Keep instructions for future use.

Pre-assembly:

- Do not discard any content until assembly is complete to avoid accidentally discarding small parts or hardware.
- Take out all parts and hardware from box.

Parts List

Item	Description	QTY
P1	Top Panel 	1
P2	Left Side Panel 	1
P3	Right Side Panel 	1
P4	Back Panels 	2
P5	Bottom Panel 	1
P6	Metal Legs 	4
P7	Shelf 	1
P8	Left Door 	1
P9	Right Door 	1
P10	Handles 	2



Hardware List

Item	Description	QTY
H1	Long Bolts Ø5/16"×1-3/8"L 	8
H2	Lock Washers 5/16" 	20
H3	Flat washers 5/16" 	20
H4	Allen Wrench 5/16" 	1
H5	Short Bolts Ø5/16"×5/8"L 	12
H6	Magnetic Touch 	2
H7	Screws #4×5/8" 	28
H8	Hinges 	4
H9	Small Bolts 	4
H10	Plastic Washers 5/8" 	4
H11	Shelf Pins 	4
H12	Anti Tip Kit 	1 SET

DISCLAIMER:

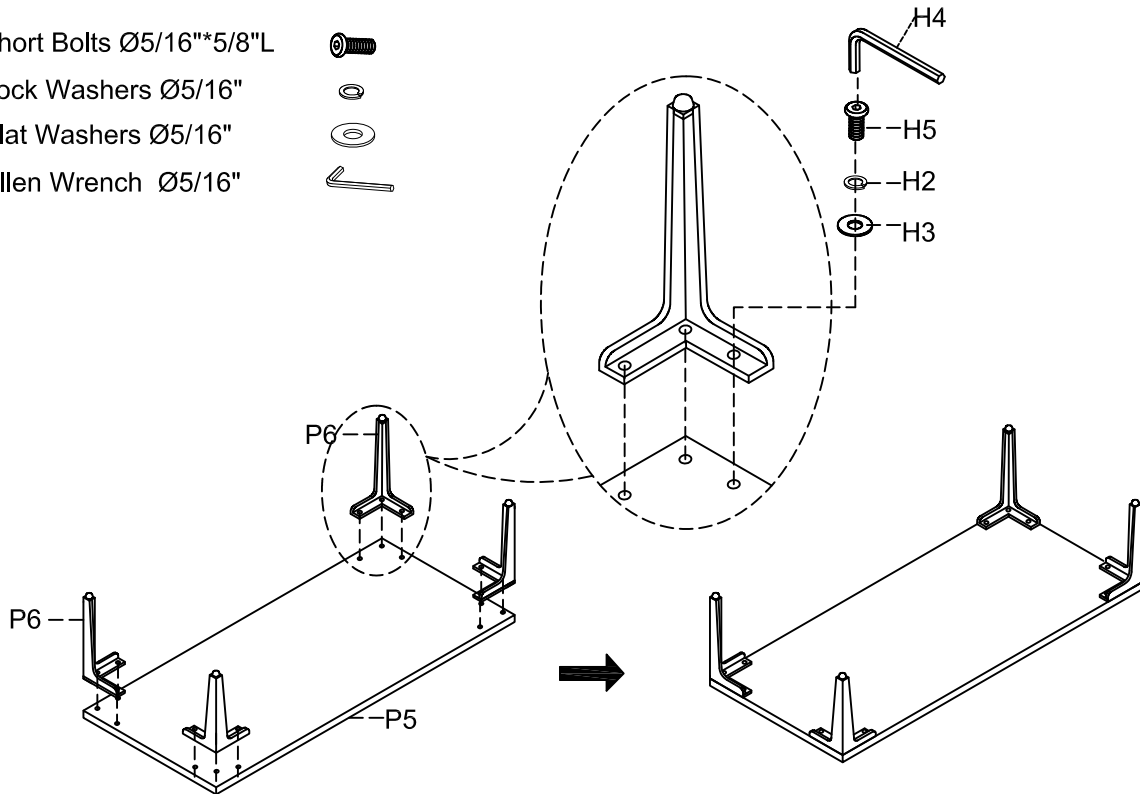
WHEN PROPERLY ASSEMBLED, THIS ITEM IS SAFE FOR INTENDED USE. SELLER IS NOT LIABLE FOR ANY DAMAGES RESULTING FROM ITEM BEING IMPROPERLY ASSEMBLED AFTER PURCHASE.

It will take approximately 20 minutes for two adults to assemble.

Assembly Procedures:

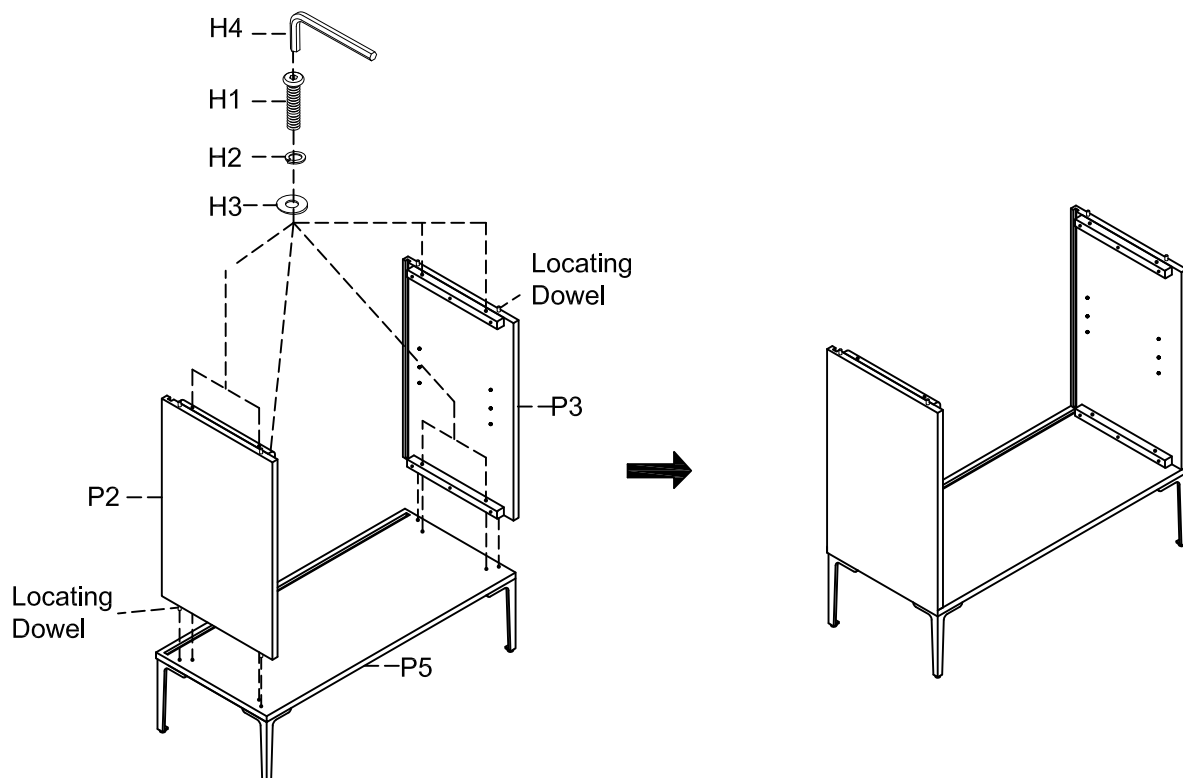
Step 1. Place the cabinet parts on a flat, soft surface such as a carpet or cloth to prevent scratching the finish. Attach the metal legs (P6) to the bottom of bottom panel (P5) as shown below.

- (H5)x12 Short Bolts $\text{\O}5/16'' \times 5/8'' \text{L}$
- (H2)x12 Lock Washers $\text{\O}5/16''$
- (H3)x12 Flat Washers $\text{\O}5/16''$
- (H4)x1 Allen Wrench $\text{\O}5/16''$

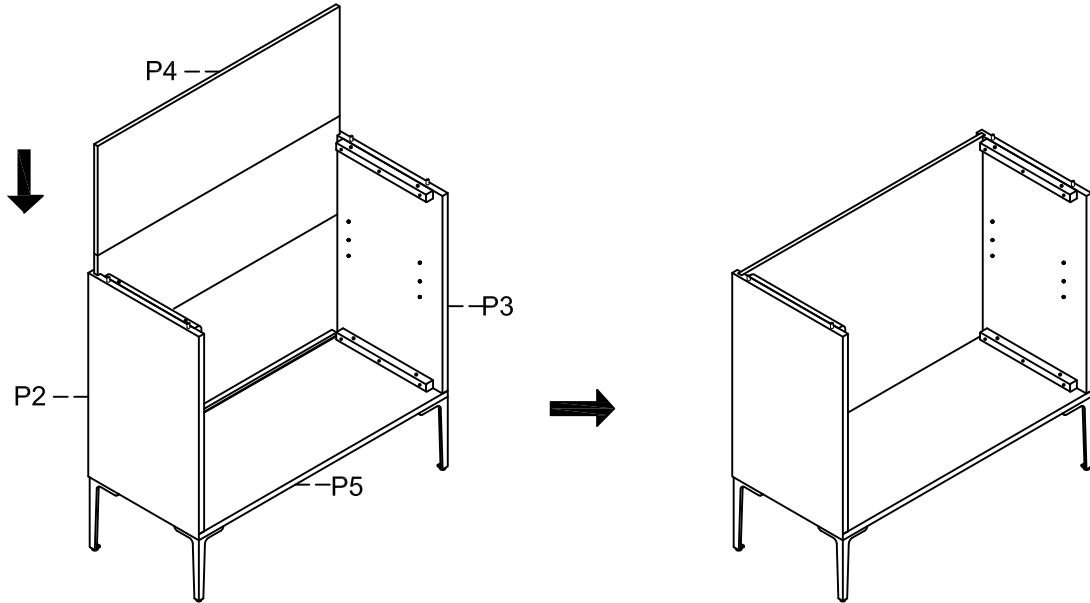


Step 2. Turn the assembled bottom panel to an upright position. Attach the left side panel (P2) and right side panel (P3) to the bottom panel (P5) as shown below.

- (H1)x4 Long Bolts $\text{\O}5/16'' \times 1-3/8'' \text{L}$
- (H2)x4 Lock Washers $\text{\O}5/16''$
- (H3)x4 Flat Washers $\text{\O}5/16''$
- (H4)x1 Allen Wrench $\text{\O}5/16''$

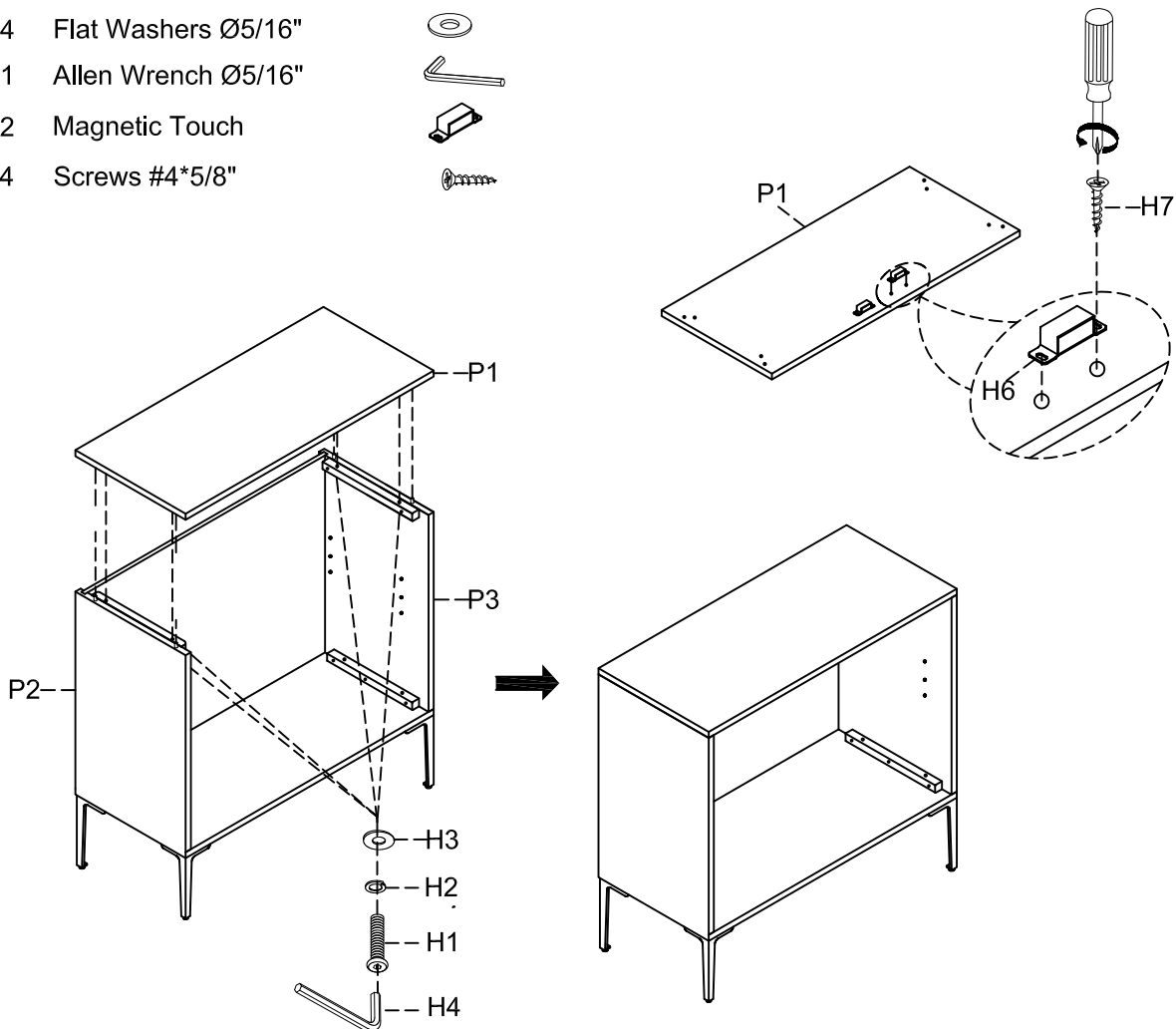


Step 3. Insert the back panels (P4) into the assembled side panels (P2 & P3) and bottom panel (P5) as shown below .



Step 4. Attach the magnetic touch (H7) to the bottom of top panel (P1), then attach the top panel (P1) to the assembled side panels (P2 & P3) as shown below.

- (H1)x4 Long Bolts $\text{Ø}5/16'' \times 1-3/8'' \text{L}$ 
- (H2)x4 Lock Washers $\text{Ø}5/16''$ 
- (H3)x4 Flat Washers $\text{Ø}5/16''$ 
- (H4)x1 Allen Wrench $\text{Ø}5/16''$ 
- (H6)x2 Magnetic Touch 
- (H7)x4 Screws $\#4 \times 5/8''$ 

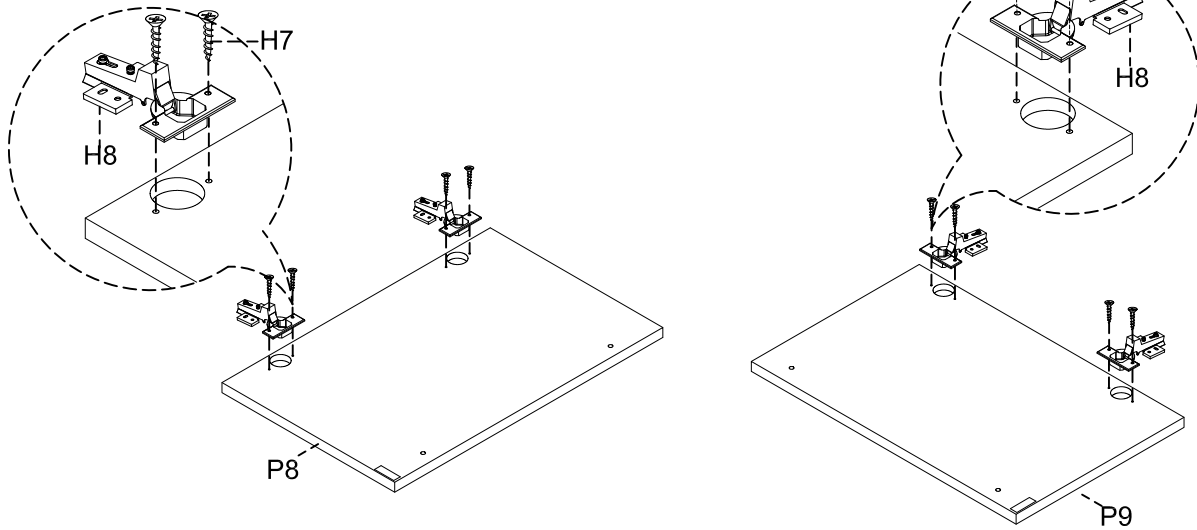


Step 5. Attach the hinges(H7) to the left door (P7) and right door (P8) as shown below

(H7)x8 Screws #4*5/8"



(H8)x4 Hinges



Step 6. Securely tighten all bolts with Allen wrench (H4).

- 1) Attach the left door (P8) and right door (P9) to the assembled chest side panels (P2& P3) as shown below.
- 2) Attach the handles (P10) to the left door (P8) and the right door (P9).

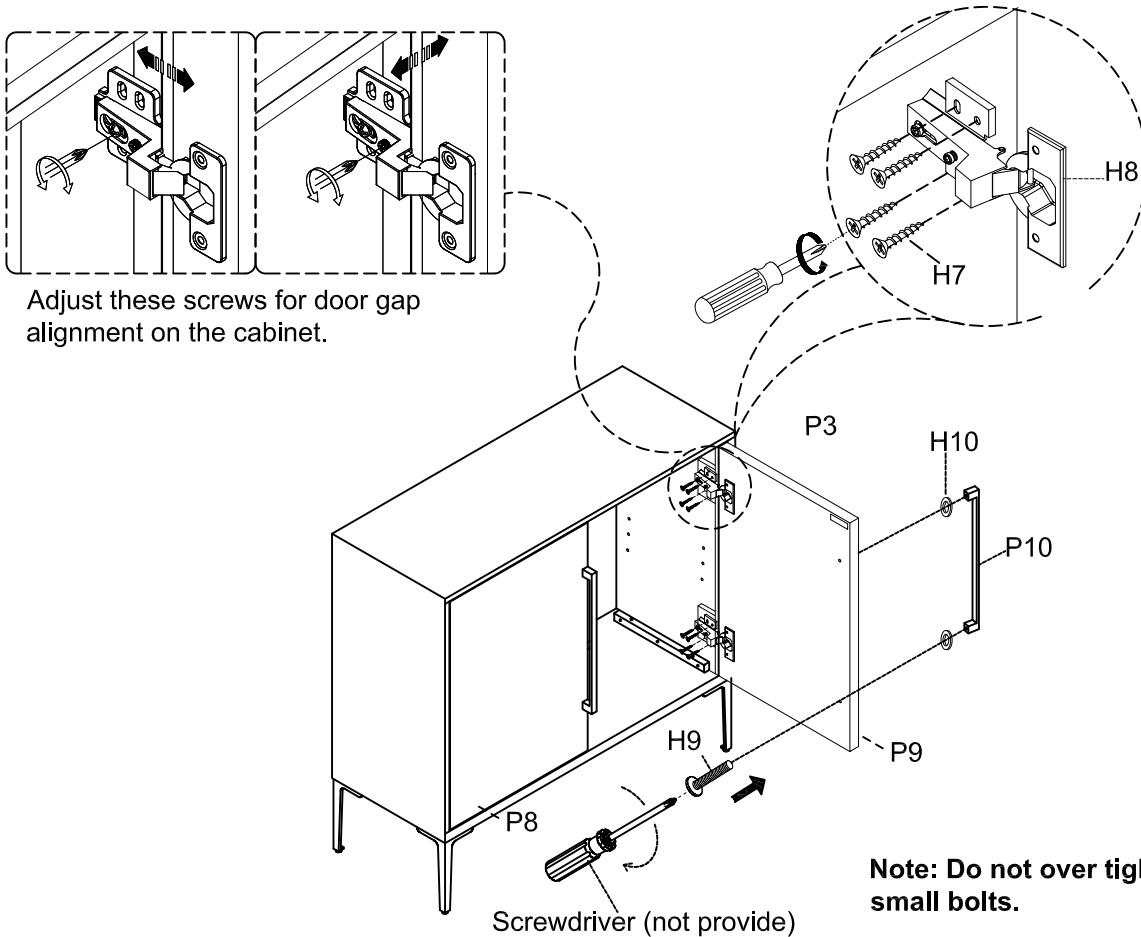
(H7)x16 Screws #4*5/8"



(H9)x4 Small Bolts

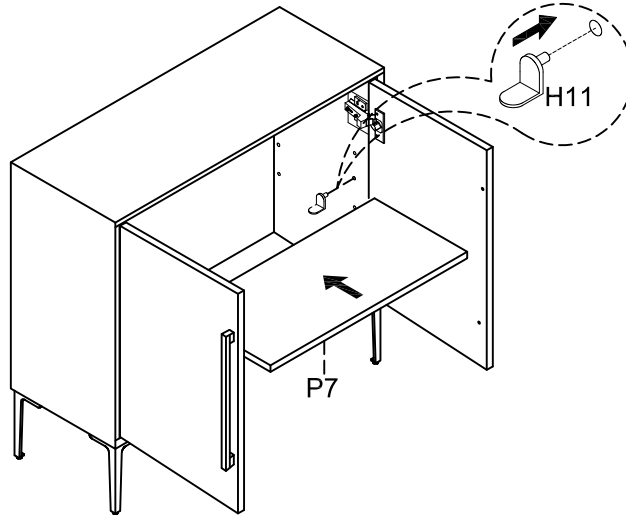


(H10)x4 Plastic Washer 5/8"



Step 7. Insert the shelf (P7) to the assembled cabinet as shown below.

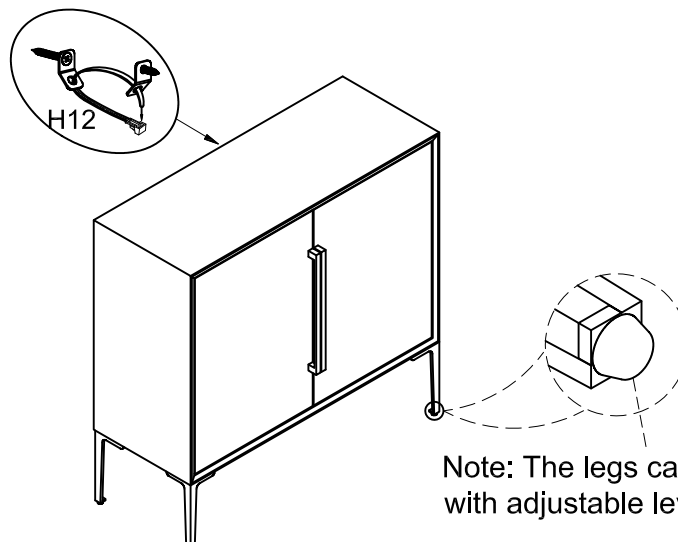
(H11)x4 Shelf Pins 



Step 8.

- 1) **Leveler adjustment:** Levelers are pre-installed on the legs and adjust as needed to make sure the cabinet is leveled.
- 2) Assembly is complete. **Failure to follow these instructions may cause the bolts to misalign during assembly.**
- 3) **Recommend that you attach the products to a wall as a safety precaution.** Please see the other instructions "**Furniture Safety Bracket Tip Resistant**".

(H12)x1 Anti Tip Kit  1 SET



Warning:

Serious or fatal injuries can occur from furniture tip-over. To help prevent furniture tip-over:

Use provided mounting hardware to secure furniture to the wall. This may reduce but not eliminate the risk of furniture tip-over.

Do not allow children to climb on furniture.

Keep remote controls, toys, and other items that might attract children off of this product.

Unless specifically designed to accommodate, do not set televisions or other heavy objects on top of this product.

ADDITIONAL NOTE ABOUT SAFETY: BOLTS MAY LOOSEN DURING NORMAL EVERYDAY USE. THEY SHOULD BE PERIODICALLY INSPECTED AND RE-TIGHTENED TO PREVENT DAMAGE OR INJURY. ALWAYS CHECK TO ENSURE THAT ALL HARDWARE IS KEPT TIGHTENED.

Thank you for your purchase

Furniture Safety Bracket Tip Resistant

- Designed to help prevent furniture tipover.
- Detachable strap allows for easy moving of furniture for cleaning.
- Also helps prevent furniture from tipping during minor tremors.

Installation:

Short Screw (1pc)



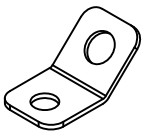
Long Screw (1pc)



Strap (1pc)



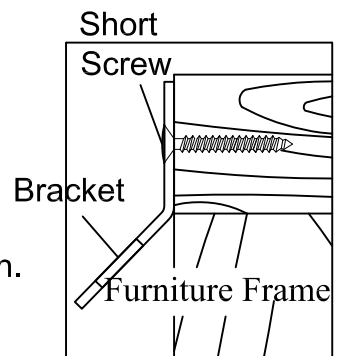
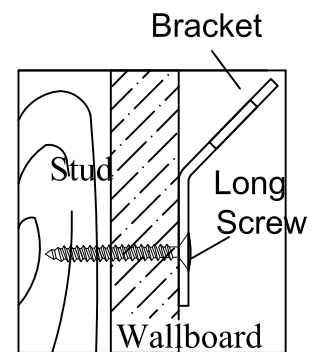
Bracket (2pcs)



1. Locate a wall stud behind your furniture. Position a bracket on the stud approximately 1" below the top frame of the furniture. Mark and drill pilot hole into the center of the stud with a 3/32" drill bit. Attach a bracket to the stud with the long screws provided.

2. On the back of the furniture, a bracket will need to be attached to the furniture frame at the top. To do this, temporarily move the furniture into its final position and mark the location of the wall bracket on the furniture frame. Move the furniture away from the wall and place a bracket on the mark. Mark and drill holes for screws with a 3/32" drill bit. Attach the bracket to the furniture with the short screws provided.

3. Move the furniture into its final position, taking care to line up the wall bracket with the furniture bracket. Thread a strap through the bracket as shown in the illustration. Tighten strap until snug. Do not overtighten.



Important:

Check to be sure the wall bracket is firmly screwed into wall stud, the furniture bracket is firmly attached to the frame, and the strap is snug.

Caution:

This product is not to be a substitute for proper parental supervision. Manufacturer assumes no liability for improper installation or excessive loads placed on screws brackets or straps.

Warning:

Children have died from furniture tipover. To reduce the risk of furniture tipover:

- ALWAYS install tipover restraint provided.
- NEVER put a TV on this product.
- NEVER allow children to stand, climb or hang on drawers, doors, or shelves.
- NEVER open more than one drawer at a time.
- Place heaviest items in the lowest drawers.

This is a permanent label.

Do not remove!

