

MADISON PARK® PARKER DESK

Assembly instructions:

PARTS LIST

| No. | DESCRIPTION | IMAGE | QTY |
|-----|-------------|-------|-----|
| P1 | TOP | | 1 |
| P2 | LEFT LEG | | 1 |
| P3 | RIGHT LEG | | 1 |
| P4 | BASE | | 1 |

HARDWARE LIST

| No. | DESCRIPTION | IMAGE | QTY |
|-----|------------------------------|-------|-----|
| H1 | BOLT (ø1/4" x 38mm) | | 12 |
| H2 | SPRING WASHER (ø1/4" x 11mm) | | 12 |
| H3 | FLAT WASHER (ø1/4" x 16mm) | | 12 |
| H4 | ALLEN KEY (M4 x 60mm) | | 1 |

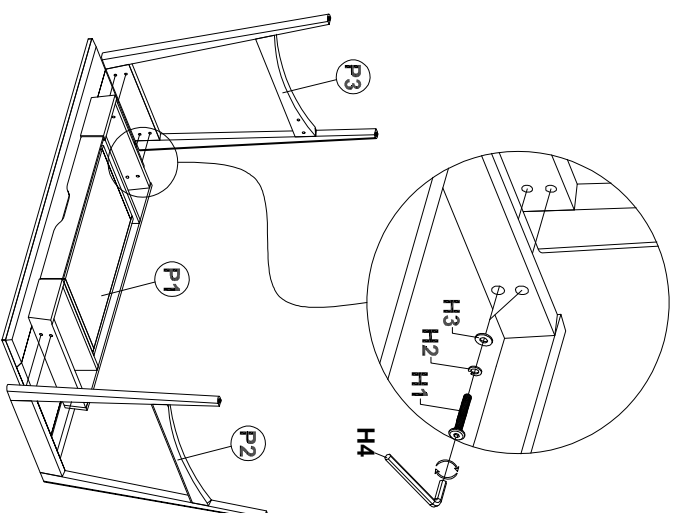
NOTE: PO # is located underneath/ at the back side of each item. Please be prepared to provide this # should any claim be necessary.

CAUTION: Item is heavy. Assembly should be performed by two people.

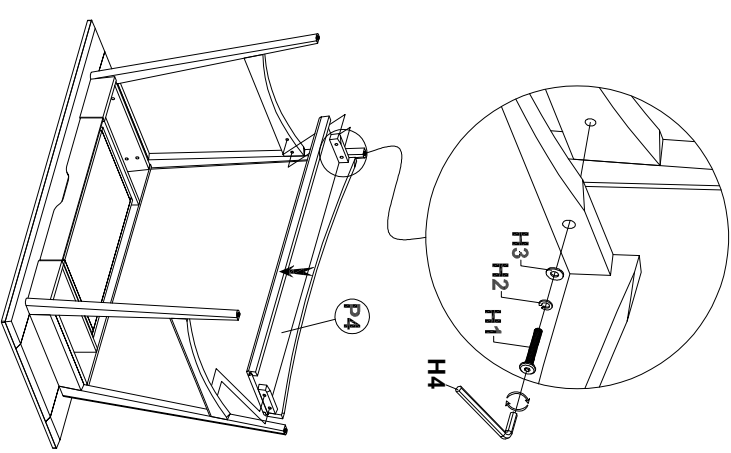
DISCLAIMER:

When properly assembled, this item is safe for intended use. Seller is not liable for any damages resulting from item being improperly assembled after purchase.

1

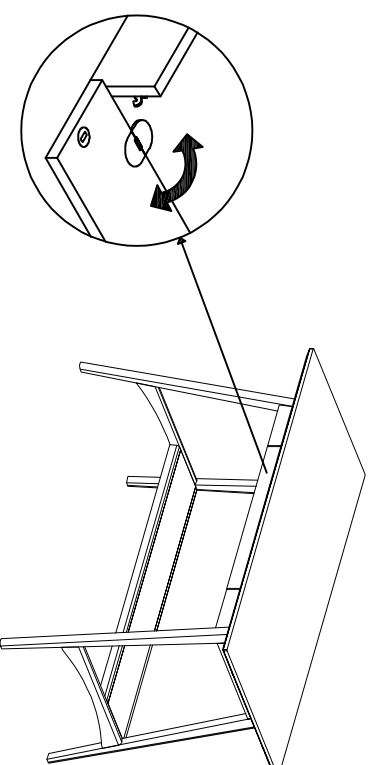


2



PLS, DON'T TIGHTEN BOLTS UNTIL LAST STEP.

3



PRESS THESE MECHANISMS TO OPEN DRAWER DROP FACE PANEL.

ASSEMBLY COMPLETED