





Important safety instructions:

- Please **read** carefully all instructions before assembling.
- For your safety and ease, assembly by two or more adults is recommended.
- Keep instructions for future use.







Pre-assembly:

- **Do not discard any content until assembly completed to avoid accidentally discarding small parts or hardware.**
- **Remove all parts and hardware from box along with any protective packaging**

Parts List

Item	Description	QTY
P1	 CHAIR SEAT	1PC
P2	 LEG FRAME	1PC
P3	 LEG FRAME	1PC
P4	 RING	1PC

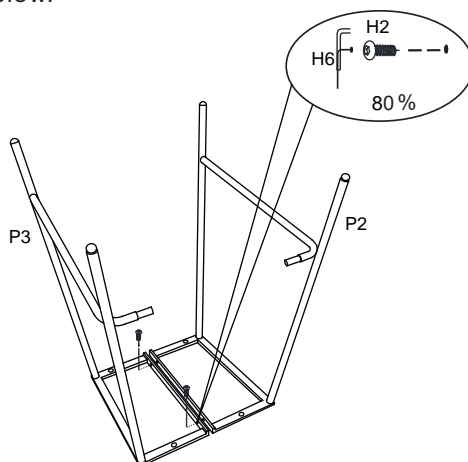
Hardware List

Item	Description	QTY
H1	M6*10MM 	2PCS
H2	M6*16MM 	2PCS
H3	M6*30MM 	4PCS
H4	(Ø6+Ø10)*2MM 	4PCS
H5	(Ø6+Ø18)*2MM 	4PCS
H6	M6 	1PC

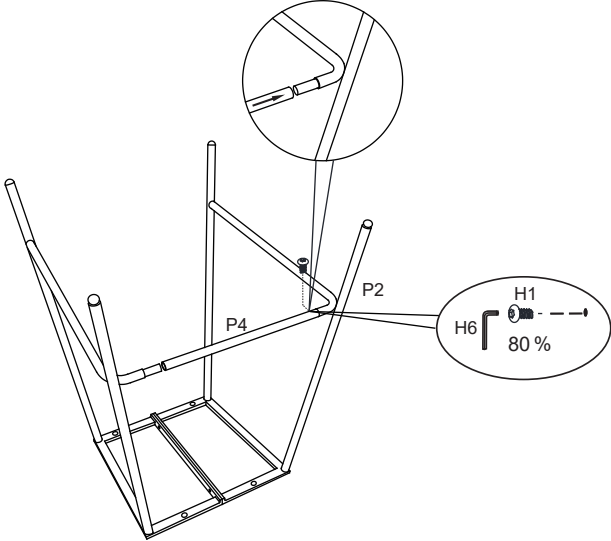
DISCLAIMER:

WHEN PROPERLY ASSEMBLED, THIS ITEM IS SAFE FOR INTENDED USE. SELLER IS NOT LIABLE FOR ANY DAMAGES RESULTING FROM ITEM BEING IMPROPERLY ASSEMBLED AFTER PURCHASE.

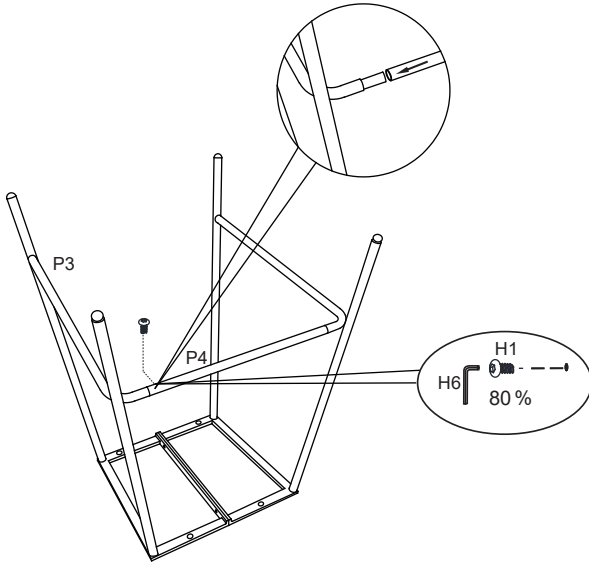
Step 1. Assemble the chair on a flat, soft surface such as carpet or cloth to prevent scratching. Insert leg frame (P2) to leg frame (P3) using bolts (H2) and 80% tighten bolts with allen wrench (H6) as illustration below.



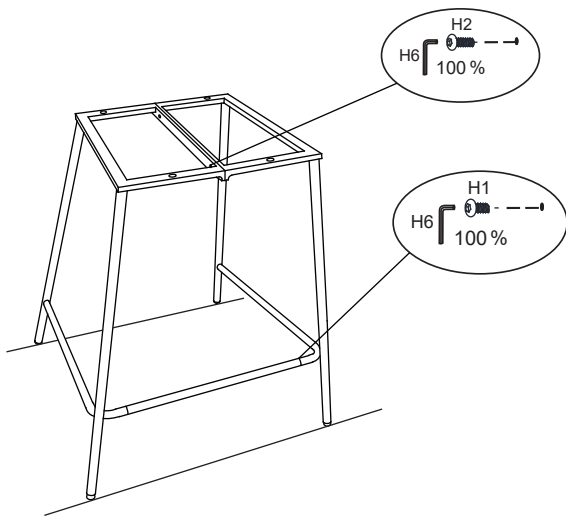
Step 2. Insert ring(P4) to leg frame(P2&P3) using bolts(H1) and 80% tighten bolts with allen wrench(H6) as illustration below.



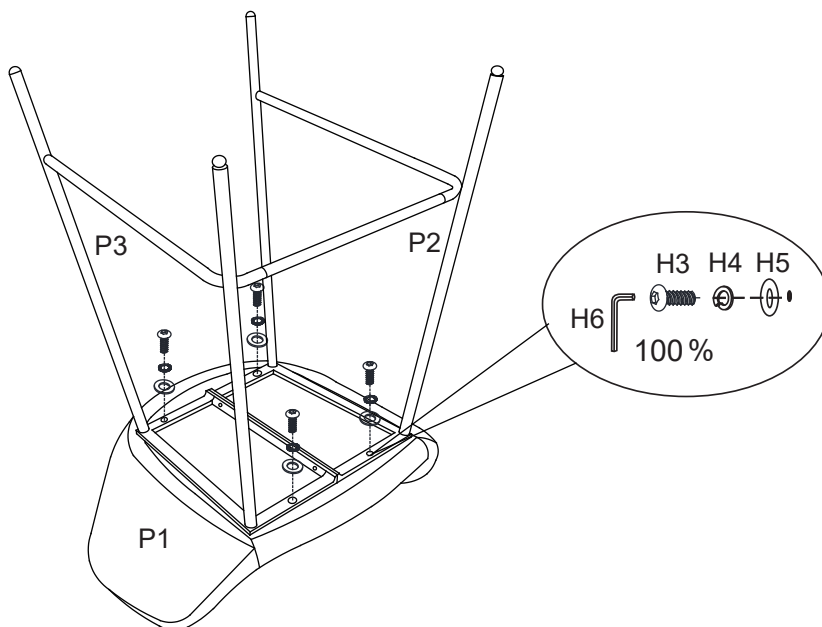
Step 3. Insert ring(P4) to leg frame(P2&P3) using bolts(H1) and 80% tighten bolts with allen wrench(H6) as illustration below.



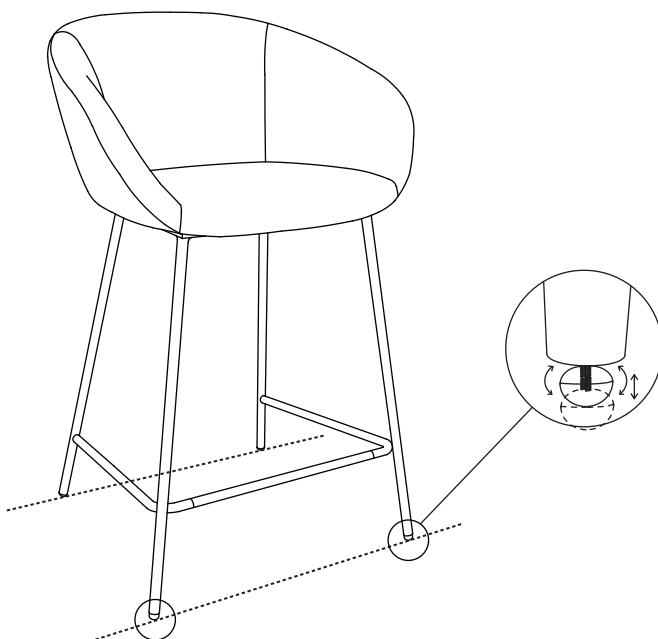
Step 4. Fully tighten bolts(H2 and H1) with allen wrench(H6) as illustration below.



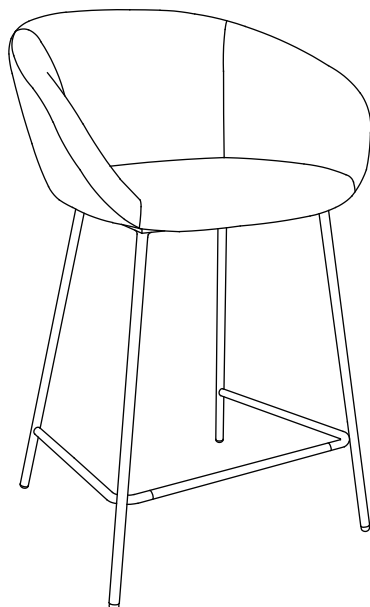
Step 5. Turn chair upright on a level surface. Fully tighten bolts(H3) and washers(H4 and H5) with allen wrench(H6) as illustration below.



Step 6. Adjust levelers (as drawing) as necessary to keep chairs flat.



Step 7. Complete assemble!



ADDITIONAL NOTE ABOUT SAFETY: BOLTS MAY LOOSEN DURING NORMAL EVERYDAY USE. THEY SHOULD BE PERIODICALLY INSPECTED AND RE-TIGHTENED TO PREVENT DAMAGE OR INJURY. ALWAYS CHECK TO ENSURE THAT ALL HARDWARE IS KEPT TIGHTENED.

Thank you for your purchase