


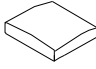

Important safety instructions:

- Please read carefully all instructions before assembly.
- For your safety and ease, assembly by two or more adults is recommended.
- Keep instructions for future use.






Pre-assembly:

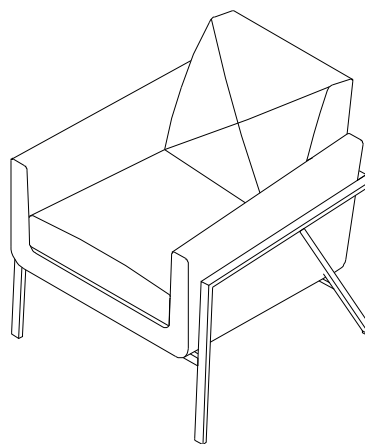
- Do not discard any content until assembly is complete to avoid accidentally discarding small parts or hardware.
- Take out all parts and hardware from box.

Parts List

Item	Description	QTY
P1	Chair Back 	1
P2	Seat Cushion 	1
P3	Chair Base 	1

Hardware List

Item	Description	QTY
H1	Long Bolts Ø5/16"x2-1/2"L 	2
H2	Short Bolts Ø5/16"x1-1/2"L 	2
H3	Lock Washers Ø5/16" 	4
H4	Flat Washers Ø5/16" 	4
H5	Allen Wrench Ø5/16" 	1



DISCLAIMER:

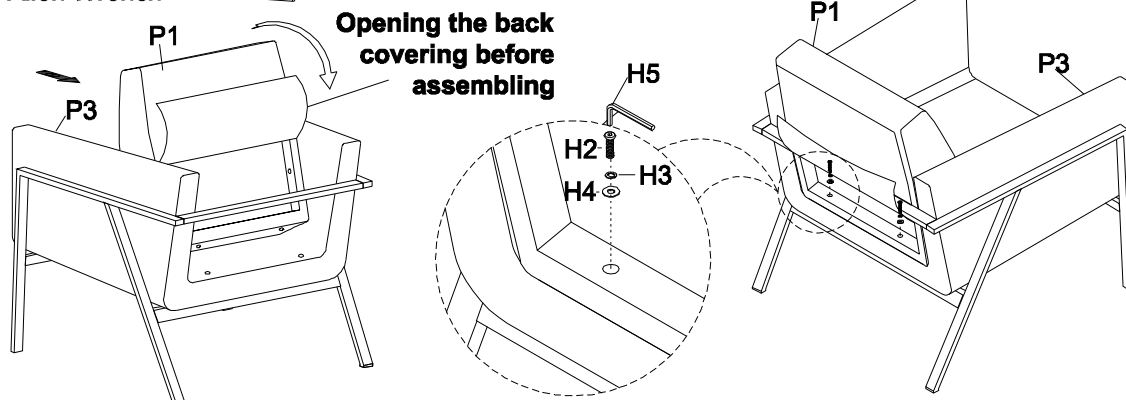
WHEN PROPERLY ASSEMBLED, THIS ITEM IS SAFE FOR INTENDED USE. SELLER IS NOT LIABLE FOR ANY DAMAGES RESULTING FROM ITEM BEING IMPROPERLY ASSEMBLED AFTER PURCHASE.

Assembly Procedures:


Step 1. Assembly the chair on a flat, soft surface such as a carpet or cloth to prevent scratching the finish.

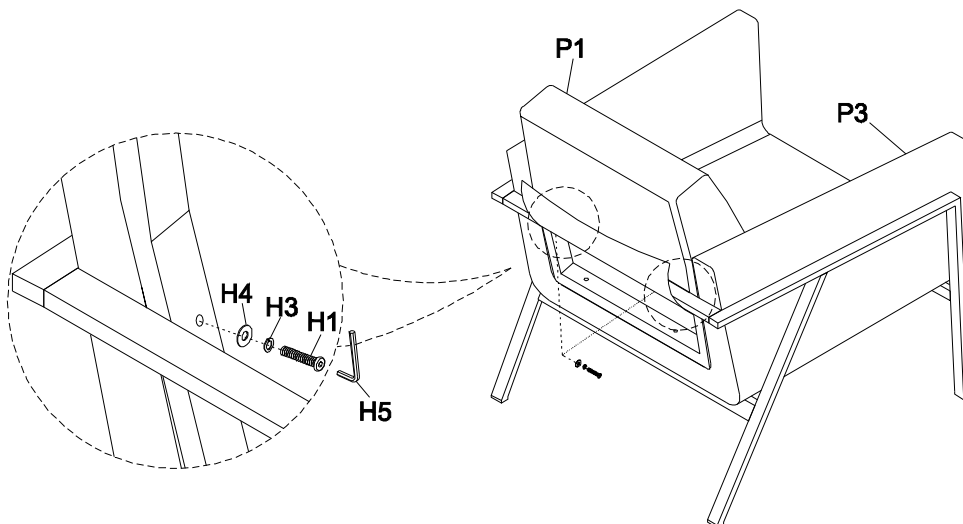
- 1) The chair back (P1) should be placed on the top of chair's seat and then pushed to the proper location **(Between the two arms as shown below)**.
- 2) Make sure the chair back (P1) to the seat cushion (P2) aligning the holes and using bolts (H2), lock washers (H3), flat washers (H4). Loosely tighten the bolts with Allen wrench (H5).

- (H2)x2 Short Bolts 
- (H3)x2 Lock Washers 
- (H4)x2 Flat Washers 
- (H5)x1 Allen Wrench 



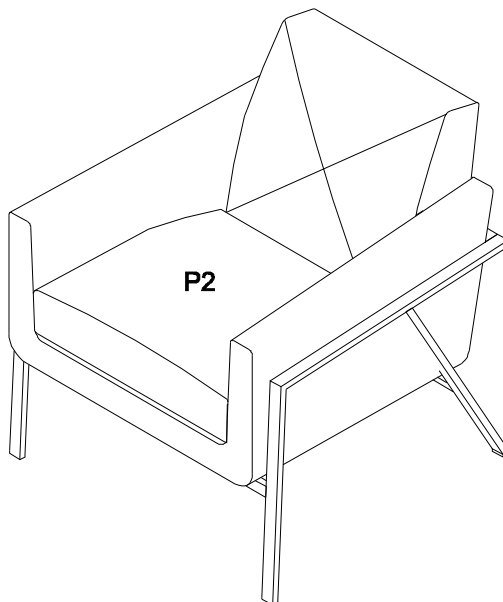
Step 2. Loosely attach chair back (P1) to chair base (P2) using long bolts (H1), lock washers (H3) and flat washers (H4) as shown below.

- | | | |
|--------|--------------|---|
| (H1)x2 | Long Bolts |  |
| (H3)x2 | Lock Washers |  |
| (H4)x2 | Flat Washers |  |
| (H5)x1 | Allen Wrench |  |



Step 3.

- 1) Turn the assembled chair to an upright position. Make sure the chair is level and securely tighten all bolts with Allen wrench (H5).
- 2) Put the seat cushion (P2) on the chair base (P3).
- 3) Assembly is complete. **Failure to follow these instructions may cause the bolts to misalign during assembly.**



ADDITIONAL NOTE ABOUT SAFETY: BOLTS MAY LOOSEN DURING NORMAL EVERYDAY USE. THEY SHOULD BE PERIODICALLY INSPECTED AND RE-TIGHTENED TO PREVENT DAMAGE OR INJURY. ALWAYS CHECK TO ENSURE THAT ALL HARDWARE IS KEPT TIGHTENED.

Thank you for your purchase