

PART LIST

No.	DESCRIPTION	IMAGE	QTY
P1	TOP FRAME		1
P2	MIDDLE FRAME		1
P3	BOTTOM FRAME		1
P4	LEGS		6
P5	DRAWER		2

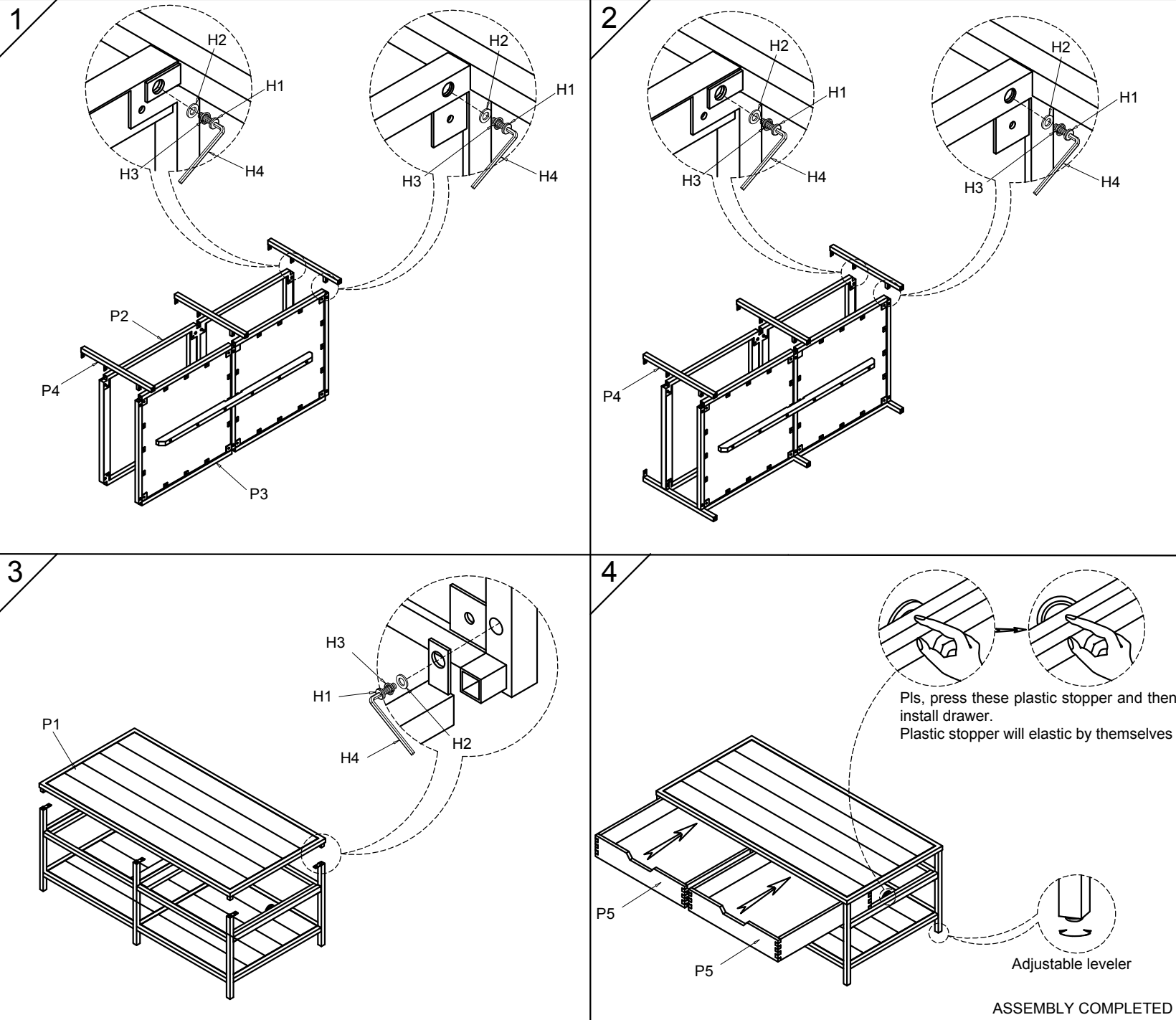
HARDWARE LIST

No.	DESCRIPTION	IMAGE	QTY
H1	BOLT Ø1/4*20		18
H2	FLAT WASHER Ø16*1.5		18
H3	SPRING WASHER Ø12*1.5		18
H4	ALLEN KEY		1

NOTE: PO# is located underneath/ at the back side of each item. Please be prepared to provide this # should any claim be necessary.

CAUTION: Item is heavy. Assembly should be performed by two people.

DISCLAIMER: When properly assembled, this item is safe for intended use, Seller is not liable for any damages resulting from item being improperly assembled after purchase.



ASSEMBLY COMPLETED