

LANCASTER ROUND TABLE

Assembly instructions:

PARTS LIST

No.	DESCRIPTION	IMAGE	QTY
P1	HALF TOP FRAME		2
P2	MOUNTING BOARD		1
P3	LEG FRAME		1
P4	HALF LEG FRAME		2
P5	GATHERING CONNECTOR		4

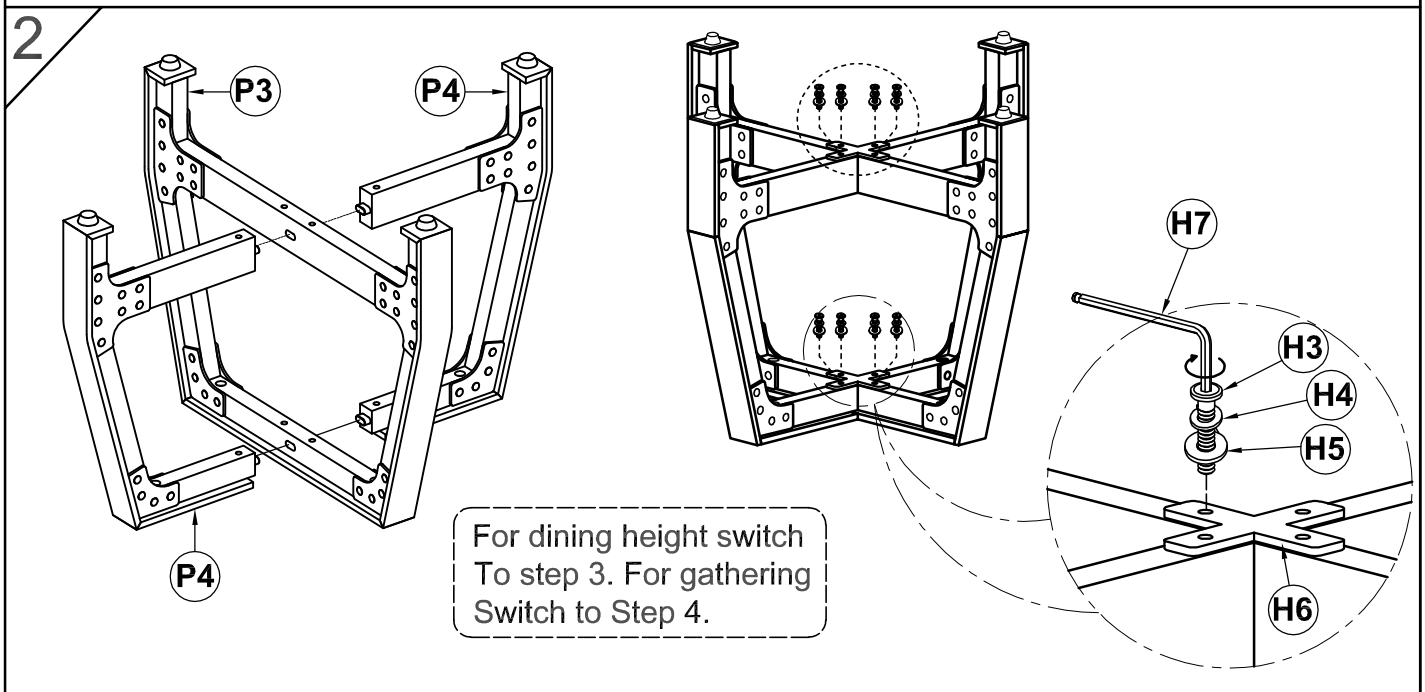
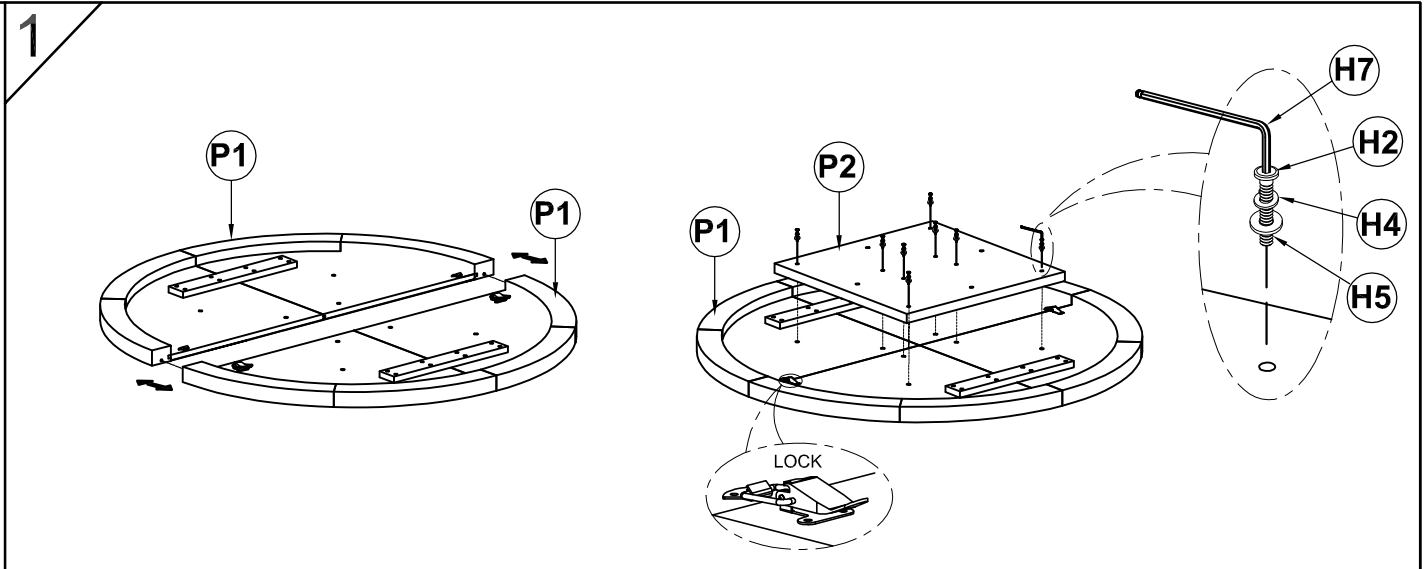
HARDWARE LIST

No.	DESCRIPTION	IMAGE	QTY
H1	BOLT (Ø8x70 MM)		4
H2	BOLT (Ø8x45 MM)		8
H3	BOLT (Ø8x20 MM)		8
H4	SPRING WASHER (M8X14X1.5MM)		20
H5	FLAT WASHER (M8X18X1.5MM)		20
H6	METAL BRACKET		2
H7	ALLEN KEY		1

NOTE: PO # is located underneath/ at the back side of each item. Please be prepared to provide this # should any claim be necessary.

CAUTION: Item is heavy. Assembly should be performed by two people.

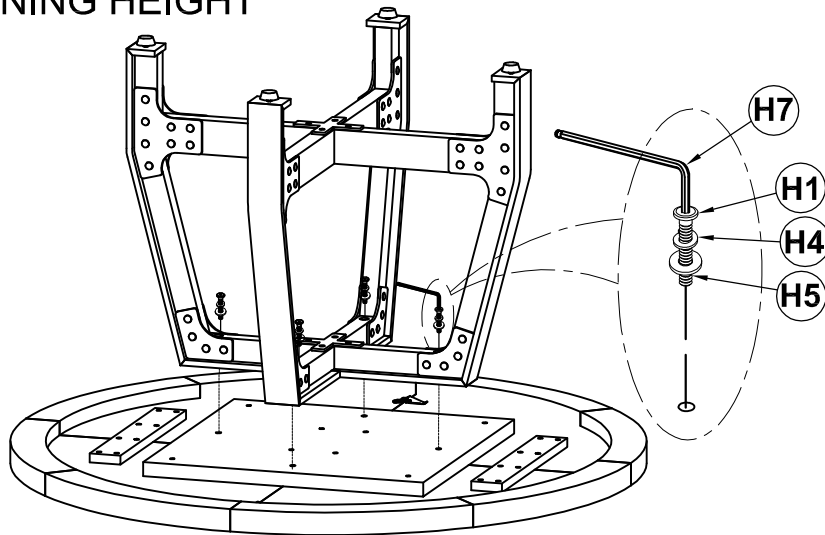
DISCLAIMER: When properly assembled, this item is safe for intended use. Seller is not liable for any damages resulting from item being improperly assembled after purchase.



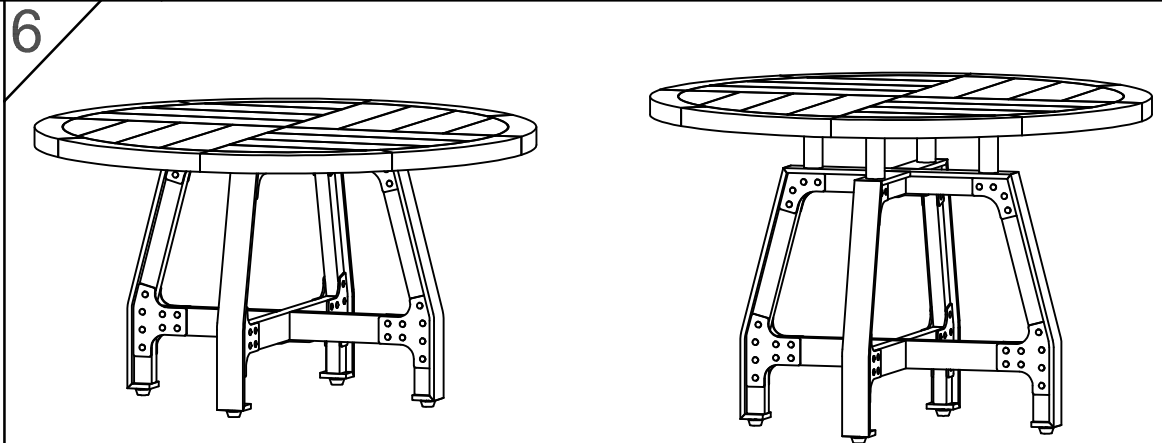
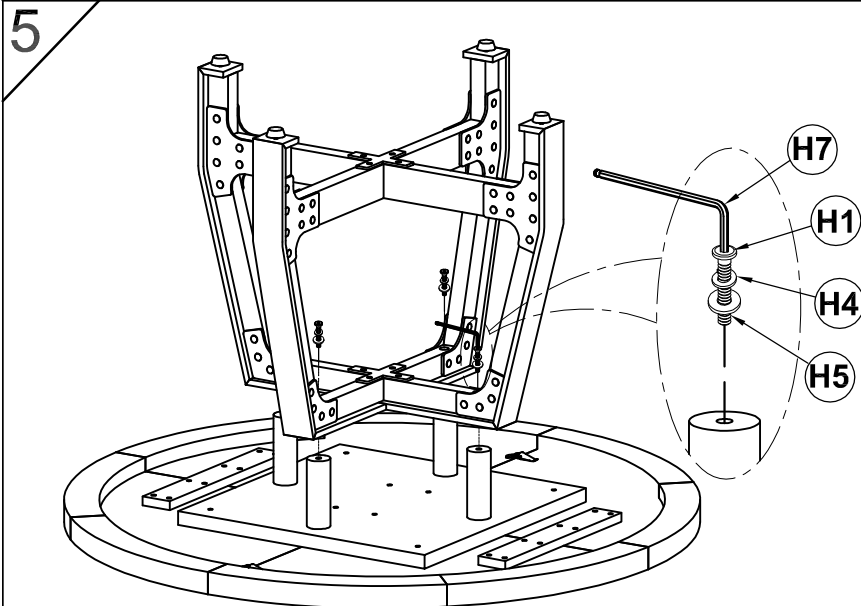
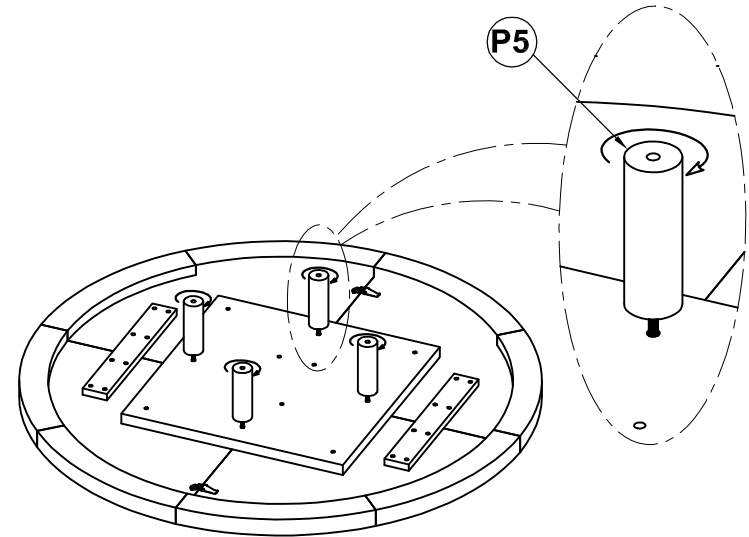
LANCASTER ROUND TABLE

Assembly instructions:

3 DINNING HEIGHT



4 GATHERING HEIGHT



DINNING HEIGHT

GATHERING HEIGHT

ASSEMBLY COMPLETED