






Important safety instructions:

- Please **read** carefully all instructions before assembling.
- For your safety and ease, assembly by two or more adults is recommended.
- Keep instructions for future use.


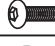


Pre-assembly:

- **Do not discard any content until assembly completed to avoid accidentally discarding small parts or hardware.**
- **Remove all parts and hardware from box along with any protective packaging**

Parts List

| Item | Description | QTY |
|------|--|-----|
| P1 |  CHAIR SEAT | 1PC |
| P2 |  LEG FRAME | 1PC |
| P3 |  LEG FRAME | 1PC |
| P4 |  RING | 1PC |
| P5 |  SWIVEL | 1PC |

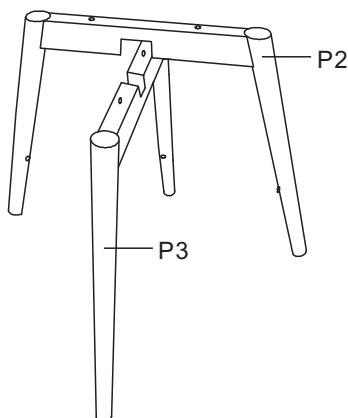
Hardware List

| Item | Description | QTY |
|------|---|------|
| H1 | BOLTS DIA:1/4"x1"  | 8PCS |
| H2 | BOLTS DIA:1/4"x1-3/8"  | 4PCS |
| H3 | FLAT WASHER  | 8PCS |
| H4 | ALLEN WRENCH 1/4"  | 1PC |

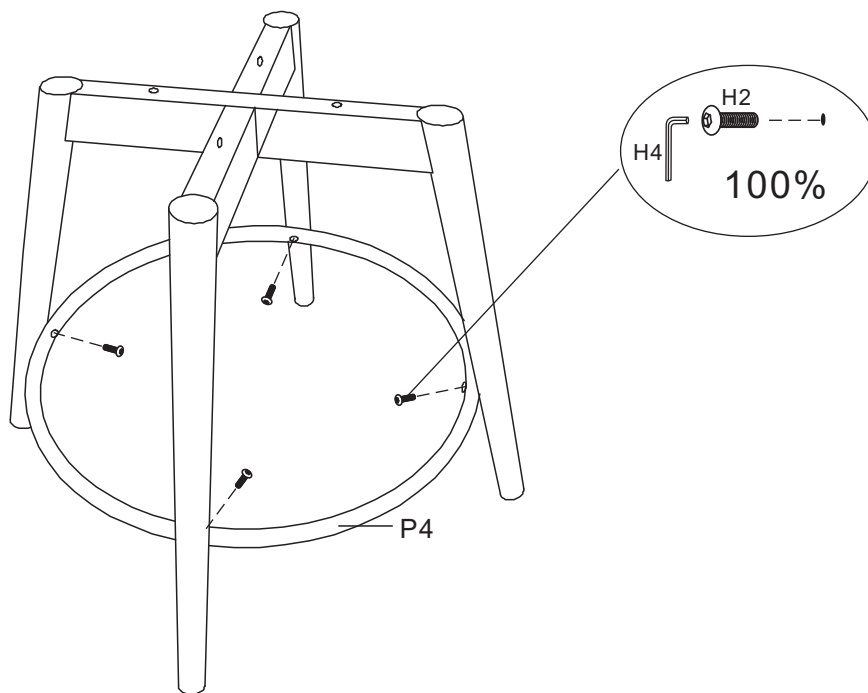
DISCLAIMER:

WHEN PROPERLY ASSEMBLED, THIS ITEM IS SAFE FOR INTENDED USE. SELLER IS NOT LIABLE FOR ANY DAMAGES RESULTING FROM ITEM BEING IMPROPERLY ASSEMBLED AFTER PRUCHASE.

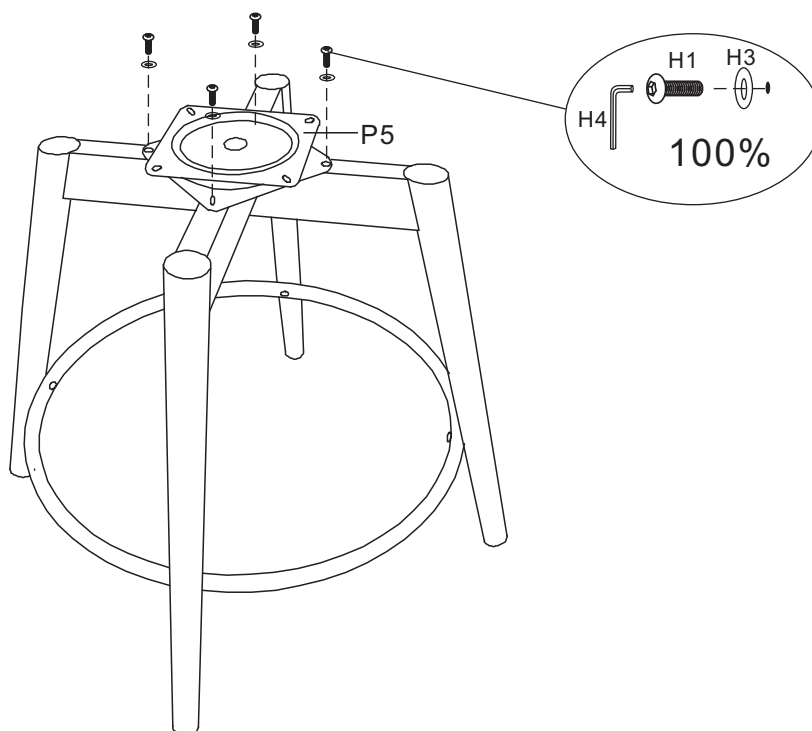
Step 1. Assemble the chair on a flat, soft surface such as carpet or cloth to prevent scratching. Insert leg frame(P2) to leg frame (P3) as illustration below.



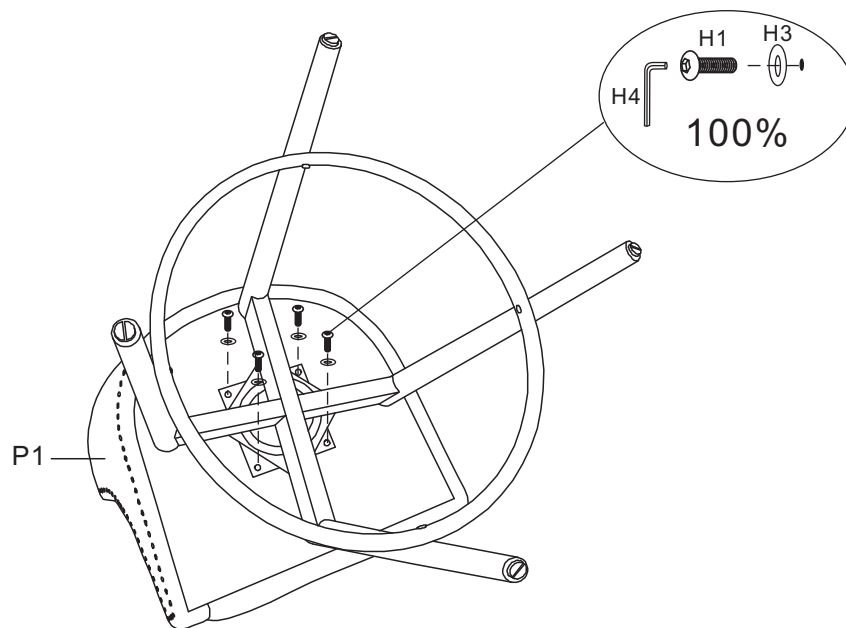
Step 2. Insert ring(P4) to leg frame(P2&P3) using bolts(H2) and fully tighten bolts with allen wrench(H4). as illustration below.



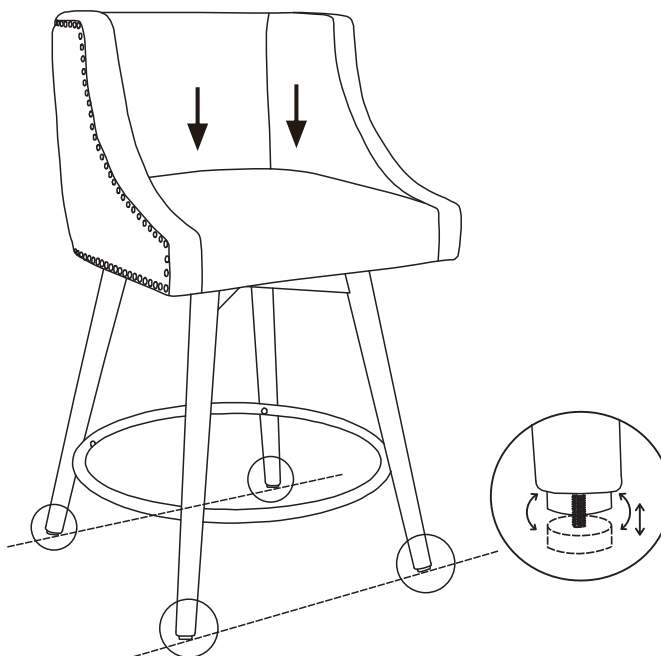
Step 3. Attach the swivel(P5) to top of leg frame (P2&P3) with bolts(H1), flat washers(H3) and tighten all bolts securely with allen wrench(H4) as illustration below.



Step 4. Lay chair on side and then attach the swivel (P5) to the bottom chair seat(P1) with bolts(H1),flat washers(H3) and tighten all bolts securely with allen wrench(H4) as illustration below.



Step 5. Turn chair upright on a level surface. Adjust levelers (as drawing) as necessary.



ADDITIONAL NOTE ABOUT SAFETY: BOLTS MAY LOOSEN DURING NORMAL EVERYDAY USE. THEY SHOULD BE PERIODICALLY INSPECTED AND RE-TIGHTENED TO PREVENT DAMAGE OR INJURY. ALWAYS CHECK TO ENSURE THAT ALL HARDWARE IS KEPT TIGHTENED.

Thank you for your purchase