

# MADISON PARK. ASSEMBLY INSTRUCTIONS

## Description: Cirque Stool




### Important safety instructions :

- Please read carefully all instructions before assembly.
- For your safety and ease, assembly by two or more adults is recommended.
- Keep instructions for future use.






### Pre-assembly:

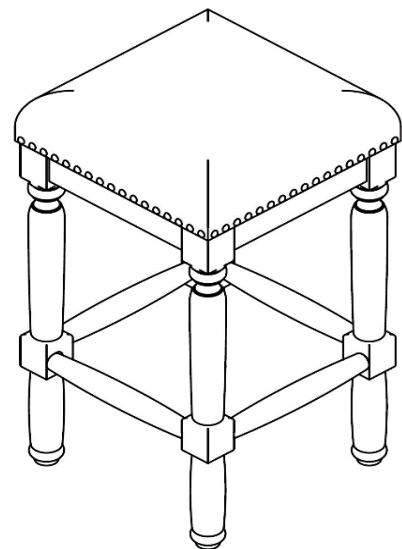
- Do not discard any contents until assembly is complete to avoid accidentally discarding small parts or hardware.
- Remove all parts and hardware from box along with any plastic protective packaging.

### Parts List

Item	Description		QTY
P1	Seat Cushion		1
P2	Legs		4
P3	Stretcher		4

### Hardware List

Item	Description		QTY
H1	Bolts $\varnothing 5/16"$ x 60mm		8
H2	Lock Washers 5/16"		8
H3	Flat Washers 5/16"		8
H4	Allen Wrench 5/16"		1
H5	Wood Screw M4 x 38mm		8

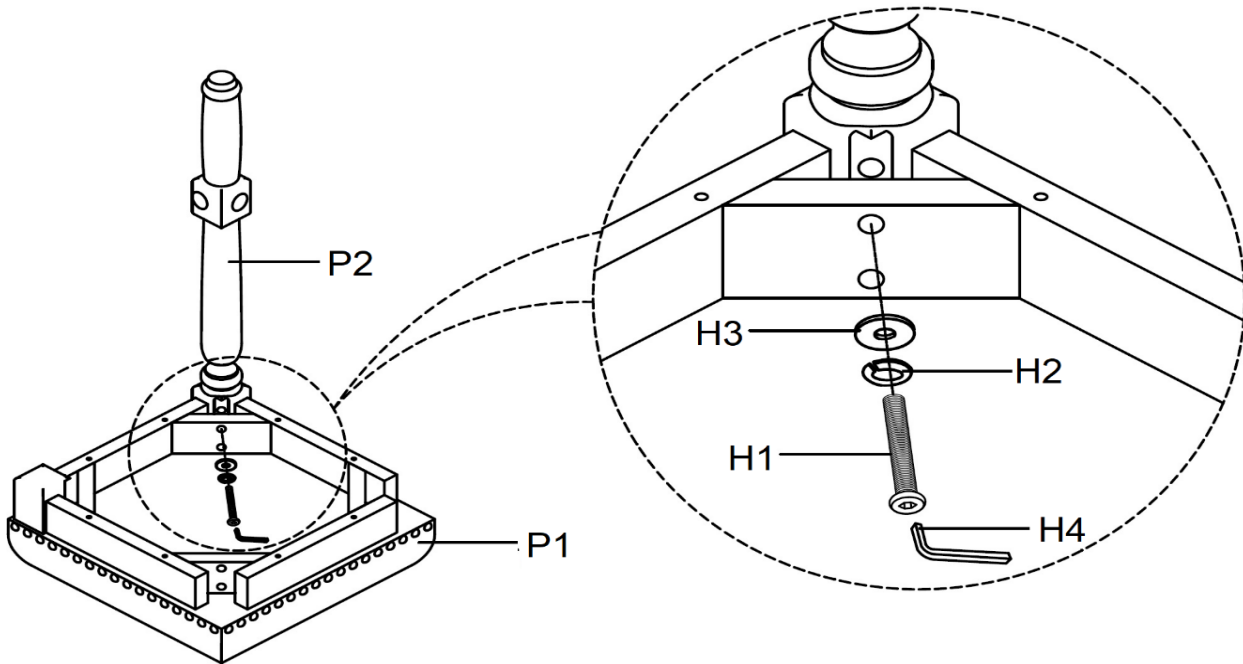


### DISCLAIMER :

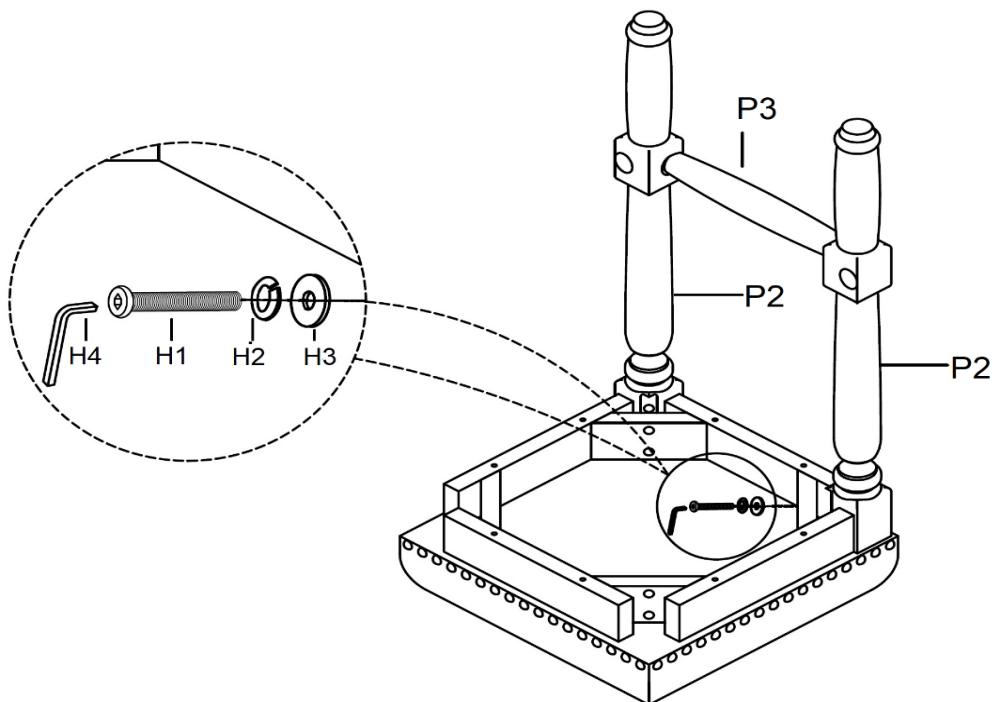
**WHEN PROPERLY ASSEMBLED, THIS ITEM IS SAFE FOR INTENDED USE.  
SELLER IS NOT LIABLE FOR ANY DAMAGES RESULTING FROM ITEM BEING IMPROPERLY ASSEMBLED  
AFTER PURCHASE.**

## Assembly Procedures:

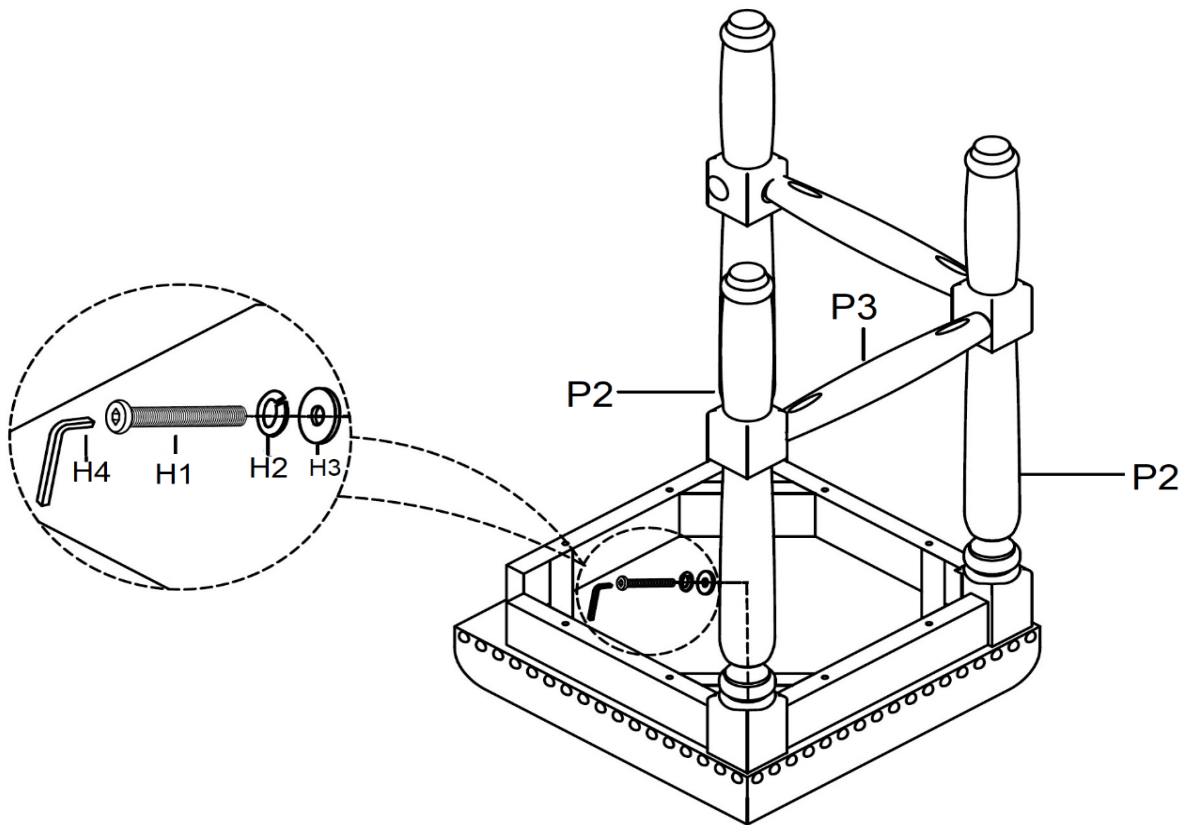
Step 1. Turn over seat cushion (P1) on a flat, soft surface such as a carpet or cloth to prevent scratching the finish. Attach one of legs (P2) to the seat cushion (P1) using bolt (H1), lock washer (H2) and flat washer (H3). Loosely tighten with Allen wrench (H4).



Step 2. Insert stretcher (P3) between two legs (P2), then attach second leg (P2) to seat cushion by using bolt (H1), lock washer (H2) and flat washer (H3), loosely tighten with Allen wrench (H4).

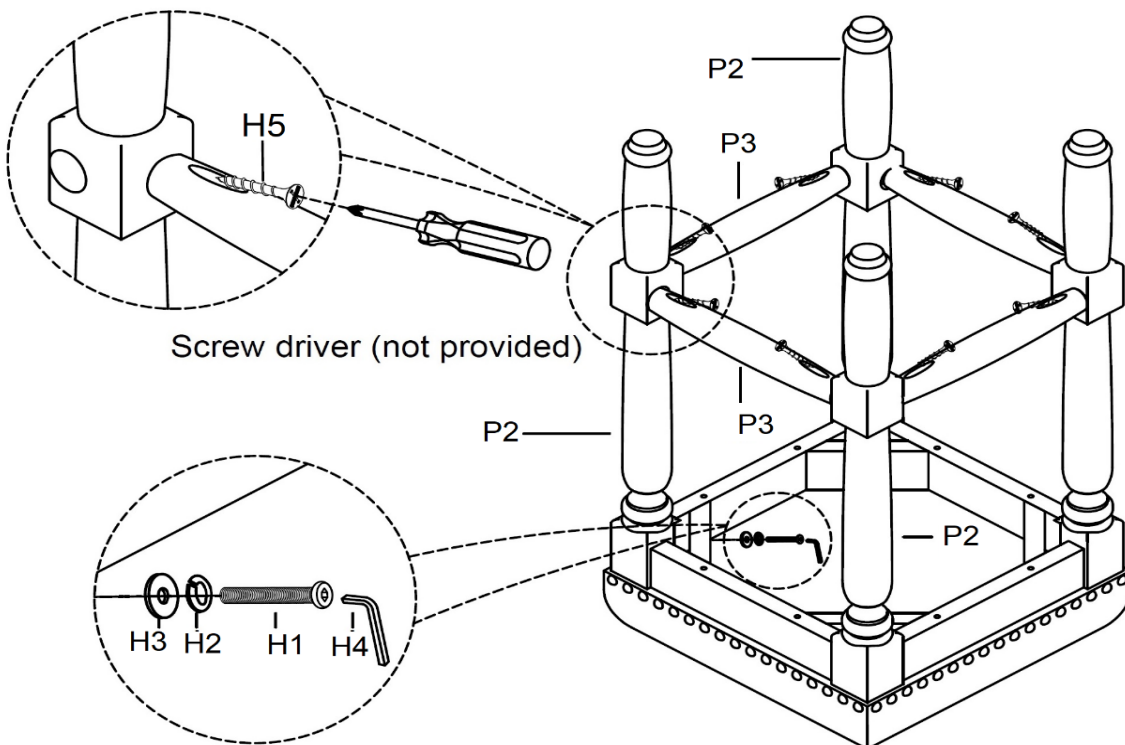


Step 3 . Insert second stretcher (P3) between the two legs (P2), then attach third leg (P2) to seat cushion by using bolt (H1), lock washer (H2) and flat washer (H3), loosely tighten with Allen wrench (H4) .



Step 4 .

- 1) Insert last two stretcher (P3) to the legs (P2), then attach last leg (P2) to seat cushion by using bolt (H1), lock washer (H2) and flat washer (H3), loosely tighten with Allen wrench (H4) .
- 2) Securely tighten all bolts with Allen wrench (H4) .
- 3) Tighten screws (H5) through the stretchers (P3) to the legs (P2) with screw driver (not provided) .



**ADDITIONAL NOTE ABOUT SAFETY: BOLTS MAY LOOSEN DURING NORMAL EVERDAY USE. THEY**

**SHOULD BE PERIODICALLY INSPECTED AND RE-TIGHTENED TO PREVENT DAMAGE OR INJURY.  
ALWAYS CHECK TO BE SURE THAT ALL HARDWARE IS KEPT TIGHTENED.**

**Thank you for your purchase**

Page 3 of 3