

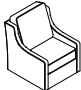

**Important safety instructions:**

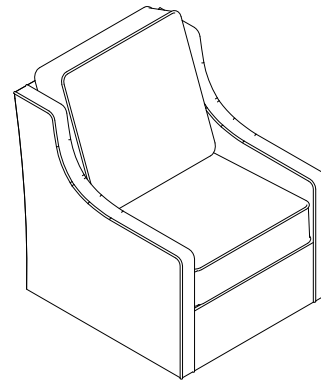
- Please read carefully all instructions before assembly.
- For your safety and ease, assembly by two or more adults is recommended.
- Keep instructions for future use.

**Pre-assembly:**





- Do not discard any content until assembly is complete to avoid accidentally discarding small parts or hardware.
- Take out all parts and hardware from box.

Parts List

Item	Description	QTY
P1	Chair 	1
P2	Metal Swivel 	1



Hardware List





Item	Description	QTY
H1	Bolts Ø1/4"×1"L 	4
H2	Lock Washers Ø1/4" 	4
H3	Flat Washers Ø1/4"×19mm 	4
H4	Allen Wrench 1/4" 	1

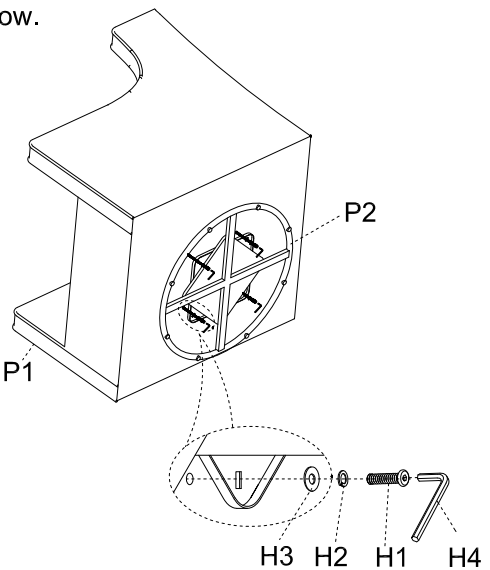
**DISCLAIMER:**

**WHEN PROPERLY ASSEMBLED, THIS ITEM IS SAFE FOR INTENDED USE. SELLER IS NOT LIABLE FOR ANY DAMAGES RESULTING FROM ITEM BEING IMPROPERLY ASSEMBLED AFTER PURCHASE.**

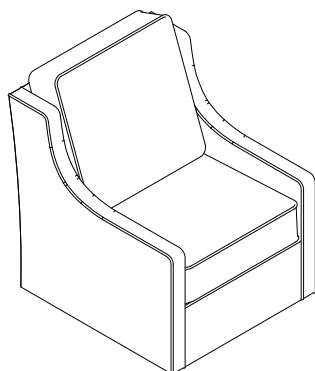
**Assembly Procedures:**

Step 1. Assemble the chair on a flat, soft surface such as a carpet or cloth to prevent scratching the finish. Attach the metal swivel (P2) to the bottom of chair (P1) as shown below.

- (H1)x4 Bolts Ø1/4"×1"L 
- (H2)x4 Lock Washers Ø1/4" 
- (H3)x4 Flat Washers Ø1/4" 
- (H4)x1 Allen Wrench Ø1/4" 



Step 2: Turn the assembled chair to an upright position. Assembly is complete.



**ADDITIONAL NOTE ABOUT SAFETY: BOLTS MAY LOOSEN DURING NORMAL EVERYDAY USE. THEY SHOULD BE PERIODICALLY INSPECTED AND RE-TIGHTENED TO PREVENT DAMAGE OR INJURY. ALWAYS CHECK TO ENSURE THAT ALL HARDWARE IS KEPT TIGHTENED.**

Thank you for your purchase