

ASSEMBLY INSTRUCTIONS

Description: Rocket Coffee Table






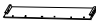

Important safety instructions:

- Please read carefully all instructions before assembly.
- For your safety and ease, assembly by two or more adults is recommended.
- Keep instructions for future use.










Pre-assembly:

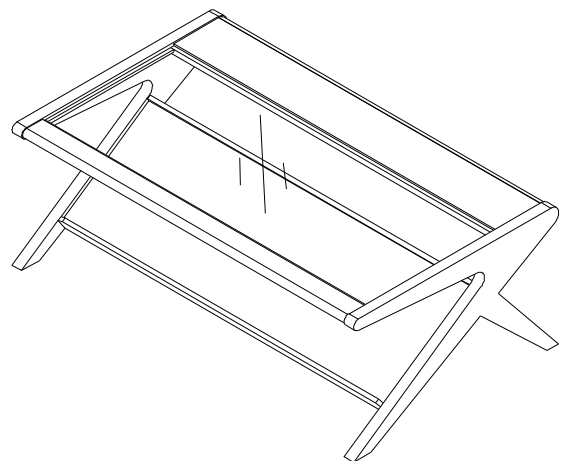
- Do not discard any content until assembly is complete to avoid accidentally discarding small parts or hardware.
- Take out all parts and hardware from box.

Parts List

Item	Description	QTY
P1	Table Top Frame 1 	1
P2	Table Top Frame 2 	1
P3	Left Leg 	1
P4	Right Leg 	1
P5	Shelf 	1
P6	Shelf Side Panel 	1
P7	Glass 	1

Hardware List

Item	Description	QTY
H1	Short Bolts $\text{Ø}1/4 \times 1-1/4$ 	18
H2	Long Bolts $\text{Ø}1/4 \times 3-1/2$ 	2
H3	Lock Washers $1/4$ " 	20
H4	Flat Washers $1/4$ " 	18
H5	Allen Wrench $1/4$ " 	1
H6	Half Round Washers $1/4$ " 	2
H7	Nuts $1/4$ " 	2
H8	Open Spanner $1/4$ " 	1
H9	Clear plastic Pads 	4



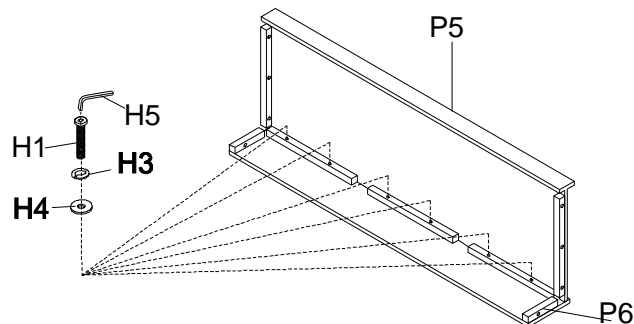
DISCLAIMER:

WHEN PROPERLY ASSEMBLED, THIS ITEM IS SAFE FOR INTENDED USE. SELLER IS NOT LIABLE FOR ANY DAMAGES RESULTING FROM ITEM BEING IMPROPERLY ASSEMBLED AFTER PURCHASE.






Assembly Procedures:

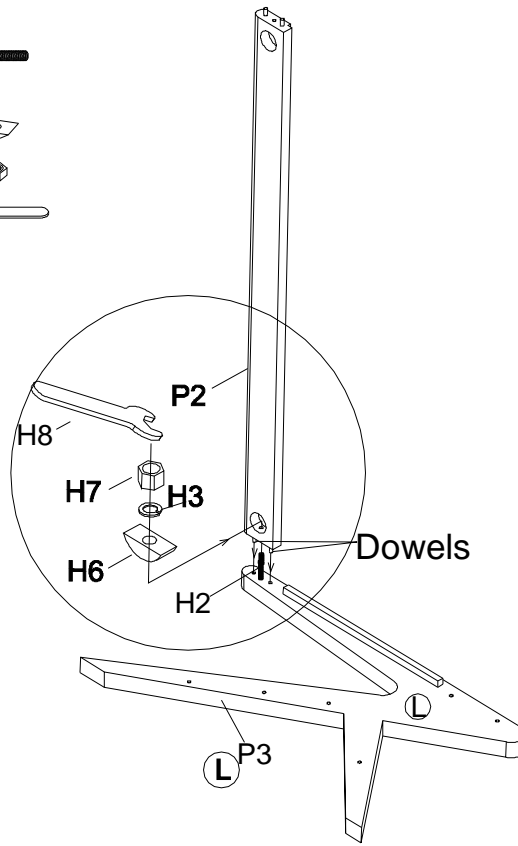
Step 1. Assemble the table on a flat, soft surface such as a carpet or cloth to prevent scratching the finish. Attach shelf side panel (P6) to the shelf (P5). Securely tighten all bolts by Allen wrench (H5), but do not over tighten the bolts.

- (H1)x6 Short Bolts $\text{Ø}1/4 \times 1-1/4$ 
- (H3)x6 Lock Washers $1/4$ " 
- (H4)x6 Flat Washers $1/4$ " 
- (H5)x1 Allen Wrench $1/4$ " 



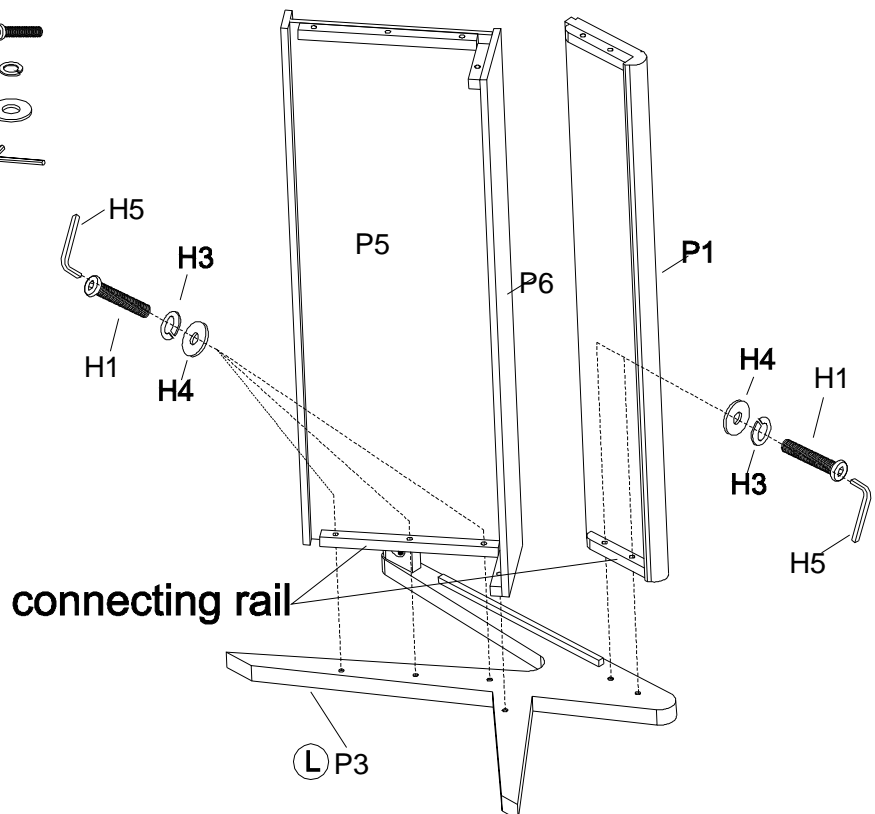
Step 2. Screw the bolt (H2) into the left leg (P3). Attach top frame 2 (P2) to the left leg (P3) with label "L" on leg.
Note: the assembled hole on top frame (P2) should be face to leg bottom. See below diagram.

- (H2)x1 Long Bolts $\text{\O}1/4 \times 3-1/2$ " 
- (H3)x1 Flat Washers $1/4$ " 
- (H6)x1 Half Round Washers $1/4$ " 
- (H7)x1 Nuts $1/4$ " 
- (H8)x1 Open Spanner $1/4$ " 








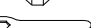


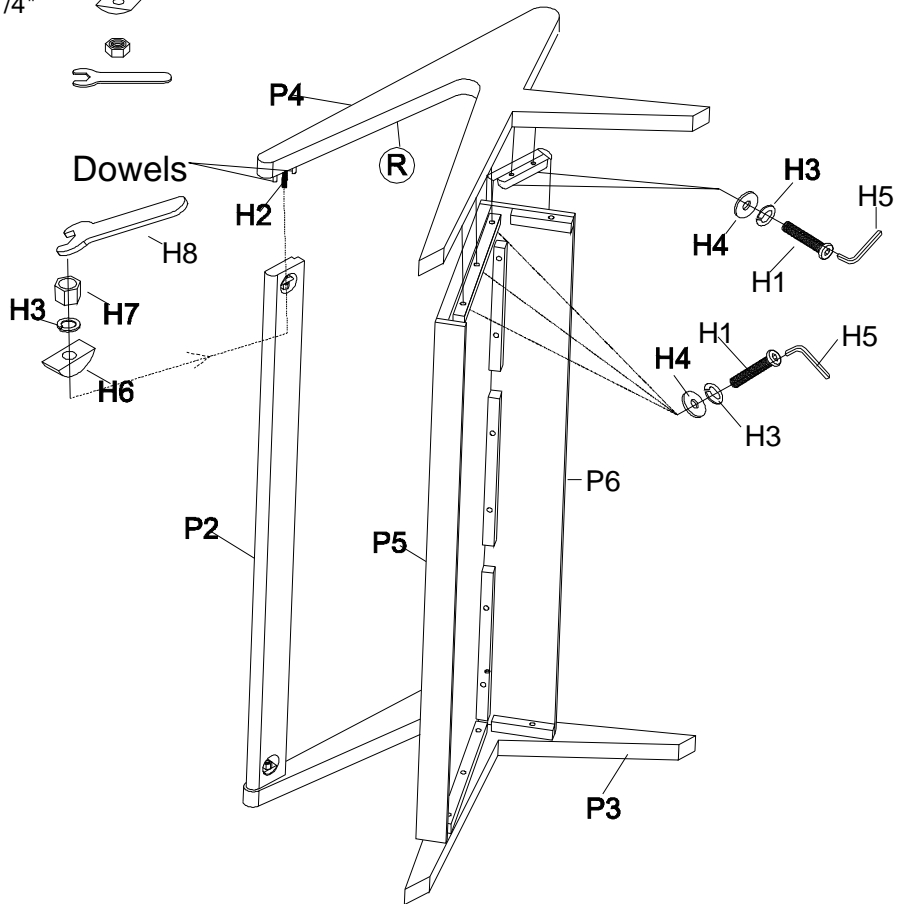
Step 3. Attach table frame 1 (P1) and the assembled shelf (P5 & P6) to the left leg (P3) with label "L" on leg .
Note: the connecting rail on top frame (P1) and the assembled shelf (P5 & P6) should be face to leg bottom. See below diagram.

- (H1)x6 Short Bolts $\text{\O}1/4 \times 1-1/4$ " 
- (H3)x6 Lock Washers $1/4$ " 
- (H4)x6 Flat Washers $1/4$ " 
- (H5)x1 Allen Wrench $1/4$ " 



Step 4. Repeat Step 2 and Step 3 to attach the top frame 1 (P1) , the top frame 2 (P2) and the assembled shelf (P5 & P6) to the right leg (P4), see below diagram.

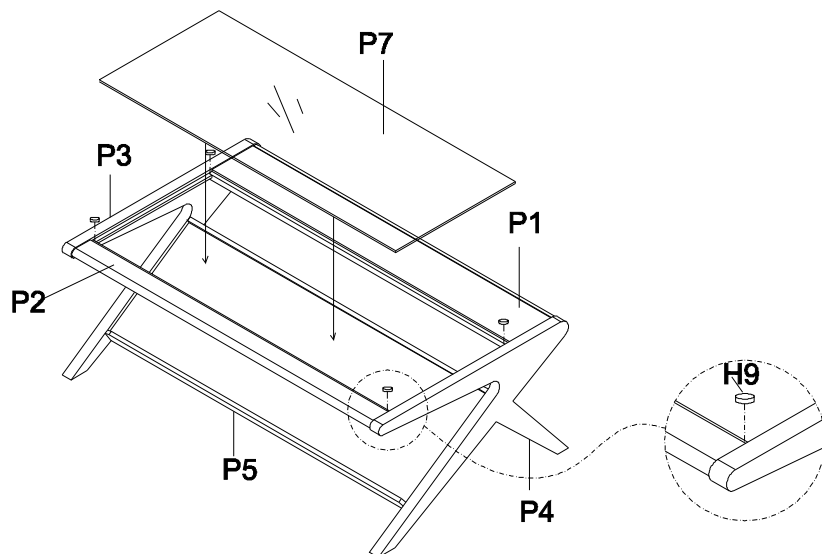
- (H1)x6 Short Bolts $\varnothing 1/4 \times 1-1/4$ 
- (H2)x1 Long Bolts $\varnothing 1/4 \times 3-1/2$ 
- (H3)x7 Flat Washers $1/4$ " 
- (H4)x6 Flat Washers $1/4$ " 
- (H5)x1 Allen Wrench $1/4$ " 
- (H6)x1 Half Round Washer $1/4$ " 
- (H7)x1 Nuts $1/4$ " 
- (H8)x1 Open Spanner $1/4$ " 



Step 5.

- 1) Securely tighten all bolts, but do not over tighten the bolts. Turn the assembled table to an upright position.
- 2) Place the clear plastic pads (H9) on the table top as shown below.
- 3) Carefully take the glass out from its carton, then gently lay the glass top on the table top frame. Assembly is completed.

- (H9)x4 Clear plastic Pads 



ADDITIONAL NOTE ABOUT SAFETY: BOLTS MAY LOOSEN DURING NORMAL EVERYDAY USE. THEY SHOULD BE PERIODICALLY INSPECTED AND RE-TIGHTENED TO PREVENT DAMAGE OR INJURY. ALWAYS CHECK TO ENSURE THAT ALL HARDWARE IS KEPT TIGHTENED.

Thank you for you purchase