

ASSEMBLY INSTRUCTIONS

Description: Lemmy Dining chair


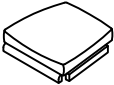





Important safety instructions:

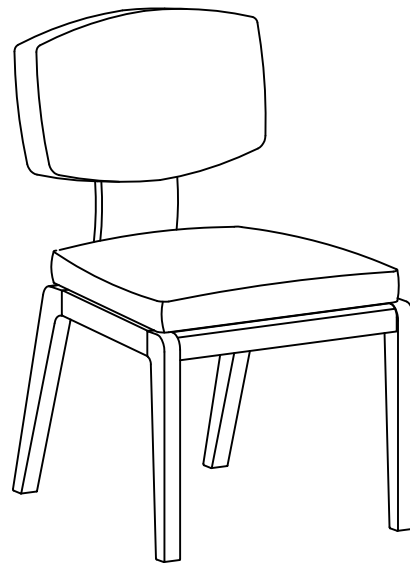
- Please read carefully all instructions before assembly.
- For your safety and ease, assembly by two or more adults is recommended.
- Keep instructions for future use.

Pre-assembly:



- Do not discard any content until assembly is complete to avoid accidentally discarding small parts or hardware.
- Take out all parts and hardware from box.

Parts List

Item	Description		QTY
P1	Back Cushion		1
P2	Seat Frame with Cushion		1
P3	Support Panel	 (P3)	1
P4	Left Front Leg	 (P4)	1
P5	Right Front Leg	 (P5)	1
P6	Left Back Leg	 (P6)	1
P7	Right Back Leg	 (P7)	1



Hardware List

Item	Description		QTY
H1	Long Bolts Ø1/4"*2-1/2"		8
H2	Short Bolts Ø1/4"*1-1/2"		8
H3	Lock Washers Ø1/4"		12
H4	Big Flat Washers Ø1/4"x19mm		12
H5	Small Flat Washers Ø1/4"x12mm		4
H6	Allen Wrench 1/4"		1
H7	Plastic Caps		4

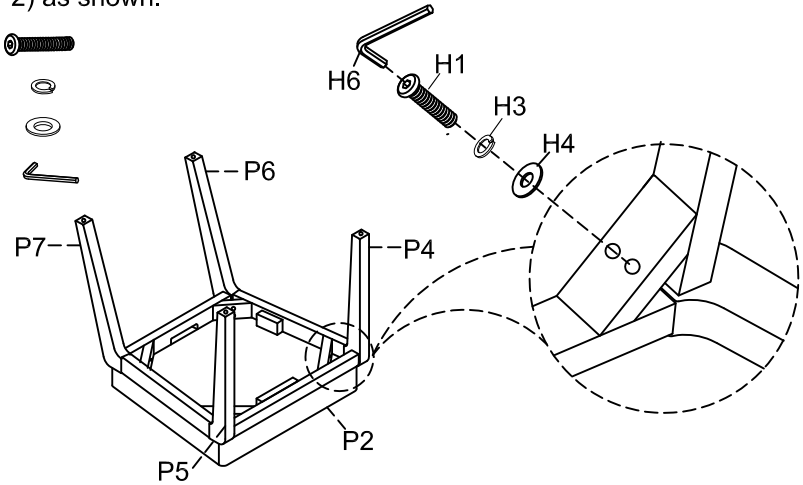
DISCLAIMER:

WHEN PROPERLY ASSEMBLED, THIS ITEM IS SAFE FOR INTENDED USE. SELLER IS NOT LIABLE FOR ANY DAMAGES RESULTING FROM ITEM BEING IMPROPERLY ASSEMBLED AFTER PURCHASE.

Assembly Procedures:

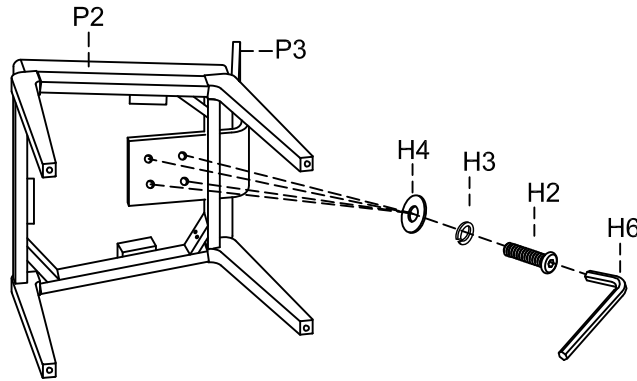
Step 1: Assemble the chair on a flat and soft surface either on a carpet or cloth to prevent the finish from scratching. Attach the left front leg (P4) and right front leg (P5) and left back leg (P6) and right back leg (P7) to the bottom of seat frame with cushion (P2) as shown.

- (H1)x8 Long Bolts $\text{\O}1/4'' \times 2-1/2''$
- (H3)x8 Lock Washers $\text{\O}1/4''$
- (H4)x8 Big Flat Washers $\text{\O}1/4'' \times 19\text{mm}$
- (H6)x1 Allen Wrench $1/4''$



Step 2. Attach the support panel (P3) to seat frame with cushion (P2) as shown.

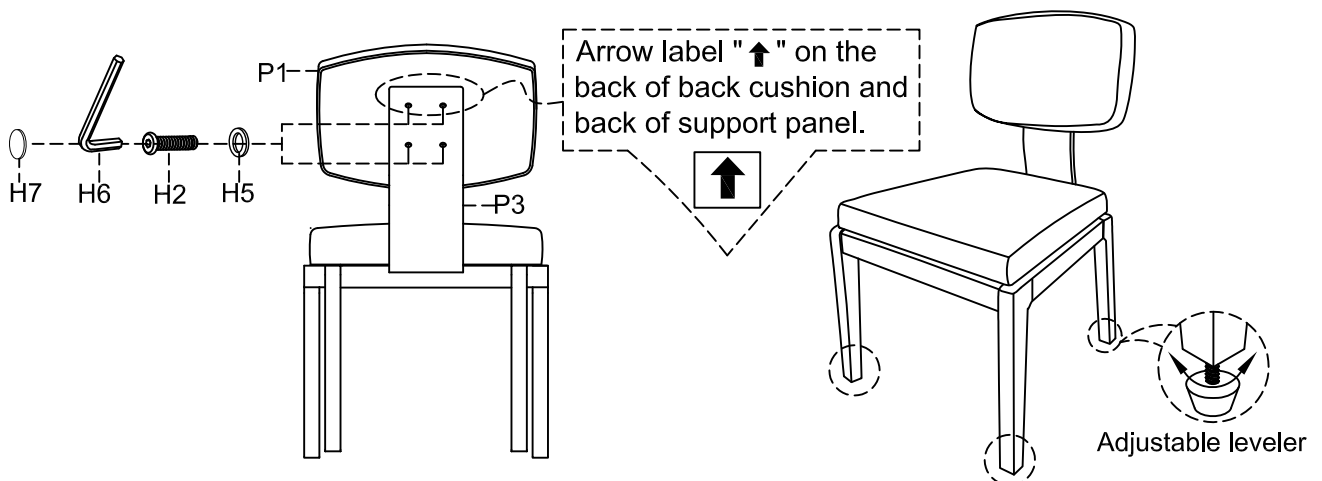
- (H2)x4 Short Bolts $\text{\O}1/4'' \times 1-1/2''$
- (H3)x4 Lock Washers $\text{\O}1/4''$
- (H4)x4 Big Flat Washers $\text{\O}1/4'' \times 19\text{mm}$
- (H6)x1 Allen Wrench $1/4''$



Step 4. Turn the assembled chair to an upright position. Attach the back cushion (P1) to the assembled support panel (P3), securely tighten all bolts with Allen wrench (H6), then attach the plastic cap (H7) to the support panel (P3) as shown. Assembly is complete.

Leveler adjustment: Levelers are pre-installed on the legs and adjust as needed to make sure the chair is leveled. **Failure to follow these instructions may cause the bolts to misalign during assembly.**

- (H2)x4 Short Bolts $\text{\O}1/4'' \times 1-1/2''$
- (H5)x4 Small Flat Washers $\text{\O}1/4'' \times 12\text{mm}$
- (H6)x1 Allen Wrench $1/4''$
- (H7)x4 Plastic Caps



ADDITIONAL NOTE ABOUT SAFETY: BOLTS MAY LOOSEN DURING NORMAL EVERYDAY USE. THEY SHOULD BE PERIODICALLY INSPECTED AND RE-TIGHTENED TO PREVENT DAMAGE OR INJURY. ALWAYS CHECK TO ENSURE THAT ALL HARDWARE IS KEPT TIGHTENED.

Thank you for your purchase