

ASSEMBLY INSTRUCTIONS

Description: Colfax Counter & Bar Stool







Important safety instructions :

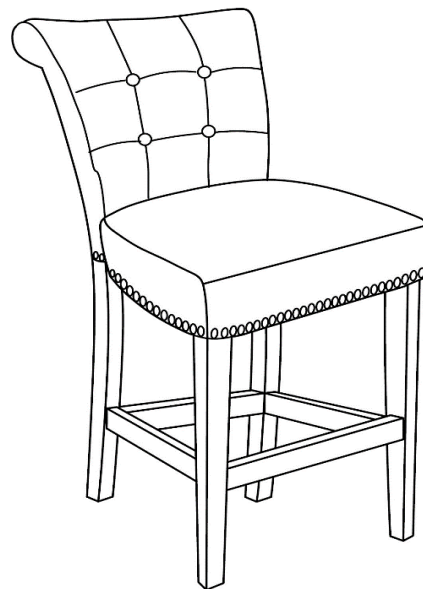
- Please read carefully all instructions before assembly.
- For your safety and ease, assembly by two or more adults is recommended.
- Keep instructions for future use.

Pre-assembly:







- Do not discard any contents until assembly is complete to avoid accidentally discarding small parts or hardware.
- Remove all parts and hardware from box along with any plastic protective packaging.

Parts List

Item	Description		QTY
P1	Stool Back		1
P2	Seat Cushion		1
P3	Left Stretcher		1
P4	Right Stretcher		1
P5	Front Stretcher		1
P6	Front Legs		2



Hardware List

Item	Description		QTY
H1	Long Bolts $\varnothing 5/16"$ x 3"		4
H2	Short Bolts $\varnothing 5/16"$ x 2"		5
H3	Lock Washers 5/16"		9
H4	Flat Washers 5/16"		9
H5	Allen Wrench 5/16"		1
H6	Screw #8 x 1-1/2"		6

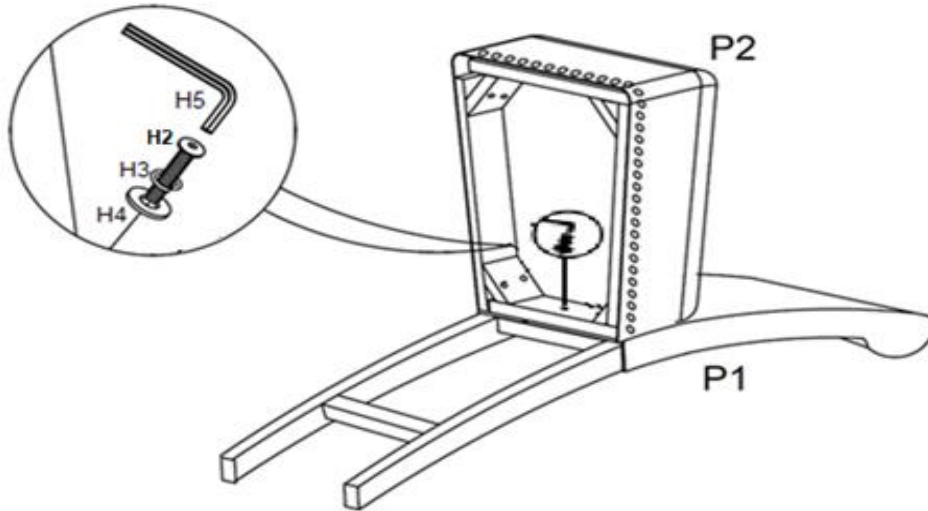
DISCLAIMER :

**WHEN PROPERLY ASSEMBLED, THIS ITEM IS SAFE FOR INTENDED USE.
SELLER IS NOT LIABLE FOR ANY DAMAGES RESULTING FROM ITEM BEING IMPROPERLY ASSEMBLED AFTER PURCHASE.**

Assembly Procedures:

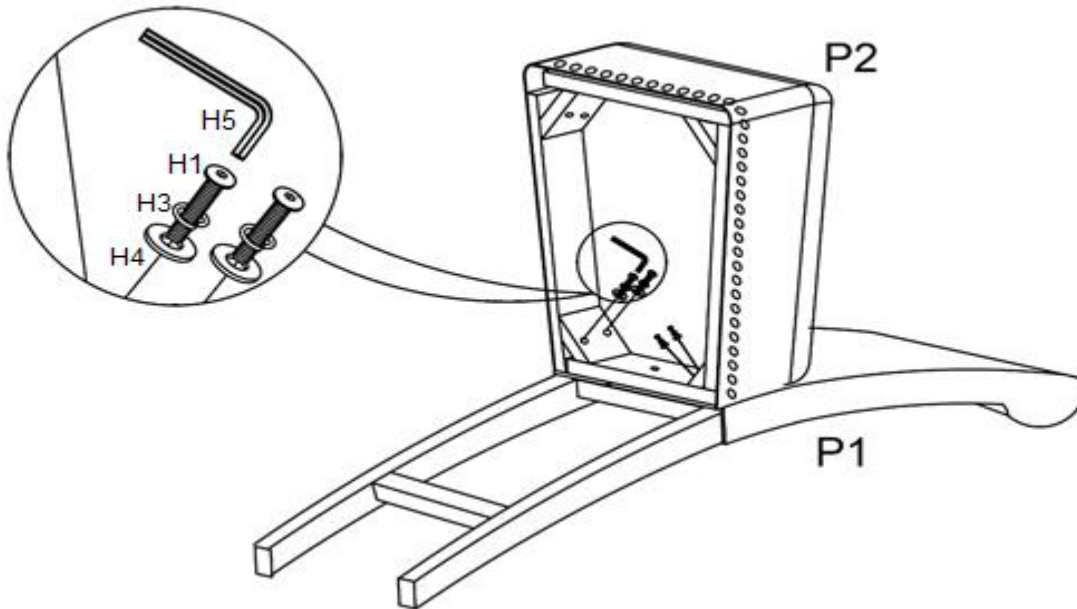
Step 1.

Assemble the stool on a flat, soft surface such as carpet or cloth to prevent scratching the finish. Attach seat cushion (P2) to stool back (P1) using bolt (H2), lock washer (H3) and flat washer (H4). Loosely tighten the bolts with Allen wrench (H5).



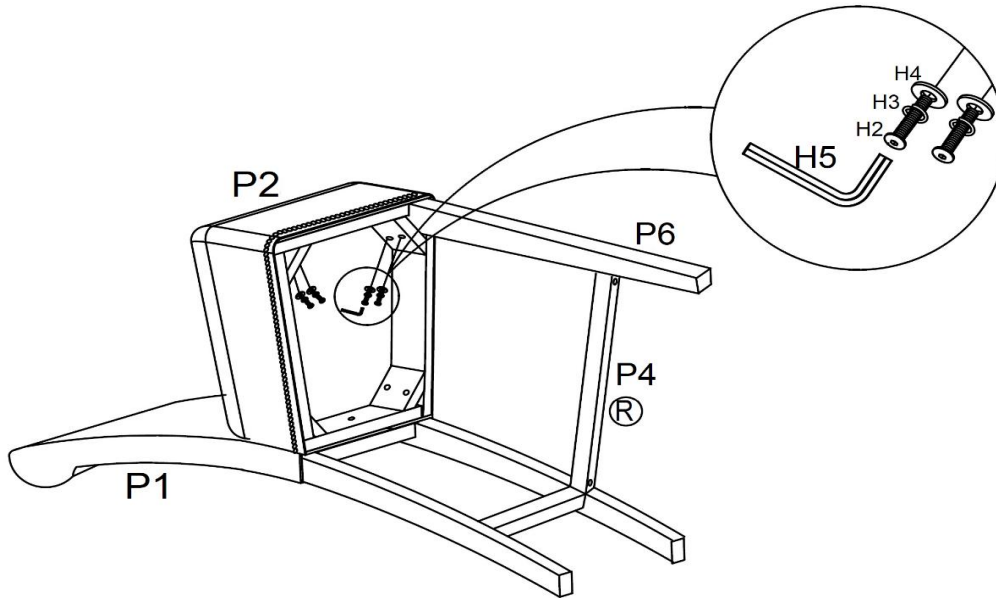
Step 2:

Attach seat cushion (P2) to stool back (P1) using bolts (H1), lock washers (H3) and flat washers (H4). Loosely tighten the bolts with Allen wrench (H5).



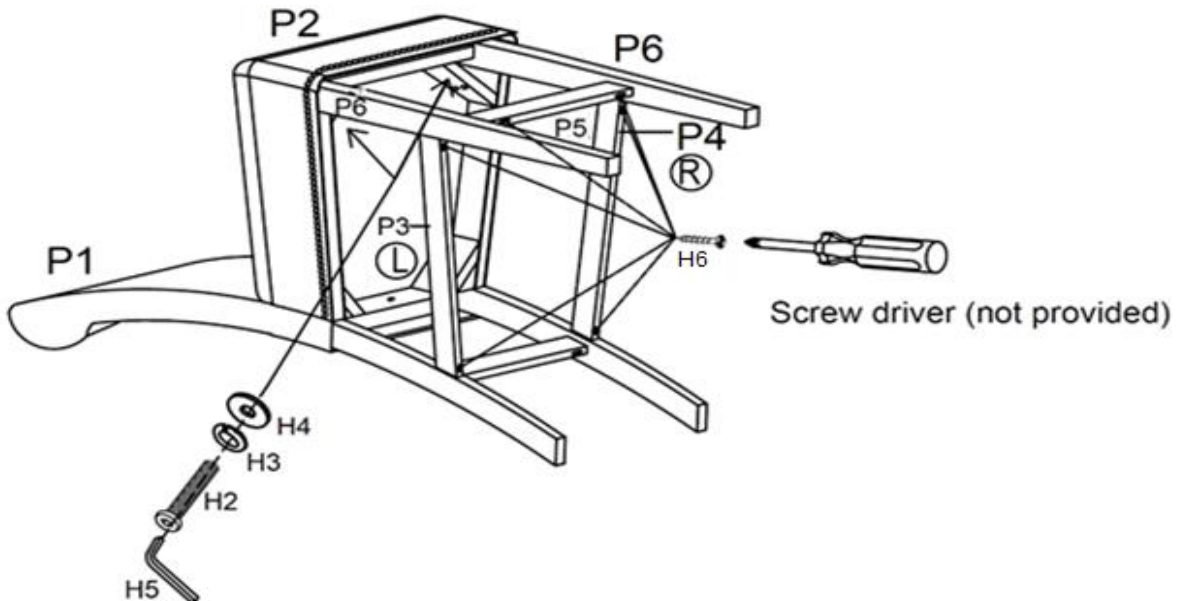
Step 3:

Insert right stretcher (P4) to the leg of stool back (P1) according to the label "R" on the leg of stool back and the front end of right stretcher (P4). Loosely attach front leg (P6) to the bottom of seat cushion (P2) and right stretcher (P4) using bolt (H2), lock washer (H3), flat washer (H4) and Allen Wrench (H5). Do not tighten the screws at this time .



Step 4 :

- 1) Insert left stretcher (P3) to the leg of counter stool back (P1) according to the label "L" on the legs of stool back and the front end of left stretcher (P3). Loosely attach the front leg (P6) to the seat cushion (P2) using bolt (H2), lock washer (H3), flat washer (H4) and Allen Wrench (H5). Do not tighten the screws at this time.
- 2) Insert the front stretcher (P5) between the front legs .
- 3) Securely tighten all bolts, but do not over tighten the bolts .
- 4) Tighten all screws (H6) through the stretcher (P3 ,P4,P5) to the front legs and stool back legs with screw driver (not provided) .
- 5) Assembly is complete.



ADDITIONAL NOTE ABOUT SAFETY : BOLTS MAY LOOSEN DURING NORMAL EVERYDAY USE. THEY SHOULD BE PERIODICALLY INSPECTED AND RE-TIGHTENED TO PREVENT DAMAGE OR INJURY. ALWAYS CHECK TO ENSURE THAT ALL HARDWARE IS KEPT TIGHTENED .

THANK YOU FOR YOUR PURCHASE