

Important safety instructions:

- Please read carefully all instructions before assembly.
- For your safety and ease, assembly by two or more adults is recommended.
- Keep instructions for future use.

Pre-assembly:

- Do not discard any content until assembly completed to avoid accidentally discarding small parts or hardware.
- Take out all parts and hardware from box.

Parts List

Item	Description	QTY
P1	Bench	1
P2	Legs	2

Hardware List

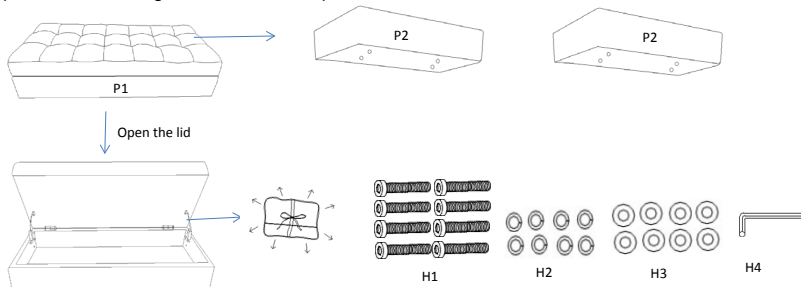
Item	Description	QTY
H1	Bolts φ5/16"×1-5/8"	8
H2	Lock Washers φ5/16"	8
H3	Flat Washers φ5/16"	8
H4	Allen Wrench φ5/16"	1

DISCLAIMER:

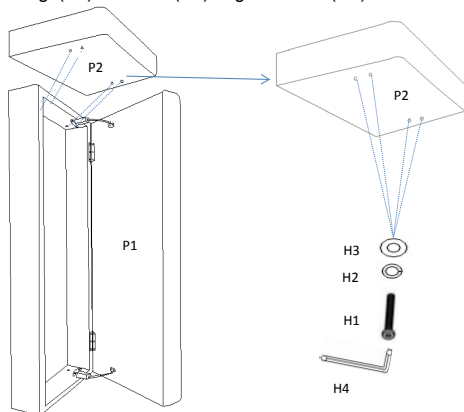
WHEN PROPERLY ASSEMBLED, THIS ITEM IS SAFE FOR INTENDED USE. SELLER IS NOT LIABLE FOR ANY DAMAGES RESULTING FROM ITEM BEING IMPROPERLY ASSEMBLED AFTER PURCHASE.

Assembly Procedures:

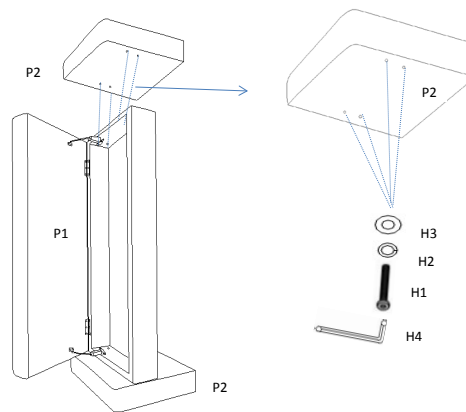
Step 1. Remove the legs from the bench, open the lid and remove the hardware.



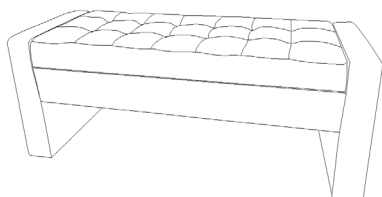
Step 2. Assemble the bench on a flat, soft surface such as carpet or cloth to prevent scratching. Using bolts (H1), lock washers (H2), flat washers (H3), connect legs (P2) to bench (P1). Tighten bolts (H1) with allen wrench (H4).



Step 3. Repeat step 2 to assemble the another side.



Step 4. Place bench upright on a level surface. Assembly is complete.



ADDITIONAL NOTE ABOUT SAFETY: BOLTS MAY LOOSEN DURING NORMAL EVERYDAY USE. THEY SHOULD BE PERIODICALLY INSPECTED AND RE-TIGHTENED TO PREVENT DAMAGE OR INJURY. ALWAYS CHECK TO ENSURE THAT ALL HARDWARE IS KEPT TIGHTENED.