

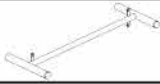
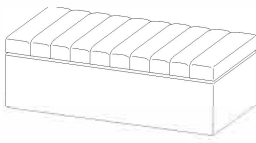
Important safety instructions:

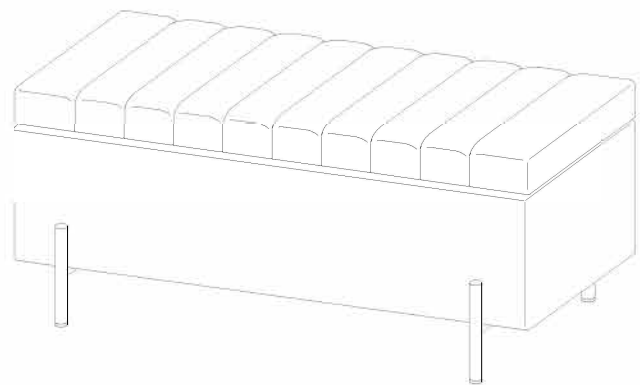
- Please carefully read all instructions before assembling.
- For your safety and ease, assembly by two or more adults is recommended.
- Keep instructions for future use.

Pre-assembly:

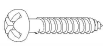
- Do not discard any contents until after assembly is complete to avoid accidentally discarding small parts or hardware.
- Remove all parts and hardware from box along with any plastic protective packaging.

Parts List

Item	Description		QTY
P1	Legs		2 Pcs
P2	Ottoman		1 Pc



Hardware List

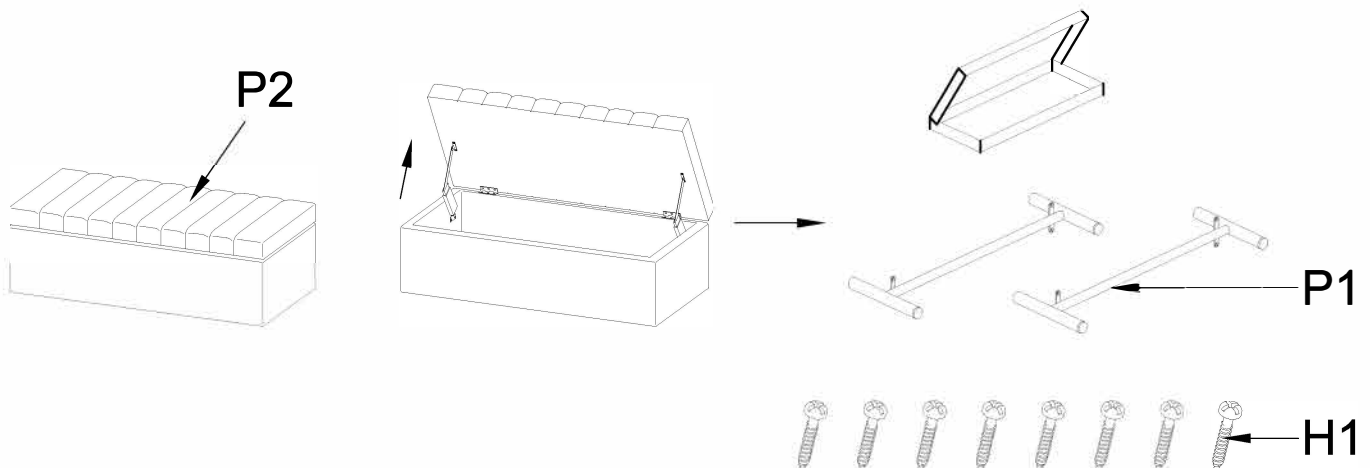
Item	Description		QTY
H1	P.H Screw M4 x 30mm		8 Pcs

DISCLAIMER:

WHEN PROPERLY ASSEMBLED, THIS ITEM IS SAFE FOR INTENDED USE. SELLER IS NOT LIABLE FOR ANY DAMAGES RESULTING FROM ITEM BEING IMPROPERLY ASSEMBLED AFTER PURCHASE.

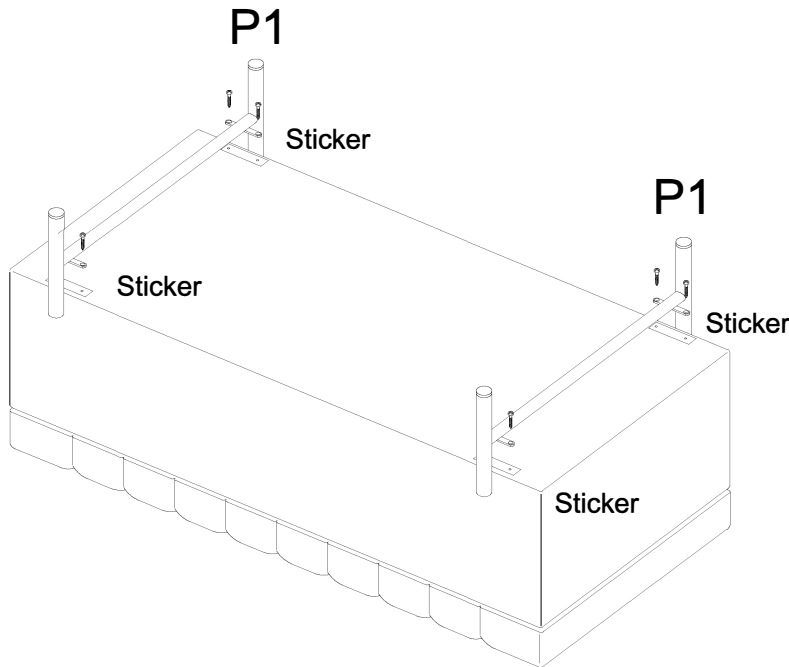
Assembly Procedures:

Step 1. Open the top of Ottoman (P2) and take out the legs (P1) from the inner box.

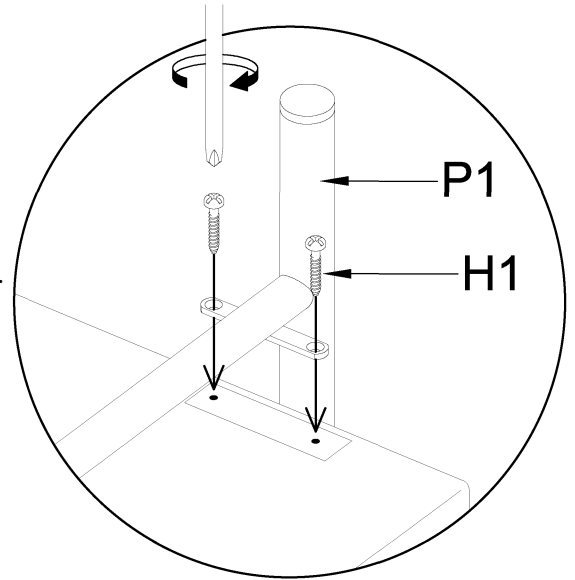


Step 2. Turn the Ottoman (P2) upside down and lay on soft, flat surface. Position the legs (P1) onto sticker. Align the holes with the mark on the sticker and attach legs with the PH Screw (H1) to the bottom of Ottoman (P2) by using Screw Driver (Not provided).

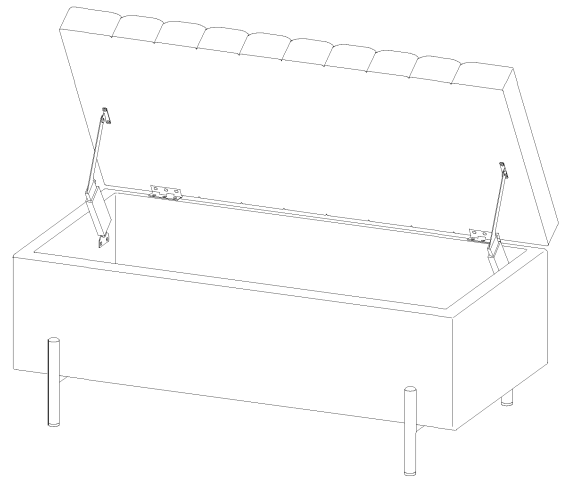
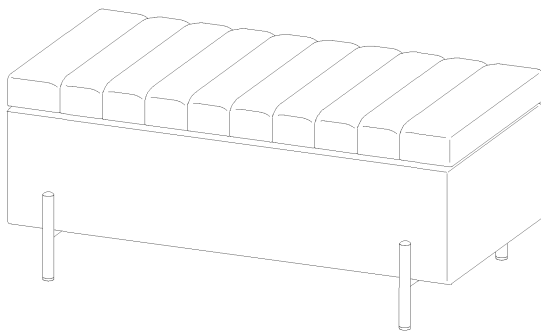
H1 P.H SCREW  8 PCS



SCREW DRIVER
(Not Provided)



Step 3. Turn the Ottoman over.



ADDITIONAL NOTE ABOUT SAFETY: BOLTS MAY LOOSEN DURING NORMAL EVERYDAY USE. THEY SHOULD BE PERIODICALLY INSPECTED AND RE-TIGHTENED TO PREVENT DAMAGE OR INJURY. ALWAYS CHECK TO BE SURE THAT ALL HARDWARE IS KEPT TIGHTENED.

Thank you for your purchase