

MADISON PARK® ASSEMBLY INSTRUCTIONS

Description: Tage Accent Chair




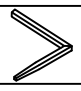

Important safety instructions:

- Please read carefully all instructions before assembly.
- For your safety and ease, assembly by two or more adults is recommended.
- Keep instructions for future use.








Pre-assembly:

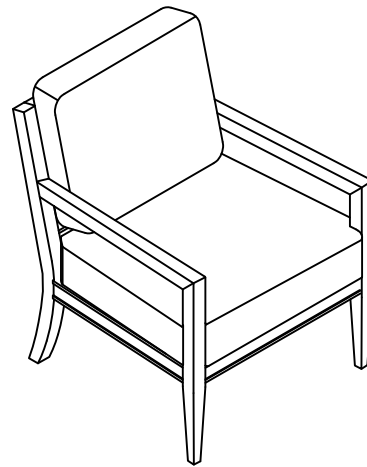
- Do not discard any content until assembly is complete to avoid accidentally discarding small parts or hardware.
- Take out all parts and hardware from box.

Parts List

Item	Description	QTY
P1	Seat Frame with Cushion 	1
P2	Chair Back 	1
P3	Left Arm with Leg 	1
P4	Right Arm with Leg 	1
P5	Pillow 	1

Hardware List

Item	Description	QTY
H1	Short Bolts $\varnothing 1/4"$ *1-3/4" 	4
H2	Medium Bolts $\varnothing 1/4"$ *2-1/2" 	4
H3	Long Bolts $\varnothing 1/4"$ *3-1/4" 	4
H4	Lock Washers $\varnothing 1/4"$ 	12
H5	Small Flat Washers $\varnothing 1/4"$ *12mm 	2
H6	Large Flat Washers $\varnothing 1/4"$ *19mm 	10
H7	Allen Wrench 1/4" 	1
H8	Wooden Plugs 	2



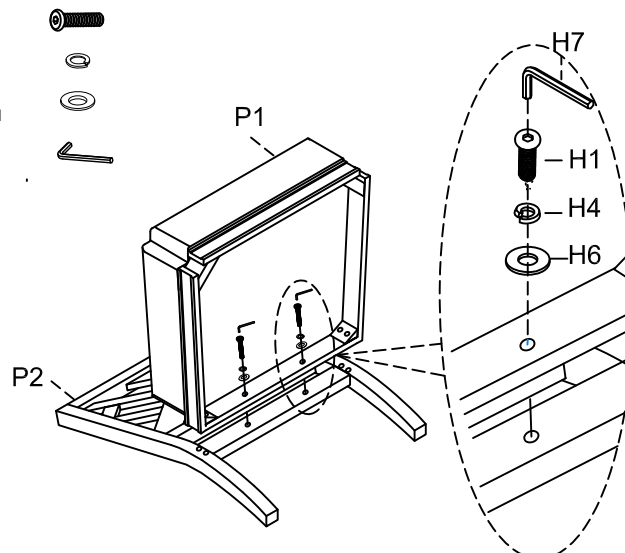
DISCLAIMER:

WHEN PROPERLY ASSEMBLED, THIS ITEM IS SAFE FOR INTENDED USE. SELLER IS NOT LIABLE FOR ANY DAMAGES RESULTING FROM ITEM BEING IMPROPERLY ASSEMBLED AFTER PURCHASE.

Assembly Procedures:

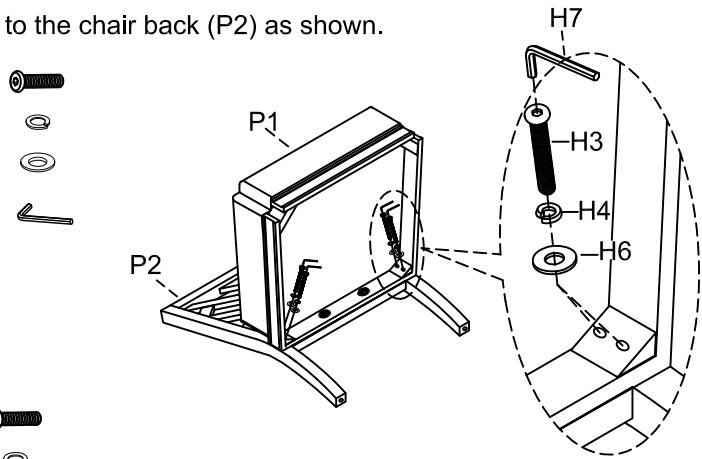
Step 1: Assemble the chair on a flat and soft surface either on a carpet or cloth to prevent the finish from scratching. Attach the seat frame with cushion (P1) to the chair back (P2) as shown.

- (H1)x2 Short Bolts $\varnothing 1/4"$ *1-3/4"
- (H4)x2 Lock Washers $\varnothing 1/4"$
- (H6)x2 Large Flat Washers $\varnothing 1/4"$ x19mm
- (H7)x1 Allen Wrench 1/4"



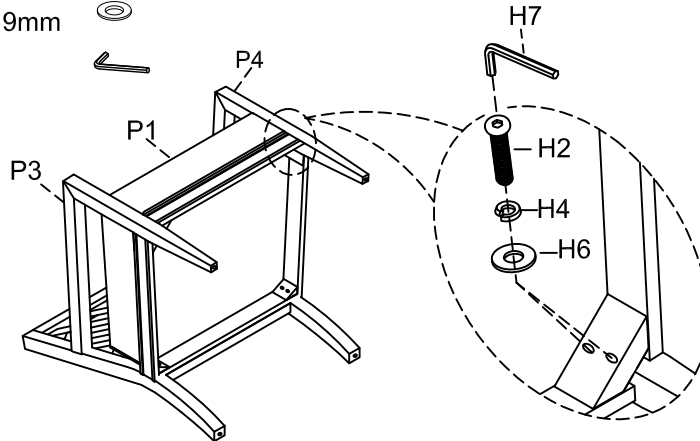
Step 2. Attach the seat frame with cushion (P1) to the chair back (P2) as shown.

- (H3)x4 Long Bolts $\text{\O}1/4'' \times 3-1/4''$
- (H4)x4 Lock Washers $\text{\O}1/4''$
- (H6)x4 Large Flat Washers $\text{\O}1/4'' \times 19\text{mm}$
- (H7)x1 Allen Wrench $1/4''$



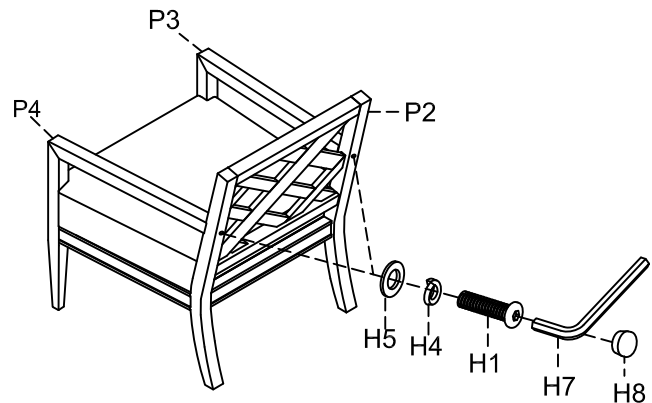
Step 3. Attach the left arm with Leg (P3) and right arm with Leg (P4) to the seat frame with cushion (P1) as shown.

- (H2)x4 Medium Bolts $\text{\O}1/4'' \times 2-1/2''$
- (H4)x4 Lock Washers $\text{\O}1/4''$
- (H6)x4 Large Flat Washers $\text{\O}1/4'' \times 19\text{mm}$
- (H7)x1 Allen Wrench $1/4''$



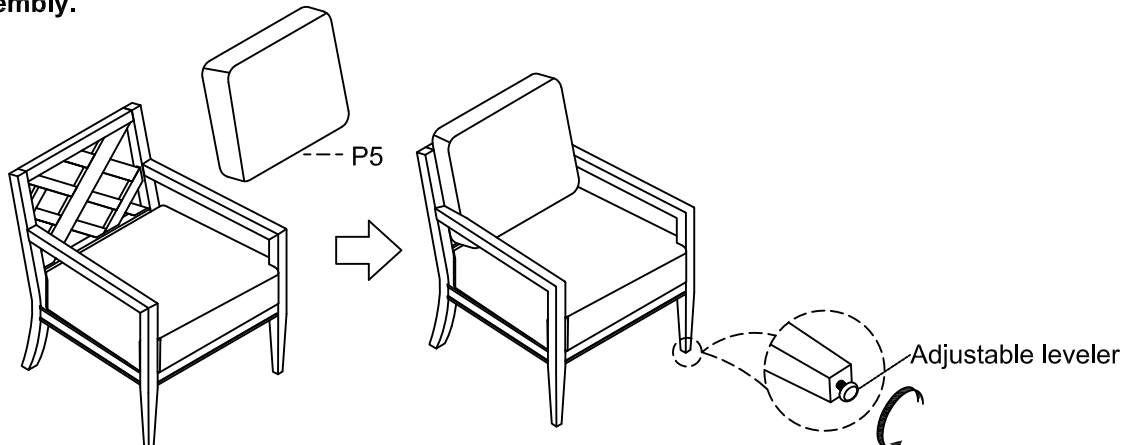
Step 4. Turn the assembled chair to an upright position, attach the left arm (P3) and right arm (P4) to the chair back (P2) as shown.

- (H1)x2 Short Bolts $\text{\O}1/4'' \times 1-3/4''$
- (H4)x2 Lock Washers $\text{\O}1/4''$
- (H5)x2 Small Flat Washers $\text{\O}1/4'' \times 12\text{mm}$
- (H7)x1 Allen Wrench $1/4''$
- (H8)x2 Wooden Plugs



Step 5. Make sure the chair is level and securely tighten all bolts with Allen wrench (H7). Put the pillow (P5) on the chair, assembly is complete.

Leveler adjustment: Levelers are pre-installed on the front legs and adjust as needed to make sure the chair is leveled. **Failure to follow these instructions may cause the bolts to misalign during assembly.**



ADDITIONAL NOTE ABOUT SAFETY: BOLTS MAY LOOSEN DURING NORMAL EVERYDAY USE. THEY SHOULD BE PERIODICALLY INSPECTED AND RE-TIGHTENED TO PREVENT DAMAGE OR INJURY. ALWAYS CHECK TO ENSURE THAT ALL HARDWARE IS KEPT TIGHTENED.

Thank you for your purchase