

PARTS LIST

No.	DESCRIPTION	IMAGE	QTY
P1	LEFT TOP		1
P2	RIGHT TOP		1
P3	APRON		2
P4	LEGS		2
P5	STRETCHER		1

HARDWARE LIST

No.	DESCRIPTION	IMAGE	QTY
H1	BOLT (ø1/4" x 60mm)		16
H2	BOLT (ø1/4" x 20mm)		8
H3	BOLT (ø5/16" x 70mm)		2
H4	HEX NUT (ø5/16")		2
H5	SPRING WASHER (ø1/4" x 11mm)		24
H6	FLAT WASHER (ø1/4" x 16mm)		24
H7	ALLEN KEY (M4 x 60mm)		1
H8	ARC WASHER (ø5/16")		2
H9	WRENCH (M12 x 90mm)		1

NOTE: PO # is located underneath/ at the back side of each item.

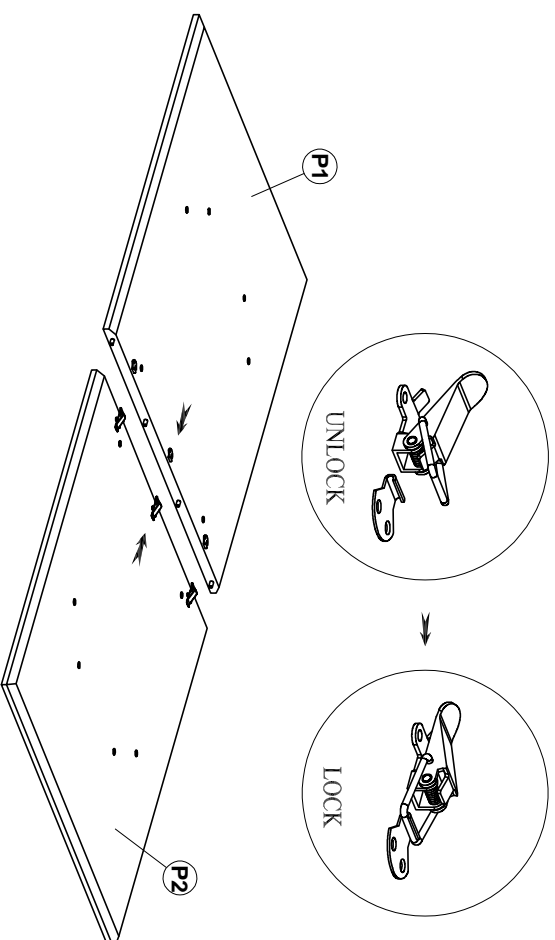
Please be prepared to provide this # should any claim be necessary.

CAUTION: Item is heavy. Assembly should be performed by two people.

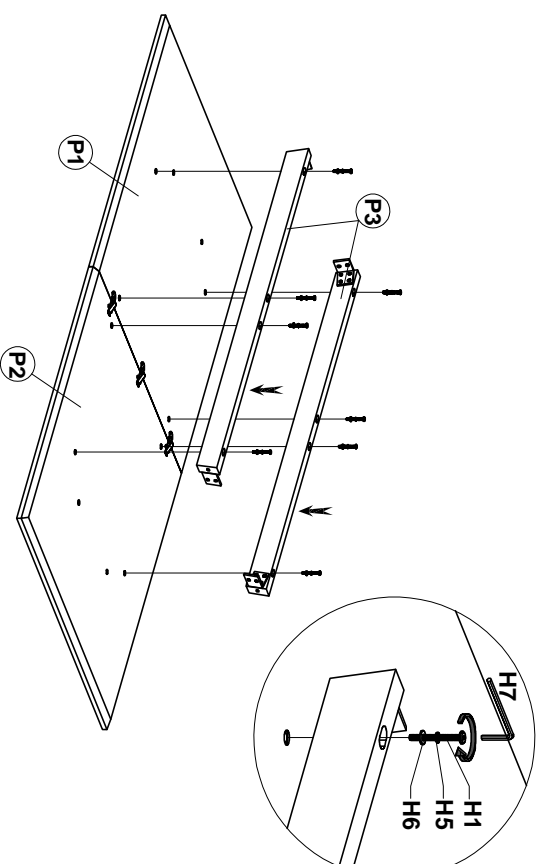
DISCLAIMER:

When properly assembled, this item is safe for intended use. Seller is not liable for any damages resulting from item being improperly assembled after purchase.

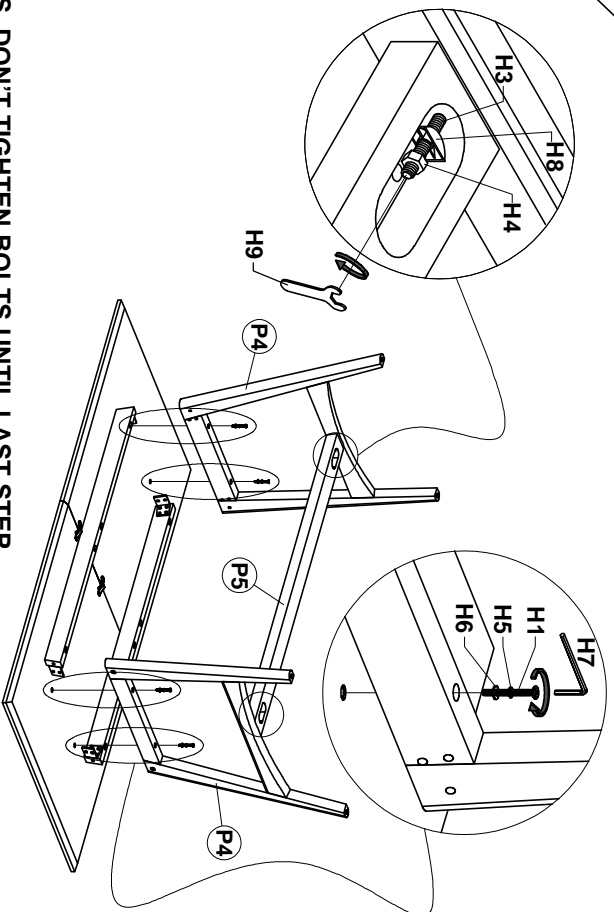
1



2

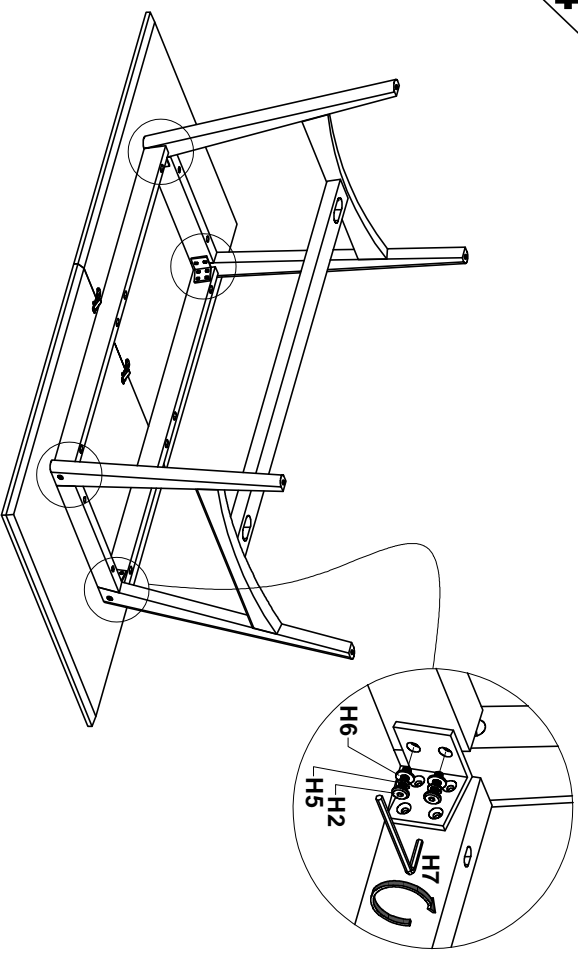


3

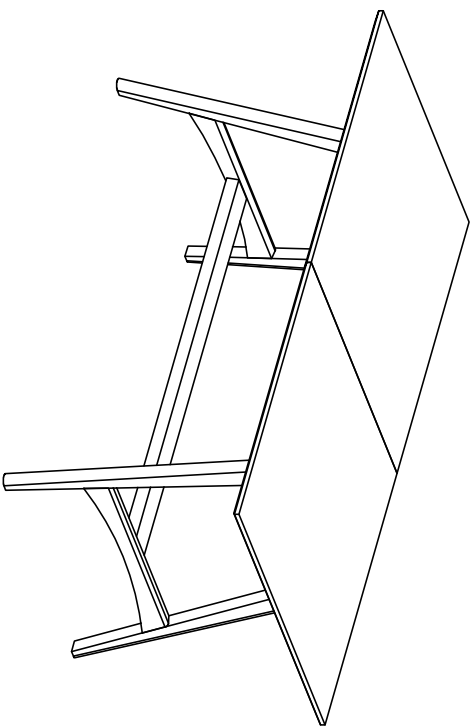


PLS, DON'T TIGHTEN BOLTS UNTIL LAST STEP.

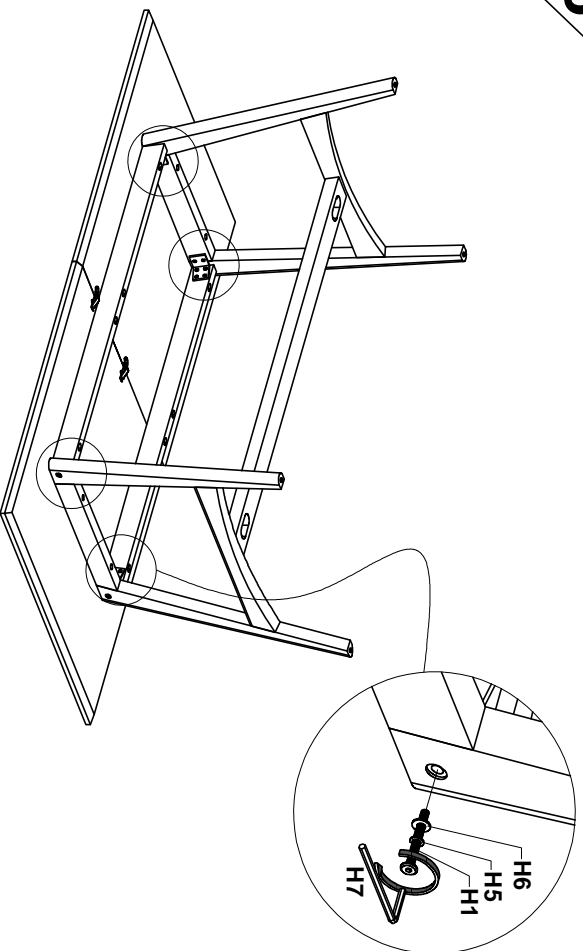
4



6



5



ASSEMBLY COMPLETED