





### Important safety instructions:

- Please read carefully all instructions before assembly.
- For your safety and ease, assembly by two or more adults is recommended.
- Keep instructions for future use.






### Pre-assembly:

- Do not discard any content until assembly is complete to avoid accidentally discarding small parts or hardware.
- Take out all parts and hardware from box.

### Parts List

Item	Description	QTY
P1	Table Top 	1
P2	Tray 	1
P3	Metal Leg A 	1
P4	Metal Legs B 	2

### Hardware List


Item	Description	QTY
H1	Bolts Ø1/4" x 3/4" 	10
H2	Bolts Ø1/4" 1-3/8" 	4
H3	Lock Washers Ø1/4" 	14
H4	Flat Washers Ø1/4" 	14
H5	Allen Wrench 	1

### DISCLAIMER:

WHEN PROPERLY ASSEMBLED, THIS ITEM IS SAFE FOR INTENDED USE. SELLER IS NOT LIABLE FOR ANY DAMAGES RESULTING FROM ITEM BEING IMPROPERLY ASSEMBLED AFTER PURCHASE.

### Assembly Procedures:

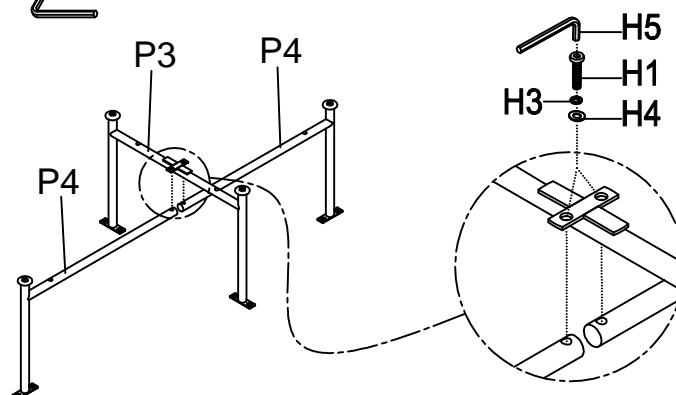
Step 1: Assemble the table on a flat, soft surface such as a carpet or cloth to prevent scratching the finish. Attach two Metal Legs B (P4) to Metal Leg A (P3) as shown below.

(H1)x2 Bolts Ø1/4" x 3/4" 





(H3)x2 Lock Washers Ø1/4" 

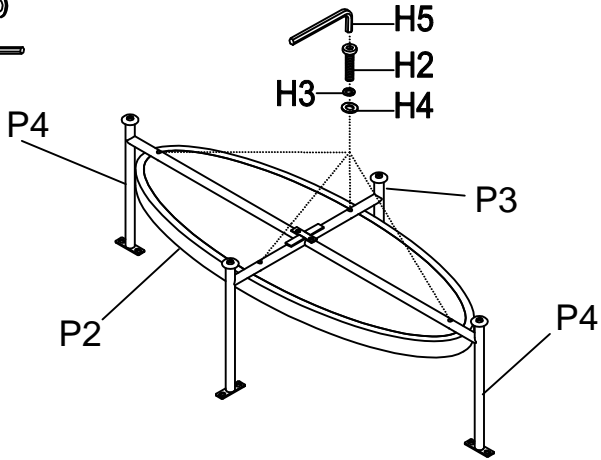
(H4)x2 Flat Washers Ø1/4" 

(H5)x1 Allen Wrench 







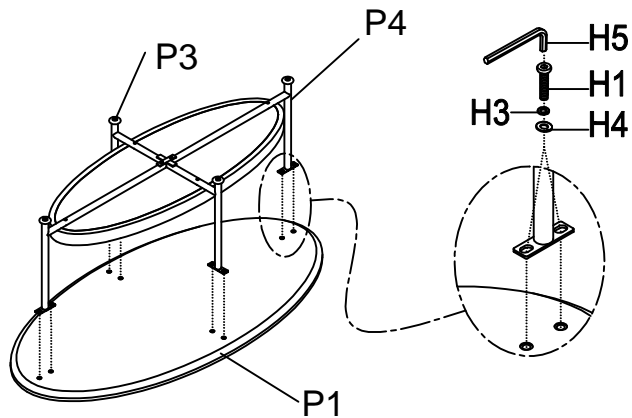
Step 2: Loosely attach Tray (P2) to Metal Leg A (P3) and Metal Legs B (P4) as shown below.

- (H2)x4 Bolts  $\text{\O}1/4"$  x 1-3/8" 
- (H3)x4 Lock Washers  $\text{\O}1/4"$  
- (H4)x4 Flat Washers  $\text{\O}1/4"$  
- (H5)x1 Allen Wrench 

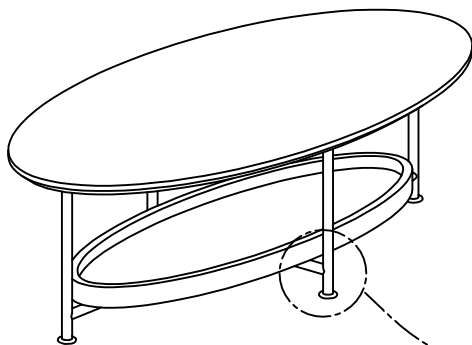


Step 3: Attach Metal Leg A (P3) and Metal Legs B (P4) to Table Top (P1) as shown below. Securely tighten all bolts by Allen Wrench (H5).

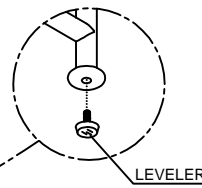
- (H1)x8 Bolts  $\text{\O}1/4"$  x 3/4" 
- (H3)x8 Lock Washers  $\text{\O}1/4"$  
- (H4)x8 Flat Washers  $\text{\O}1/4"$  
- (H5)x1 Allen Wrench 



Step 4: Turn the assembled table to an upright position. Assembly is complete.



To adjust the adjustable leveler. If there is a gap between a leg and the floor, please adjust the adjustable leveler up or down under each leg.



ADDITIONAL NOTE ABOUT SAFETY: BOLTS MAY LOOSEN DURING NORMAL EVERYDAY USE. THEY SHOULD BE PERIODICALLY INSPECTED AND RE-TIGHTENED TO PREVENT DAMAGE OR INJURY. ALWAYS CHECK TO ENSURE THAT ALL HARDWARE IS KEPT TIGHTENED.

Thank you for your purchase