



ASSEMBLY INSTRUCTIONS

Description: BELDEN CASTERED COFFEE TABLE



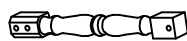
Important safety instructions:

- Please read carefully all instructions before assembly.
- For your safety and ease, assembly by two or more adults is recommended.
- Keep instructions for future use.





Pre-assembly:

- Do not discard any content until assembly is complete to avoid accidentally discarding small parts or hardware.
- Take out all parts and hardware from box.

Parts List

Item	Description	QTY
P1	Table Top 	1
P2	Shelf 	1
P3	Legs 	4

Hardware List





Item	Description	QTY
H1	Bolts Ø5/16" x 2" 	12
H2	Lock Washers Ø5/16" 	12
H3	Flat Washers Ø5/16" 	12
H4	Allen Key 	1

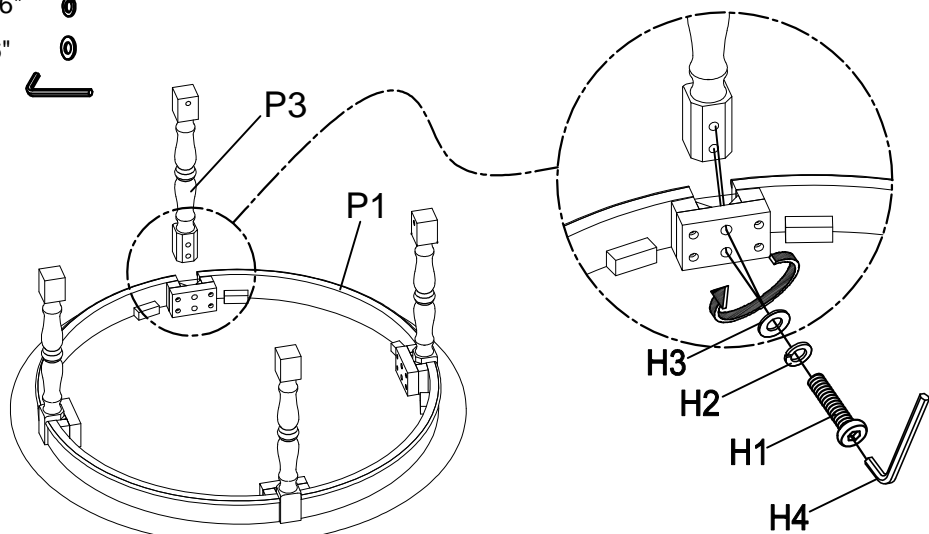
DISCLAIMER:

WHEN PROPERLY ASSEMBLED, THIS ITEM IS SAFE FOR INTENDED USE. SELLER IS NOT LIABLE FOR ANY DAMAGES RESULTING FROM ITEM BEING IMPROPERLY ASSEMBLED AFTER PURCHASE.





Assembly Procedures:

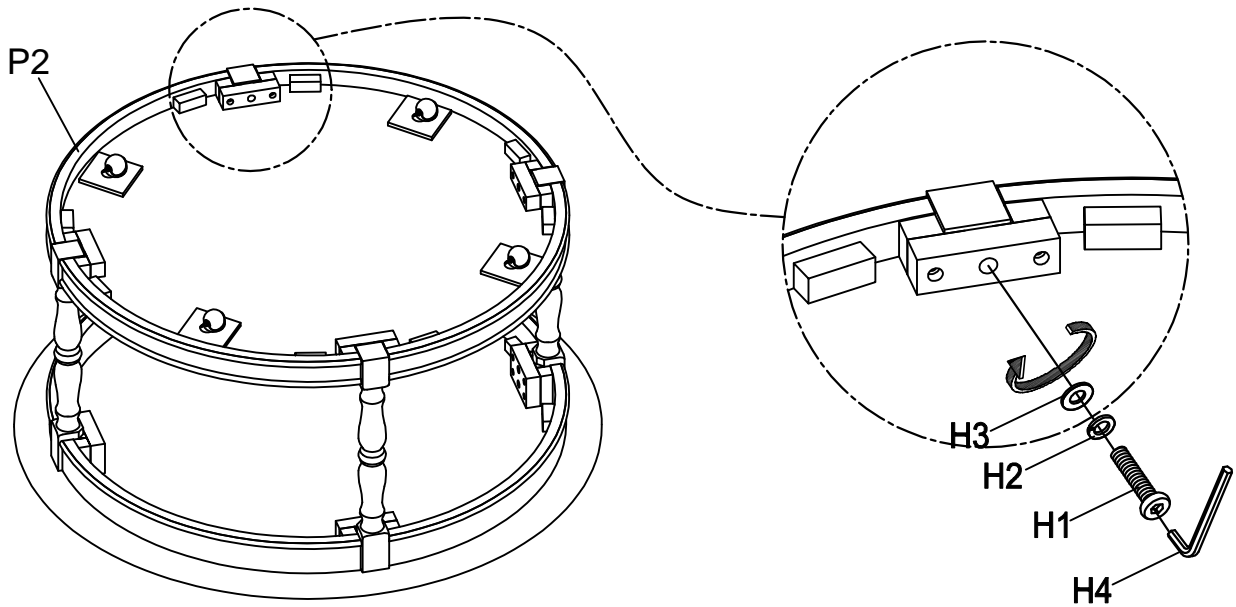
Step 1: Assemble the table on a flat, soft surface such as a carpet or cloth to prevent scratching the finish. Attach the Legs (P3) to the Table Top (P1) as shown below.

- (H1)x8 Bolts Ø 5/16" x 2" 
- (H2)x8 Lock Washers Ø 5/16" 
- (H3)x8 Flat Washers Ø 5/16" 
- (H4)x1 Allen Key 

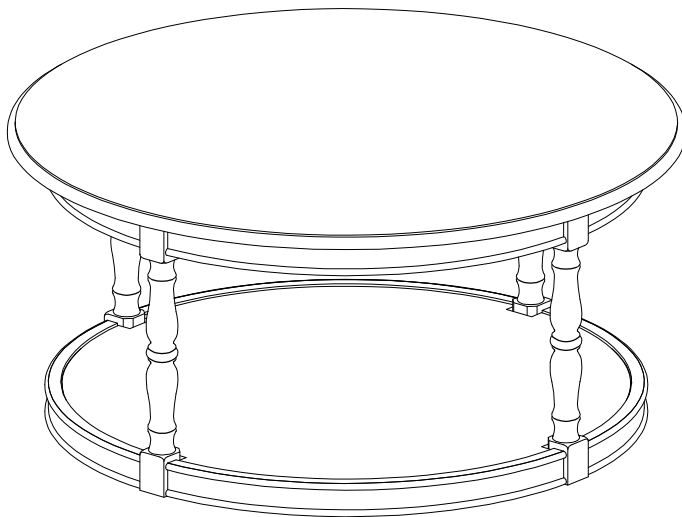


Step 2: Attach the Shelf (P2) to the Legs (P3) as shown below.

- (H1)x4 Bolts \varnothing 5/16" x 2" 
- (H2)x4 Lock Washers \varnothing 5/16" 
- (H3)x4 Flat Washers \varnothing 5/16" 
- (H4)x1 Allen Key 



Step 3: Turn the assembled table to an upright position. Assembly is complete.



ADDITIONAL NOTE ABOUT SAFETY: BOLTS MAY LOOSEN DURING NORMAL EVERYDAY USE. THEY SHOULD BE PERIODICALLY INSPECTED AND RE-TIGHTENED TO PREVENT DAMAGE OR INJURY. ALWAYS CHECK TO ENSURE THAT ALL HARDWARE IS KEPT TIGHTENED.

Thank you for your purchase